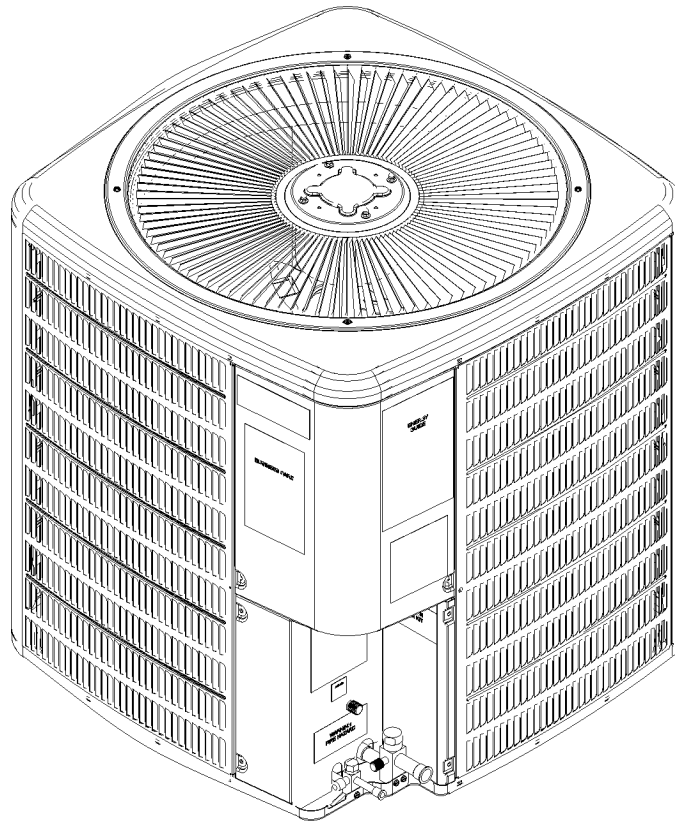


# REPAIR PARTS

## SSZ 16 SEER R410A Remote Heat Pump Unit

SSZ160241AA  
SSZ160241AB  
SSZ160361AA  
SSZ160361AB  
SSZ160481AA  
SSZ160481AB  
SSZ160601AA  
SSZ160601AB



Made in the USA by:  
Goodman Manufacturing Company, L.P.  
2550 North Loop West, Suite 400  
Houston Texas 77092

[www.goodmanmfg.com](http://www.goodmanmfg.com) [www.amana-hac.com](http://www.amana-hac.com)

RP-362A  
October 2006

# Important Information

---

## Index

Functional Parts List .....	3
Illustration and Parts .....	4 - 9

*Views shown are for parts illustrations only, not servicing procedures*

This system uses R410A refrigerant. If sealed system work is required, use approved equipment and follow service procedures. Refer to Service Manual or Installation Instructions for service procedures.

Rev. A: Added "AB" models.

### Text Codes:

AR - As Required

NA - Not Available

NS - Not Shown

00000000 - See Note

QTY - Quantity Example (QTY 3) (If Quantity not shown, Quantity = 1)

M - Model Example (M1) (If M Code not shown, then part is used on all Models)

### Expanded Model Nomenclature:

Example M1 - Model#1 M2 - Model#2 M3 - Model#3
---

Goodman Manufacturing Company, L.P. is not responsible for personal injury or property damage resulting from improper service. Review all service information before beginning repairs.

Warranty service must be performed by an authorized technician, using authorized factory parts. If service is required after the warranty expires, Goodman Manufacturing Company, L.P. also recommends contacting an authorized technician and using authorized factory parts.

Goodman Manufacturing Company, L.P. reserves the right to discontinue, or change at any time, specifications or designs without notice or without incurring obligations. Goodman® brand products are proudly made in the USA.

For assistance within the U.S.A. contact:  
Consumer Affairs Department  
Goodman Manufacturing Company, L.P.  
7401 Security Way  
Houston, Texas 77040  
877-254-4729-Telephone  
713-863-2382-Facsimile

For assistance outside the U.S.A. contact:  
International Division  
Goodman Manufacturing Company, L.P.  
7401 Security Way  
Houston, Texas 77040  
713-861-2500-Telephone  
713-863-2382-Facsimile

# Functional Parts

## Part

## No: Description:

Part No:	Description:	Part No:	Description:
0201R00076S	ASSY, SERVICE COIL (M5, M6, M7, M8)	B12825171	VALVE, SERVICE 3/8" OPEN
0201R00074S	ASSY, SERVICE COIL (M1, M2)	0151R00003P	VALVE, SERVICE 7/8" OPEN LEFT (M3, M4, M5, M6, M7, M8)
0201R00075S	ASSY, SERVICE COIL (M3, M4)	0151M00002	VALVE, TXV HCAE 3 ZX200 -R410A (M3, M4)
CAP050450370RS	CAPACITOR (M4, M6)	0151M00003	VALVE, TXV HCAE 5 ZX200 -R410A (M5, M6, M7, M8)
CAP050800370RT	CAPACITOR (M8)	0151M00004	VALVE, TXV HCAE1.5ZX200- R410A (M1, M2)
B94575300S	CAPACITOR 35/5/370 (M1, M2)		
B94577200S	CAPACITOR 45/5/370 (M3, M5)		
B94577600	CAPACITOR-METAL (M7)		
0151R00005	COMPENSATOR 16 OZ (M3, M4, M5, M6, M7, M8)		
0151R00006	COMPENSATOR 3.5OZ (M1, M2)		
B1488807S	COMPRESSOR SOUND BLANKET (M3, M4)		
B1488810S	COMPRESSOR SOUND BLANKET (M2)		
B1488806S	COMPRESSOR SOUND BLANKET (M1, M5, M6, M7, M8)		
ZP20K5EPFV830	COMPRESSOR, ZP20K5EPFV130 (M1, M2)		
ZP29K5EPFV830	COMPRESSOR, ZP29K5EPFV130 (M3, M4)		
ZP38K5EPFV830	COMPRESSOR, ZP38K5EPFV130 (M5, M6)		
ZPS51K4EPFV930	COMPRESSOR, ZPS51K4EPFV230 (M7, M8)		
B1360321	CONTACTOR 25 AMP, 125 LRA, 1P, 277V (M1, M2, M3, M4)		
B1360324	CONTACTOR 30 AMP, 150 LRA, 277V (M5, M6)		
B1360305	CONTACTOR 40 AMP, 240V (M7, M8)		
B1370803	DEFROST THERMOSTAT		
B1226008S	DEFROST TIMER		
20485201	FILTER DRIER, BI-FLOW		
0162M00045	FLOWRATOR-4 .188 HEAD (M1, M2)		
0162M00027	FLOWRATOR-6 .188 HEAD (M3, M4, M5, M6, M7, M8)		
0159R00002P	HARNESS, COMPRESSOR (M3, M4, M5, M6)		
20048207	HARNESS, COMPRESSOR (M1, M2)		
0131M00016PS	MOTOR 1/6 HP, 1 SP, 8 PL (M1, M2)		
0131M00012PS	MOTOR 1/6 HP, 1 SP, 8 PL (M3, M4, M5, M6)		
0131M00038	MOTOR 1/6 HP, 2 SP, 8 PL (M7, M8)		
10135604	RELAY (M7, M8)		
B1227318S	REVERSING VALVE (M3, M4, M5, M6, M7, M8)		
B1227316S	REVERSING VALVE (M1, M2)		
B1225022S	SOLENOID COIL		
B1225020	SOLENOID COIL CORD W/1/4"TERMINAL		
20322603	SWITCH, CUTOFF HIGH PRESSURE		
20340402	SWITCH, CUTOFF LOW PRESSURE		
11046711	THERMOSTAT DISC (M7, M8)		
B1787000	VALVE CORE		
0151R00002P	VALVE, SERVICE 3/4" OPEN LEFT (M1, M2)		

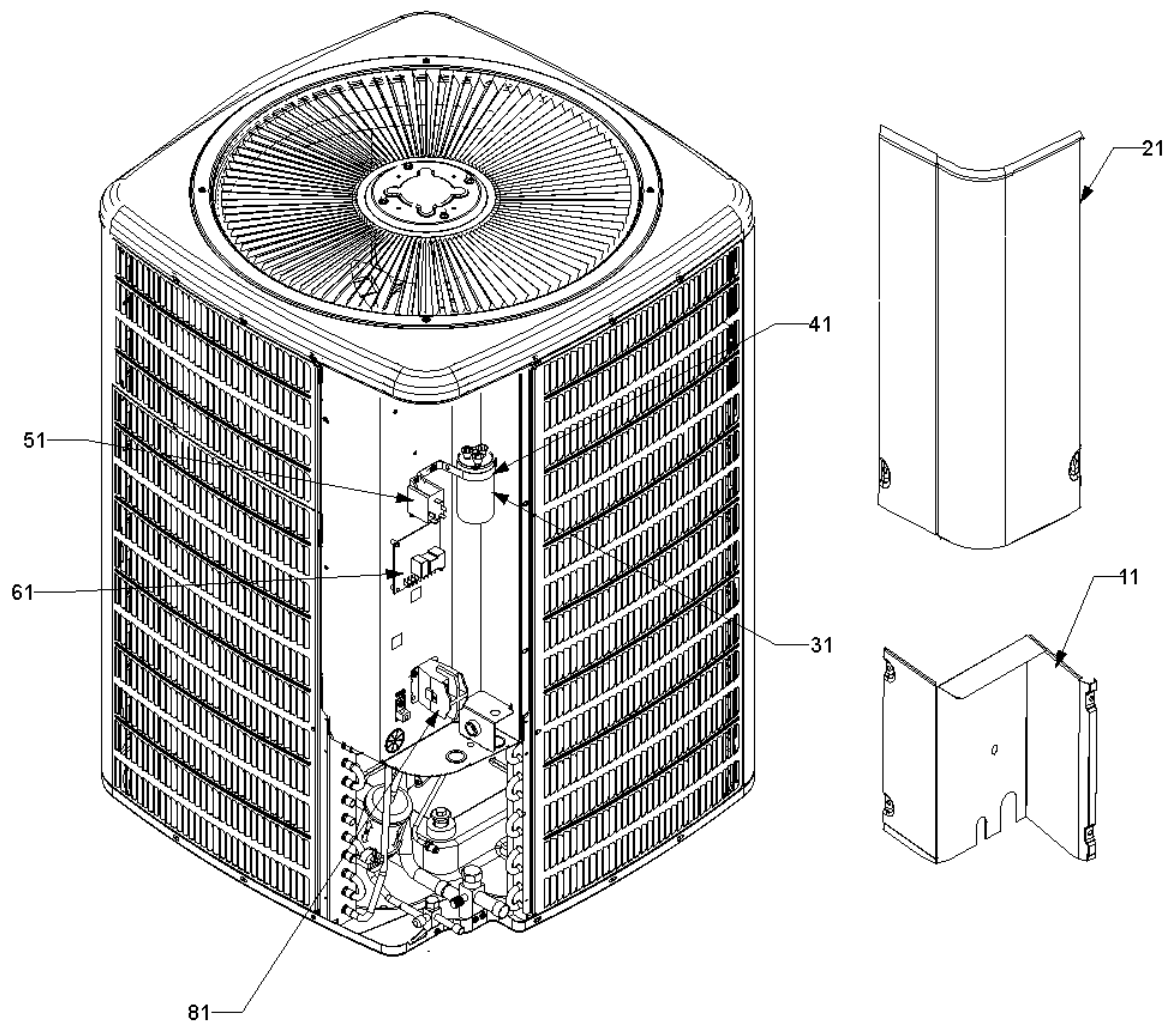
### SPECIAL PARTS

IO-259B	INSTALLATION INSTRUCTIONS
0161R00009P	NAMEPLATE, GOODMAN
RP-362A	REPAIR PARTS MANUAL

### Expanded Model Nomenclature

M1 - SSZ160241AA
M2 - SSZ160241AB
M3 - SSZ160361AA
M4 - SSZ160361AB
M5 - SSZ160481AA
M6 - SSZ160481AB
M7 - SSZ160601AA
M8 - SSZ160601AB

# Control Cover/Control Box



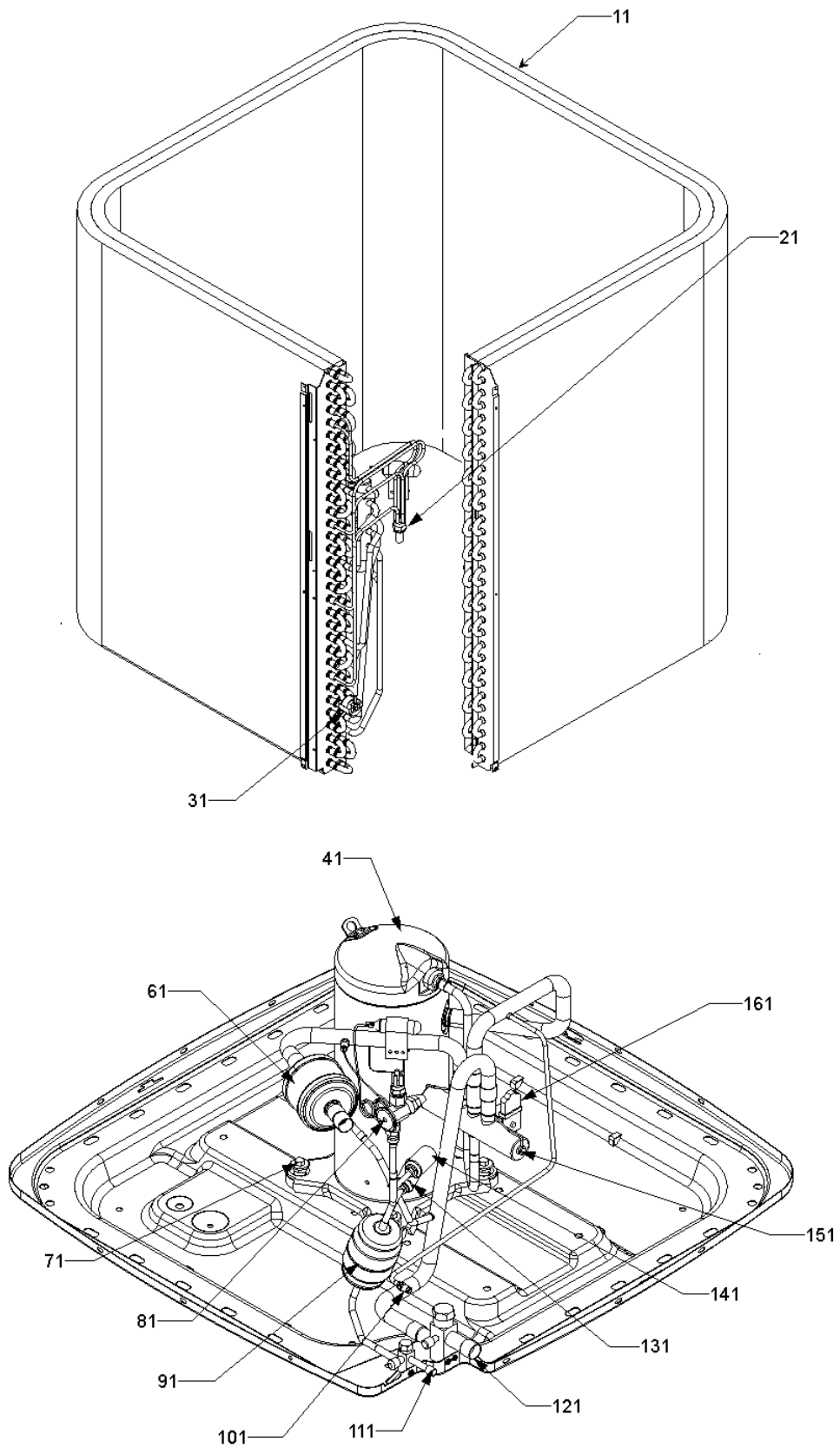
# Control Cover/Control Box

Ref. Part No:	No:	Description:	Ref. Part No:	No:	Description:
<i>Image 1:</i>					
11	4400205PDG	PANEL, LOWER ACCESS (M1, M2, M3, M4, M5, M6)			
11	4400209PDG	PANEL, LOWER ACCESS (M7, M8)			
21	4400064PDG	CONTROL COVER (M1, M3, M5)			
21	4400080PDG	CONTROL COVER (M7)			
21	0121R00054PDG	CONTROL COVER, LARGE (M8)			
21	0121R00053PDG	CONTROL COVER, SMALL (M2, M4, M6)			
31	CAP050450370RS	CAPACITOR (M4, M6)			
31	CAP050800370RT	CAPACITOR (M8)			
31	B94575300S	CAPACITOR 35/5/370 (M1, M2)			
31	B94577200S	CAPACITOR 45/5/370 (M3, M5)			
31	B94577600	CAPACITOR-METAL (M7)			
41	4400065	STRAP, CAPACITOR			
51	10135604	RELAY (M7, M8)			
61	B1226008S	DEFROST TIMER			
81	B1360321	CONTACTOR 25 AMP, 125 LRA, 1P, 277V (M1, M2, M3, M4)			
81	B1360324	CONTACTOR 30 AMP, 150 LRA, 277V (M5, M6)			
81	B1360305	CONTACTOR 40 AMP, 240V (M7, M8)			
NS	0161R00009P	NAMEPLATE, GOODMAN			

## Expanded Model Nomenclature

M1 - SSZ160241AA
M2 - SSZ160241AB
M3 - SSZ160361AA
M4 - SSZ160361AB
M5 - SSZ160481AA
M6 - SSZ160481AB
M7 - SSZ160601AA
M8 - SSZ160601AB

# Basepan/Compressor/Tubing Assembly



# Basepan/Compressor/Tubing Assembly

Ref. Part No: No:	Description:	Ref. Part No: No:	Description:
-------------------	--------------	-------------------	--------------

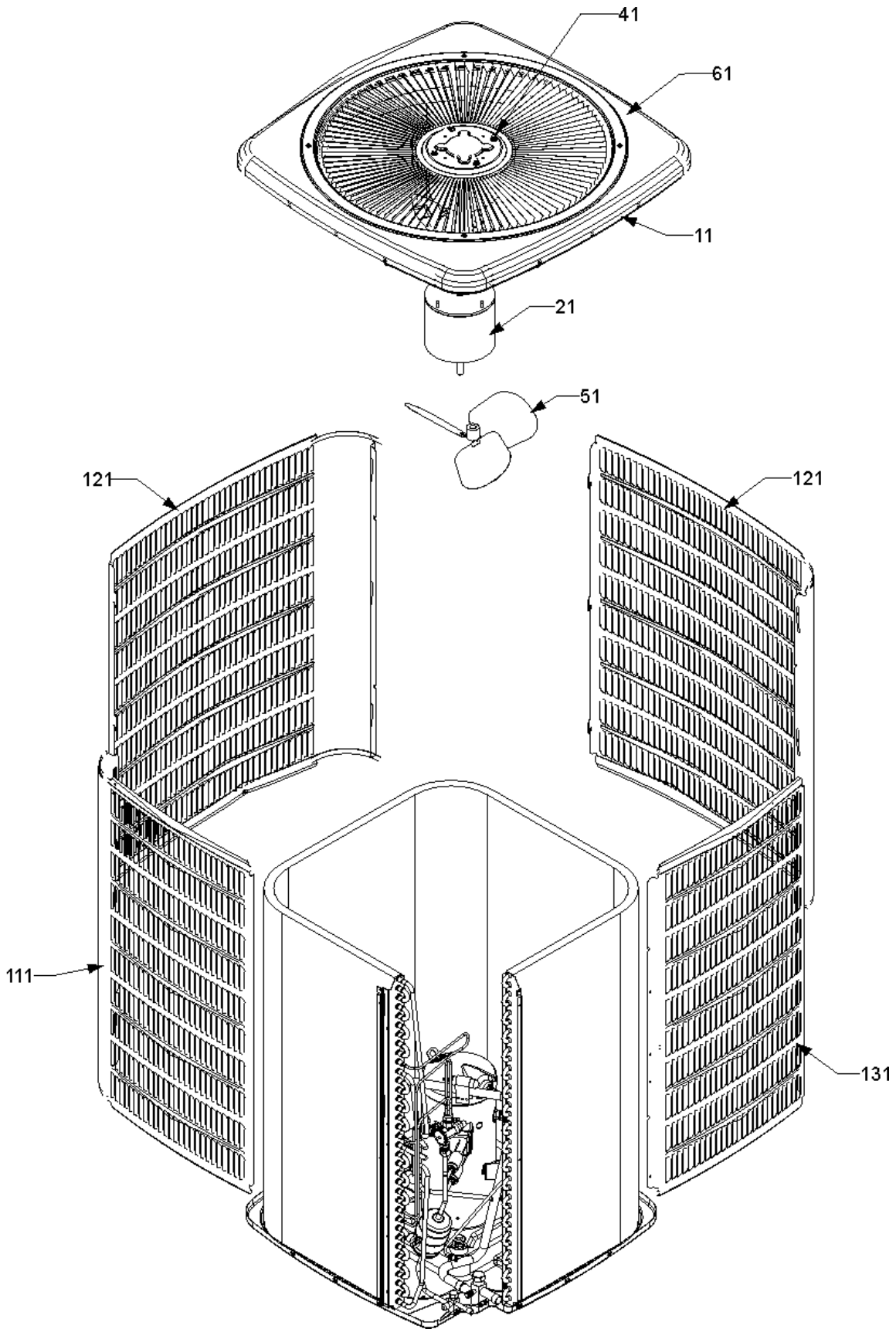
Image 1:

11	0201R00074S	ASSY, SERVICE COIL (M1, M2)
11	0201R00075S	ASSY, SERVICE COIL (M3, M4)
11	0201R00076S	ASSY, SERVICE COIL (M5, M6, M7, M8)
21	0162M00045	FLOWRATOR-4 .188 HEAD (M1, M2)
21	0162M00027	FLOWRATOR-6 .188 HEAD (M3, M4, M5, M6, M7, M8)
31	B1370803	DEFROST THERMOSTAT
41	ZP20K5EPFV830	COMPRESSOR, ZP20K5EPFV130 (M1, M2)
41	ZP29K5EPFV830	COMPRESSOR, ZP29K5EPFV130 (M3, M4)
41	ZP38K5EPFV830	COMPRESSOR, ZP38K5EPFV130 (M5, M6)
41	ZPS51K4EPFV930	COMPRESSOR, ZPS51K4EPFV230 (M7, M8)
61	0151R00005	COMPENSATOR 16 OZ (M3, M4, M5, M6, M7, M8)
61	0151R00006	COMPENSATOR 3.5OZ (M1, M2)
71	M0221641	SCREW-SHOULDER TF (QTY 4)
81	0151M00002	VALVE, TXV HCAE 3 ZX200 -R410A (M3, M4)
81	0151M00003	VALVE, TXV HCAE 5 ZX200 -R410A (M5, M6, M7, M8)
81	0151M00004	VALVE, TXV HCAE1.5ZX200- R410A (M1, M2)
91	20485201	FILTER DRIER, BI-FLOW
101	B1787000	VALVE CORE
111	B12825171	VALVE, SERVICE 3/8" OPEN
111	0151R00003P	VALVE, SERVICE 7/8" OPEN LEFT (M3, M4, M5, M6, M7, M8)
121	0151R00002P	VALVE, SERVICE 3/4" OPEN LEFT (M1, M2)
131	20340402	SWITCH, CUTOUT LOW PRESSURE
141	20322603	SWITCH, CUTOUT HIGH PRESSURE
151	B1227316S	REVERSING VALVE (M1, M2)
151	B1227318S	REVERSING VALVE (M3, M4, M5, M6, M7, M8)
161	B1225020	SOLENOID COIL CORD W/1/4" TERMINAL
NS	B1488806S	COMPRESSOR SOUND BLANKET (M1, M5, M6, M7, M8)
NS	B1488807S	COMPRESSOR SOUND BLANKET (M3, M4)
NS	B1488810S	COMPRESSOR SOUND BLANKET (M2)
NS	B1339533	GROMMET, COMPRESSOR (QTY 4)
NS	0159R00002P	HARNESS, COMPRESSOR (M3, M4, M5, M6)
NS	20048207	HARNESS, COMPRESSOR (M1, M2)
NS	B1225022S	SOLENOID COIL
NS	11046711	THERMOSTAT DISC (M7, M8)

Expanded Model Nomenclature

M1 - SSZ160241AA
M2 - SSZ160241AB
M3 - SSZ160361AA
M4 - SSZ160361AB
M5 - SSZ160481AA
M6 - SSZ160481AB
M7 - SSZ160601AA
M8 - SSZ160601AB

# Cabinet Top/Side Panels



# Cabinet Top/Side Panels

Ref. Part No: No:	Description:	Ref. Part No: No:	Description:
-------------------	--------------	-------------------	--------------

Image 1:

11	4400067PDG	PANEL, LOUVER TOP (M1)
11	4400092PDG	PANEL, LOUVER TOP, 35" (M3, M5, M7)
11	0121R00010PDG	PANEL, TOP 29" (M2)
11	0121R00012PDG	PANEL, TOP 35" (M4, M6, M8)
21	0131M00012PS	MOTOR 1/6 HP, 1 SP, 8 PL (M3, M4, M5, M6)
21	0131M00016PS	MOTOR 1/6 HP, 1 SP, 8 PL (M1, M2)
21	0131M00038	MOTOR 1/6 HP, 2 SP, 8 PL (M7, M8)
41	B1783803	NUT, ACORN (QTY 4)
51	10625738S	FAN BLADE 26" ALUM CCW (M3, M4, M5, M6, M7, M8)
51	B1086764S	FAN BLADE TYPE 2 (M1, M2)
61	0161R00006P	RING, VENTURI 29" (M1, M2)
61	0161R00007P	RING, VENTURI 35" (M3, M4, M5, M6, M7, M8)
81	B1393530	SCREW, HWH, 10X1/2, A, YZD, SLOT, SR (QTY 4)
111	0121R00027PDG	PANEL, LOUVER SIDE (M2)
111	0121R00043PDG	PANEL, LOUVER SIDE (M4, M6, M8)
111	4400131PDG	PANEL, LOUVER SIDE (M1)
111	4400138PDG	PANEL, LOUVER SIDE (M3, M5, M7)
121	0121R00033PDG	PANEL, LOUVER SIDE (M2)
121	0121R00047PDG	PANEL, LOUVER SIDE (M4, M6, M8)
121	4400133PDG	PANEL, LOUVER SIDE (M1)
121	4400140PDG	PANEL, LOUVER SIDE (M3, M5, M7)
131	0121R00039PDG	PANEL, LOUVER SIDE (M2)
131	0121R00051PDG	PANEL, LOUVER SIDE (M4, M6, M8)
131	4400135PDG	PANEL, LOUVER SIDE (M1)
131	4400142PDG	PANEL, LOUVER SIDE (M3, M5, M7)
NS	0161R00002P	CONDUIT (M1, M2)
NS	0161R00004P	CONDUIT (M3, M4, M5, M6, M7, M8)
NS	B1778800	CONDUIT-1/2" PVC

Expanded Model Nomenclature

M1 - SSZ160241AA
M2 - SSZ160241AB
M3 - SSZ160361AA
M4 - SSZ160361AB
M5 - SSZ160481AA
M6 - SSZ160481AB
M7 - SSZ160601AA
M8 - SSZ160601AB