

GAS FURNACES



SILHOUETTE® II PLUS 2 LXE TWO STAGE 80% A.F.U.E.† UPFLOW/HORIZONTAL GAS FURNACES

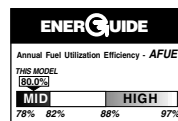
The Ruud® Silhouette II Plus 2 LXE line of upflow/horizontal gas furnaces are designed for utility rooms, closets, alcoves, or attics. **Because of the Silhouette's low-profile 34 inch [864 mm] height, the upflow model installed vertically can also be used to satisfy most applications that traditionally call for a horizontal furnace.**

The design is certified by CSA International.

Features

- Patented Heat Exchanger, constructed of both stainless and aluminized steel for the maximum in corrosion resistance.
 - Low profile "34 inch" [864 mm] design is lighter and easier to handle, and leaves room for optional equipment.
 - Energy efficient and quiet ECM 2+ motor.
 - Improves cooling efficiency when matched with rated condensing unit and coil.
 - Constant CFM.
 - Dip switch settings for selectable heating temperature rise and cooling airflow.
 - On-demand dehumidification terminal for improved comfort in cooling mode.
 - Convertible from upflow to horizontal left or right without field conversion.
 - Left or right side gas and electric inlet connections.
 - All models equipped with remote sense feature, an integrated board with humidifier and electronic air cleaner hookups.
 - Insulated blower compartment, a slow-open gas valve, a specially designed draft inducer motor and blower motor make it one of the quietest furnaces on the market today.
 - Pre-paint galvanized steel cabinet.
 - Molded permanent filter.
 - Grab-holes in doors to aid in easy door removal and replacement.
 - Compatible with single or two-stage thermostat. (For optimal performance, two-stage thermostat recommended.)
- A variety of cooling coils and plenums designed to use with Ruud Silhouette II Plus 2 LXE gas furnaces are available as optional accessories.

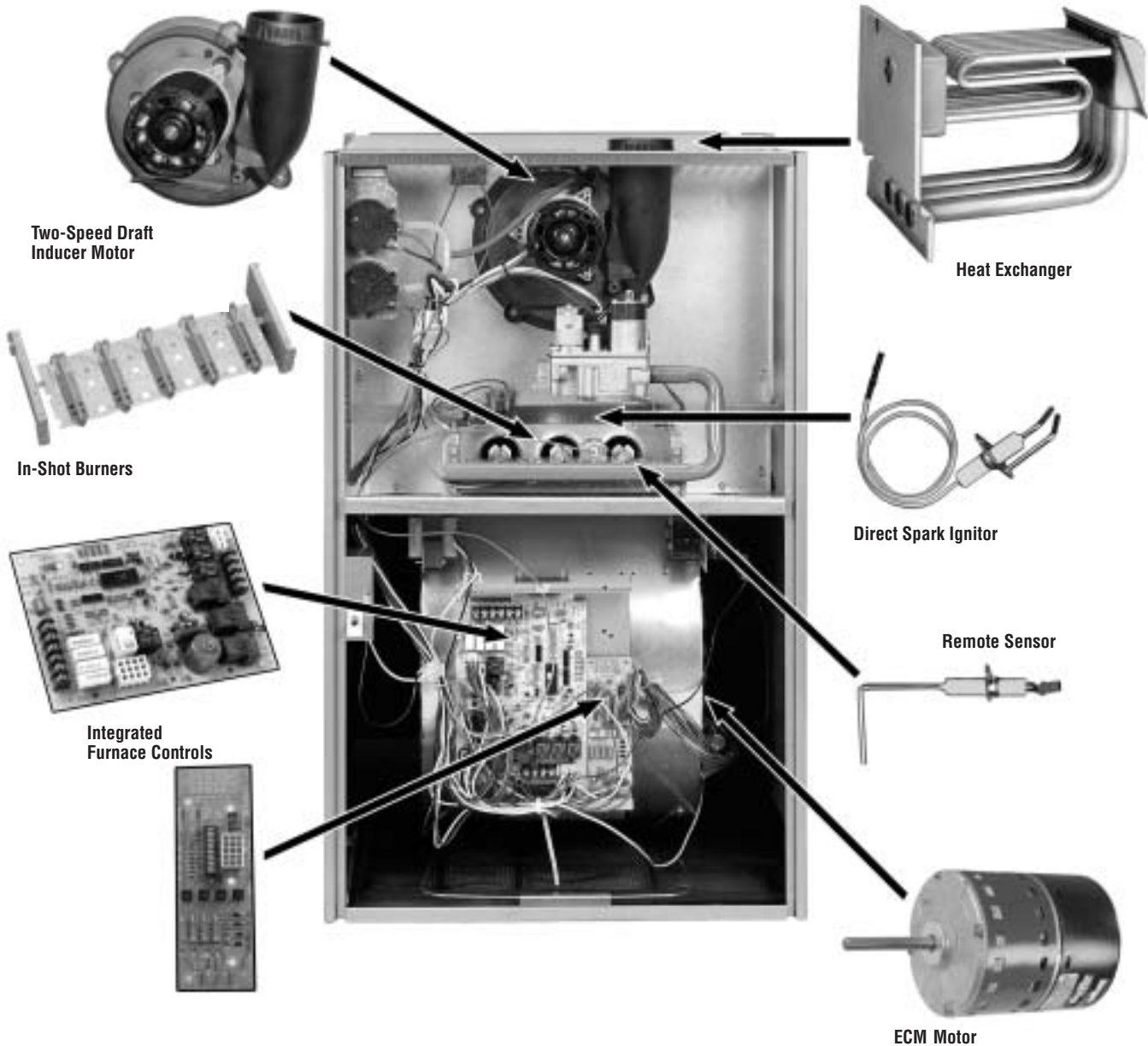
UGPL- SERIES
ECM Equipped
Models with Input Rates from
50,000 to 125,000 BTU/HR
[15 to 37 kW]
(U.S. & Canadian Models)



†A.F.U.E. (Annual Fuel Utilization Efficiency) calculated in accordance with Department of Energy test procedures.



RUUD SILHOUETTE II PLUS 2 LXE TWO STAGE 80% UPFLOW/HORIZONTAL GAS FURNACE



Two-Speed Draft Inducer Motor

Heat Exchanger

In-Shot Burners

Direct Spark Ignitor

Integrated Furnace Controls

Remote Sensor

ECM Motor

STANDARD EQUIPMENT

Completely assembled and wired; 2 speed draft inducer; high and low pressure switches; redundant 2 stage main gas control; blower compartment door safety switch; solid state time on/time off blower control; limit control; transformer; direct drive multi-speed blower motor. Furnaces are equipped with cooling/heating relay and transformer (40VA) ready for air conditioning applications. (Please note: a thermostat is not included as standard equipment.) Flame sensor diagnostics; fused protection (secondary), **3rd speed fan option for continuous fan.**

OPTIONAL EQUIPMENT

Side filter frame assembly. Return air cabinet for all sizes. (See Page 6)
NOTE: Furnace is not listed for use with fuels other than natural or L.P. (propane) gas.

The complete terms of limited and other warranties are available at our sales office, or through local installer.

All models can be converted by a qualified Ruud distributor or local service dealer to use L.P. (propane) gas without changing burners. Factory approved kits must be used to convert from natural to L.P. (propane) gas and may be ordered as optional accessories from a Ruud parts distributor.

For L.P. (propane) operation, refer to Conversion Kit Index Form.

WARNING
THIS FURNACE IS NOT APPROVED
OR RECOMMENDED
FOR USE IN MOBILE HOMES

BEFORE PURCHASING THIS APPLIANCE, READ IMPORTANT ENERGY COST AND EFFICIENCY INFORMATION AVAILABLE FROM YOUR RETAILER.

PHYSICAL DATA AND SPECIFICATIONS (UPFLOW) U.S. AND CANADA MODELS

MODEL NUMBERS UGPL- SERIES	05EBMKR 05NBMKR	07EBRKR 07NBRKR	07EBRQR 07NBRQR	10EBRMR 10NBRMR	12EARMR 12NARMR
High Input–BTU/Hr [kW] ②	50,000 [15]	75,000 [22]	75,000 [22]	100,000 [29]	125,000 [37]
Heating Capacity–BTU/Hr [kW] ①	40,900 [12]	61,280 [18]	61,280 [18]	81,470 [24]	101,660 [29]
Low Input–BTU/Hr [kW]	35,000 [10]	52,500 [15]	52,500 [15]	70,000 [20]	87,500 [25]
Heating Capacity–BTU/Hr [kW]	28,000 [8]	41,600 [12]	41,600 [12]	56,000 [16]	70,080 [20]
Heating–Ext. Static Pressure [kPa]	.10 [.025]	.12 [.029]	.12 [.029]	.15 [.037]	.20 [.05]
Blower (D x W) [mm]	11 x 7 [279 x 178]	11 x 10 [279 x 254]	11 x 10 [279 x 254]	11 x 10 [279 x 254]	11 x 10 [279 x 254]
ECM Motor H.P. [W]	3/4 [559]	1/2 [373]	3/4 [559]	1 [746]	1 [746]
Motor Full Load Amps.	9.6	7.7	9.6	12.8	12.8
Unit Amps	8.7	8.7	12.0	12.0	12.0
Maximum Overcurrent Protection	15	15	15	15	15
Heating Speed CFM–High Fire [L/s]	860 [405]	1060 [500]	1060 [500]	1320 [623]	1890 [892]
Heating Speed CFM–Low Fire [L/s]	648 [306]	700 [330]	700 [330]	942 [445]	1296 [573]
Cooling CFM @ .5" [kPa] E.S.P. (Nominal) [L/s]	1200 [566]	1200 [566]	1600 [755]	2000 [944]	2000 [944]
Max. E.S.P. (In. W.C.) [kPa]	0.5 [.12]	0.5 [.12]	0.5 [.12]	0.5 [.12]	0.5 [.12]
Temperature Rise Range °F [°C]	25-55 [13.9-30.6]	30-60 [17-33]	30-60 [17-33]	40-70 [22.2-38.9]	35-65 [19.4-36.1]
Max. Outlet Air Temp. °F [°C]	155 [68.3]	170 [76.6]	170 [76.6]	170 [76.6]	180 [82.2]
Standard Filter Size–Inches [mm]	15 3/4 x 25 [400 x 635]	19 1/4 x 25 [489 x 635]	19 1/4 x 25 [489 x 635]	19 1/4 x 25 [489 x 635]	22 3/4 x 25 [578 x 635]
Approx. Shipping Weight (Lbs.) [kg]	110 [50]	115 [52]	115 [52]	120 [54]	140 [63]
Return Air Cabinets (Opt.) RXGR- Filter Size [mm]	C17B (2) 12 x 16 [305 x 406]	C21B (2) 20 x 16 [508 x 406]	C21B (2) 20 x 16 [508 x 406]	C21B (2) 20 x 16 [508 x 406]	C24B (2) 24 x 16 [610 x 406]
AFUE ①	80.5%	80.3%	80.3%	80.0%	80.0%

① In accordance with D.O.E. test procedures.

② See Conversion Kit Index Form for high altitude derate.

GENERAL TERMS OF LIMITED WARRANTY

Ruud will furnish a replacement for any part of this product which fails in normal use and service within the applicable period stated, in accordance with the terms of the limited warranty.

For Complete Details of the Limited Warranty, Including Applicable Terms and Conditions, See Your Local Installer or Contact the Manufacturer for a Copy.

Gas Heat Exchanger Limited WarrantyTwenty (20) Years
*Any Other Part.....Five (5) Years

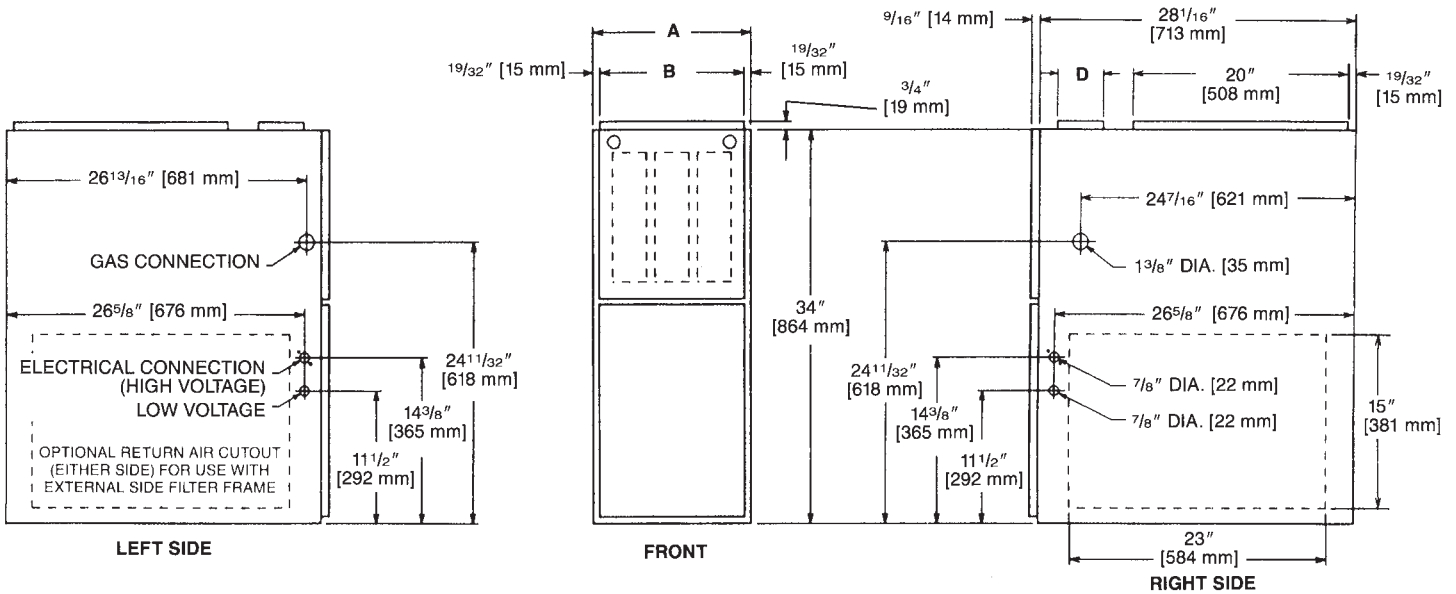
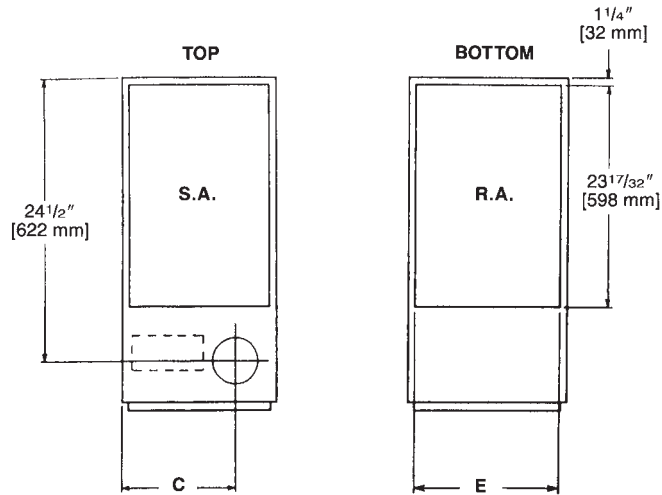
*This five year limited warranty is applicable only to single-phase products installed in residential applications on or after January 1, 2001.

MODEL IDENTIFICATION—UPFLOW MODELS

U	G	P	L	—	07E	B	R	K	R		
Ruud	Gas Furnace	Upflow/ Horizontal	Design Series		Heating Input Designation			Variations	Blower Designation	Heating & Cooling Designation	Fuel Type
					Electric Ignition	NOx Model	Input BTU/HR	A = Std. Cabinet	M = 11 x 7 [279 x 178 mm]	K = 600-1200 CFM [283-566 L/s]	R = Natural Gas, U.S. and Canadian Standard Furnace
					05E	05N	50,000 [15 kW]	B = Wide Cabinet	R = 11 x 10 [279 x 254 mm]	M = 1200-2000 CFM [566-944 L/s]	
					07E	07N	75,000 [22 kW]			Q = 1000-1600 CFM [566-944 L/s]	
					10E	10N	100,000 [29 kW]				
					12E	12N	125,000 [37 kW]				

[] Designates Metric Conversions

UPFLOW DIMENSIONS



UPFLOW DIMENSIONS AND CLEARANCE TO COMBUSTIBLE MATERIAL (INCHES) [mm]

MODEL UGPL-	A	B	C	D	E	REDUCED CLEARANCES (IN.) [mm]						
						LEFT SIDE	RIGHT SIDE	BACK	TOP	FRONT	VENT	SHIP. WGTs. (LBS.) [Kg]
05	17 1/2 [445]	16 11/32 [415]	12 1/8 [308]	①	15 [381]	0	3 [76] ②	0	1 [25]	3 [76]	6 [152] ③	105 [47.6]
07, 10	21 [533]	19 27/32 [504]	13 7/8 [352]	①	18 1/2 [470]	0	0	0	1 [25]	3 [76]	6 [152] ③	120 [54.4]
12	24 1/2 [622]	23 11/32 [593]	15 5/8 [397]	①	22 [559]	0	0	0	1 [25]	3 [76]	6 [152] ③	140 [63.5]

NOTES: ① May require a 3" [76 mm] to 4" [102 mm] or 3" [76 mm] to 5" [127 mm] adapter.

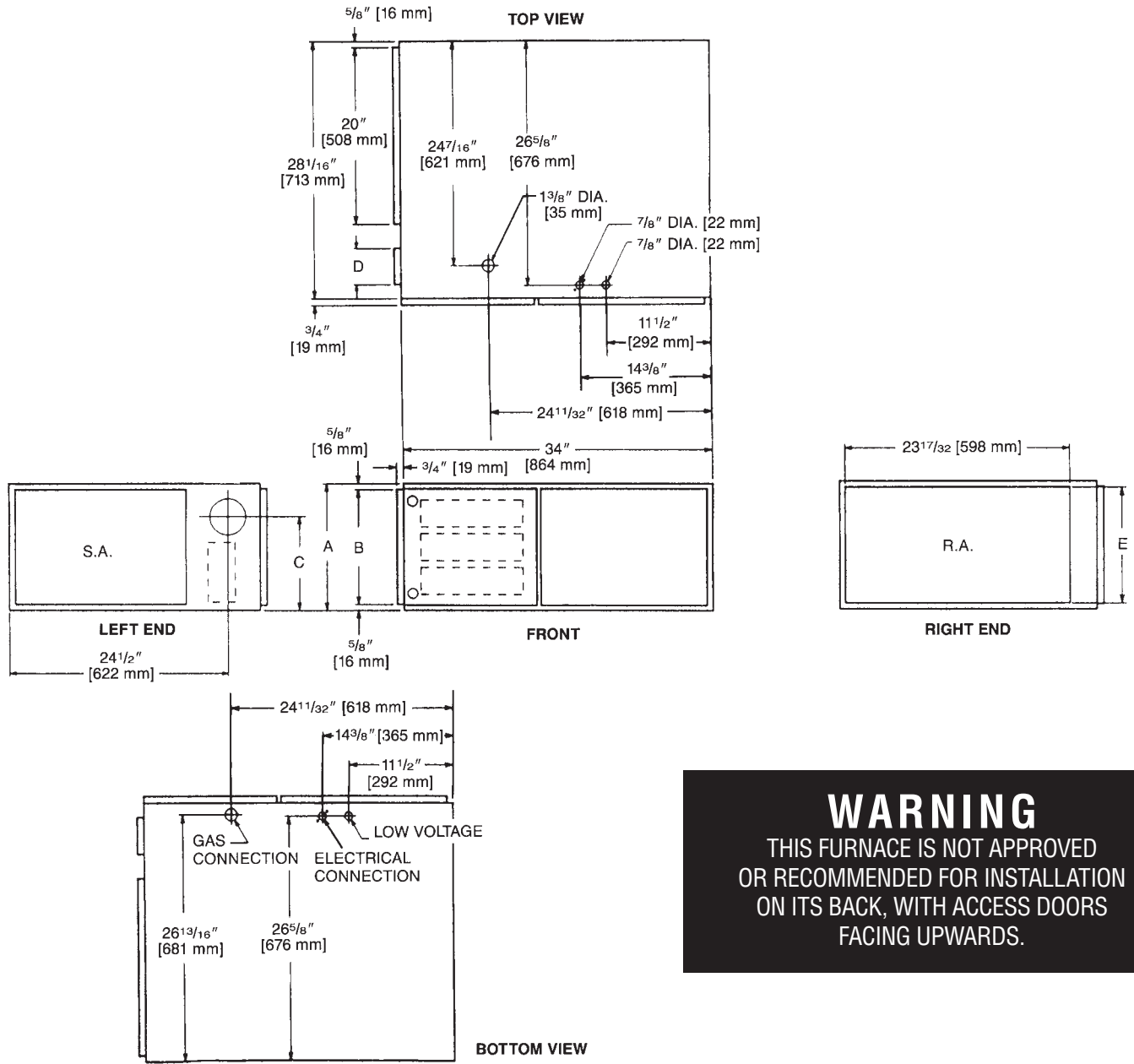
② May be 0" [0 mm] with type B vent.

③ May be 1" [25 mm] with type B vent.

Furnaces must be vented in accordance with the National Fuel Gas Code, ANSI Z223.1 and/or Can/CGA-B149 Installation Codes and in accordance with local codes.

[] Designates Metric Conversions

HORIZONTAL DIMENSIONS



HORIZONTAL DIMENSIONS AND CLEARANCE TO COMBUSTIBLE MATERIAL (INCHES) [mm]

MODEL UGPL-	A	B	C	D	E	REDUCED CLEARANCES (IN.) [mm]						
						LEFT SIDE	RIGHT SIDE	BACK	TOP	FRONT	VENT	SHIP. WGTS. (LBS.) [Kg]
05	17 1/2 [445]	16 11/32 [415]	12 1/8 [308]	①	15 [381]	0	3 [76] ②	0	1 [25]	3 [76]	6 [152] ③	110 [49.9]
07	21 [533]	19 27/32 [504]	13 7/8 [352]	①	18 1/2 [470]	0	0	0	1 [25]	3 [76]	6 [152] ③	115 [52.2]
10	21 [533]	19 27/32 [504]	13 7/8 [352]	①	18 1/2 [470]	0	0	0	1 [25]	3 [76]	6 [152] ③	120 [54.4]
12	24 1/2 [622]	23 11/32 [593]	15 5/8 [397]	①	22 [559]	0	0	0	1 [25]	3 [76]	6 [152] ③	140 [63.5]

NOTES: ① May require a 3" [76 mm] to 4" [102 mm] or 3" [76 mm] to 5" [127 mm] adapter.

② May be 0" [0 mm] with type B vent.

③ May be 1" [25 mm] with type B vent.

Furnaces must be vented in accordance with the National Fuel Gas Code, ANSI Z223.1 and/or Can/CGA-B149 Installation Codes and in accordance with local codes.

[] Designates Metric Conversions

ACCESSORIES—UPFLOW

SIDE RETURN FILTER RACK: RXGF-CA

BOTTOM MOUNT: RXGF-CB

FILTER RACK FILTER SIZES† INCHES [mm]	
MODEL UGPL-	RXGF-CA (SIDE)
05, 07, 10, 12	15 ³ / ₄ x 25 [400 x 635]

†Filter racks are shipped without filters.
Filters shipped with furnace may be used or a suitable 1" [25.4 mm] filter.

RXPF-F01 and F02

FOSSIL FUEL KIT—is for use with Ruud Heat Pumps and Silhouette II Plus 2 LXE warm air furnaces. RXPF-F02 meets TVA requirements.

RXGY-F13

HIGH ALTITUDE KIT—Required for all models with inputs over 50,000 btu/hr for installations at altitudes of 5,000 ft. and above. Kit includes orifices required for furnaces installed at 8,001 ft. and above.

OPTION CODE FOR HIGH ALTITUDE: US-277
CANADA—For high altitude derate procedure, refer to furnace installation instructions.

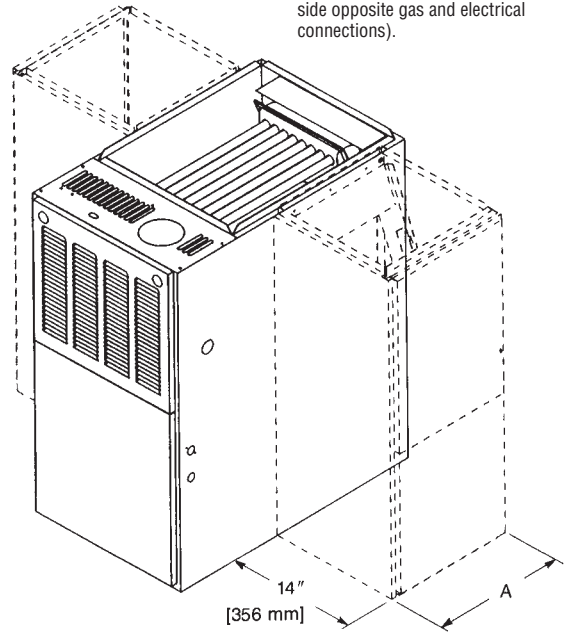
*HUMIDISTAT FOR ON-DEMAND DEHUMIDIFICATION:

41-25066-01

*Available through PROSTOCK™.

ACCESSORY RETURN AIR CABINETS

Return Air Cabinets may be installed on either side application except RXGR-C24B (side application must be on side opposite gas and electrical connections).



THE RXGR-C24B MAY ONLY BE INSTALLED ON THE SIDE OPPOSITE THE GAS AND ELECTRICAL CONNECTIONS.

RETURN AIR CABINETS	A IN. [mm]	FILTER SIZE IN. [mm]
RXGR-C17B	17 ¹ / ₂ [445]	(2) 12 x 16 [305 x 406]
RXGR-C21B	21 [533]	(2) 20 x 16 [508 x 406]
RXGR-C24B	24 ¹ / ₂ [622]	(2) 24 x 16 [610 x 406]

WARNING: IMPORTANT NOTICE

A SOLID METAL BASE PLATE (SEE TABLE) MUST BE IN PLACE WHEN THE FURNACE IS INSTALLED WITH SIDE RETURN DUCTS. FAILURE TO INSTALL A BASE PLATE COULD CAUSE PRODUCTS OF COMBUSTION TO BE CIRCULATED INTO THE LIVING SPACE AND CREATE POTENTIALLY HAZARDOUS CONDITIONS.

FURNACE WIDTH IN. [mm]	SOLID BOTTOM KIT NO.	BASE PLATE NO.	BASE PLATE SIZE IN. [mm]
17 ¹ / ₂ [445]	RXGB-D17	AE-61874-02	15 ¹ / ₈ x 23 ⁹ / ₁₆ [384 x 598]
21 [533]	RXGB-D21	AE-61874-03	18 ⁵ / ₈ x 23 ⁹ / ₁₆ [473 x 598]
24 ¹ / ₂ [622]	RXGB-D24	AE-61874-04	25 ⁵ / ₈ x 23 ⁹ / ₁₆ [651 x 598]

[] Designates Metric Conversions

BLOWER PERFORMANCE DATA—UPFLOW/HORIZONTAL MODELS

MODEL UGPL-	BLOWER SIZE (D X W) INCHES [mm]	ECM MOTOR H.P. [W]	BLOWER SPEED	CFM [L/s] AIR DELIVERY EXTERNAL STATIC PRESSURE INCHES WATER COLUMN [kPa]
				.1 [.025]—.5 [.12]
05	11 x 7 [279 x 178]	3/4 [559]	HIGH	1200 [566]
			MED-HI	1000 [472]
			MED	800 [378]
			LOW	600 [283]
07	11 x 10 [279 x 254]	1/2 [373]	HIGH	1200 [566]
			MED-HI	1000 [472]
			MED	800 [378]
			LOW	600 [283]
07	11 x 10 [279 x 254]	3/4 [559]	HIGH	1600 [755]
			MED-HI	1400 [661]
			MED	1200 [566]
			LOW	1000 [472]
10	11 x 10 [279 x 254]	1 [746]	HIGH	2000 [944]
			MED-HI	1600 [755]
			MED	1400 [661]
			LOW	1200 [566]
12	11 x 10 [279 x 254]	1 [746]	HIGH	2000 [944]
			MED-HI	1600 [755]
			MED	1400 [661]
			LOW	1200 [566]

Note: See Form Number C22-206 for MultiFlex® coil data.

[] Designates Metric Conversions

Before proceeding with installation, refer to installation instructions packaged with each model, as well as complying with all Federal, State, Provincial, and Local codes, regulations, and practices.

**RUUD
AIR CONDITIONING
DIVISION**

5600 Old Greenwood Road, Fort Smith, Arkansas 72908



"In keeping with its policy of continuous progress and product improvement, Ruud reserves the right to make changes without notice."