



Air Conditioning & Heating



PRODUCT SPECIFICATIONS

GSC14 SERIES

14 SEER

HIGH-EFFICIENCY
SPLIT SYSTEM
AIR CONDITIONER

1½ TO 5 TON

COOLING CAPACITY:
18,000 – 56,000 BTU/H



The Goodman® GSC14 14 SEER Air Conditioner features a high-efficiency Copeland® scroll compressor for improved temperature and humidity control and the unique Goodman® sound control top design for quiet operation. In addition, the unit has an attractive louvered metal guard that protects the coil from damage plus a powder-paint finish that provides premium durability and improved UV protection.

Standard Features

- High-efficiency Copeland® scroll compressor with internal pressure relief valve
- Factory-installed liquid line filter dryer
- 850 RPM condenser fan motor
- High-efficiency copper tube/ aluminum fin coil
- R-22 refrigerant charged for 15' of refrigerant line
- Brass liquid and suction line service valves
- Contactor with lug connection
- Ground lug connection
- ARI Listed; ETL Certified

Cabinet Features

- Unique Goodman® sound control top design
- Steel louver coil guard
- Heavy-gauge galvanized-steel cabinet
- Attractive Architectural Gray powder-paint finish with 500-hour salt-spray approval
- When properly anchored, meets the 2001 Florida Building Code unit integrity requirements for hurricane-type winds

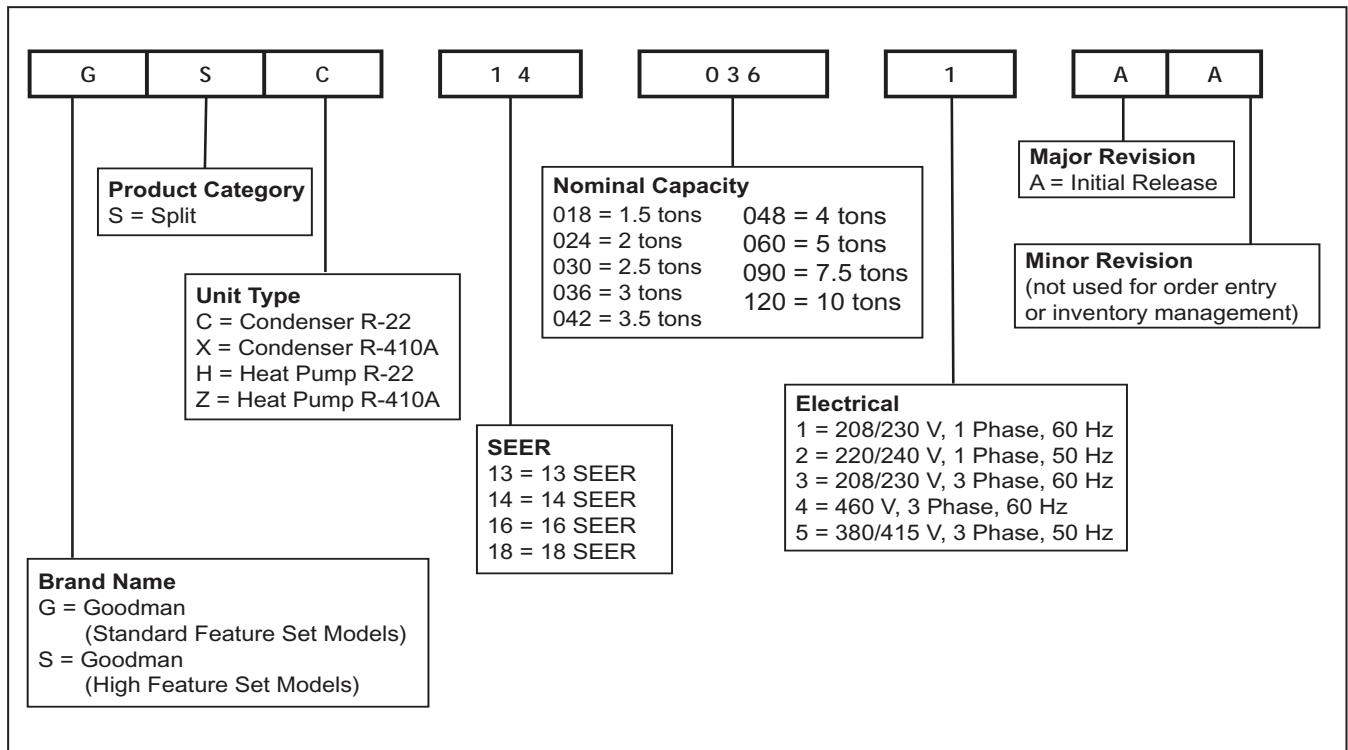
Accessories

- Anti-short cycle kit
- Freeze protection kit
- Low ambient control
- Liquid line Solenoid



PRODUCT SPECIFICATIONS

NOMENCLATURE



SPECIFICATIONS

	GSC14 0181A	GSC14 0241A	GSC14 0301A	GSC14 0361A	GSC14 0421A	GSC14 0481A	GSC14 0601A
Cooling Capacity							
Nominal Cooling (BTUH)	18,000	24,000	28,800	34,600	40,000	46,000	56,000
Compressor							
RLA	7.7	10.4	12.2	14.1	14.7	19.2	19.8
LRA	40.3	54.0	63.0	68.0	77.0	104.0	137.0
Condenser Fan Motor							
Horsepower (RPM)	1/12		1/6	1/4			
FLA	0.60		1.10	1.50			
Refrigeration System							
Liquid Valve Size ("O.D.)*	3/8"						
Suction Valve Size ("O.D.)*	3/4"			7/8"			
Valve Connection Type	Sweat						
Refrigerant Charge	130.0	135.0	140.0	155.0	180.0	195.0	285.0
Shipped with Orifice Size	0.053	0.061	0.067	0.074	0.078	0.084	0.096
Electrical Data							
Voltage-Hz / Phase	208/230-60-1						
Minimum Circuit Ampacity ¹	10.2	13.7	16.3	19.1	19.9	25.5	26.3
Maximum Overcurrent Device ²	15	20	20	30	30	40	40
Min / Max Volts	197 / 253						
Electrical Conduit Size	1/2" or 3/4"						
Decibels	72	72	73	73	75	75	76
Ship Weight (lbs)	178	178	195	199	242	242	280

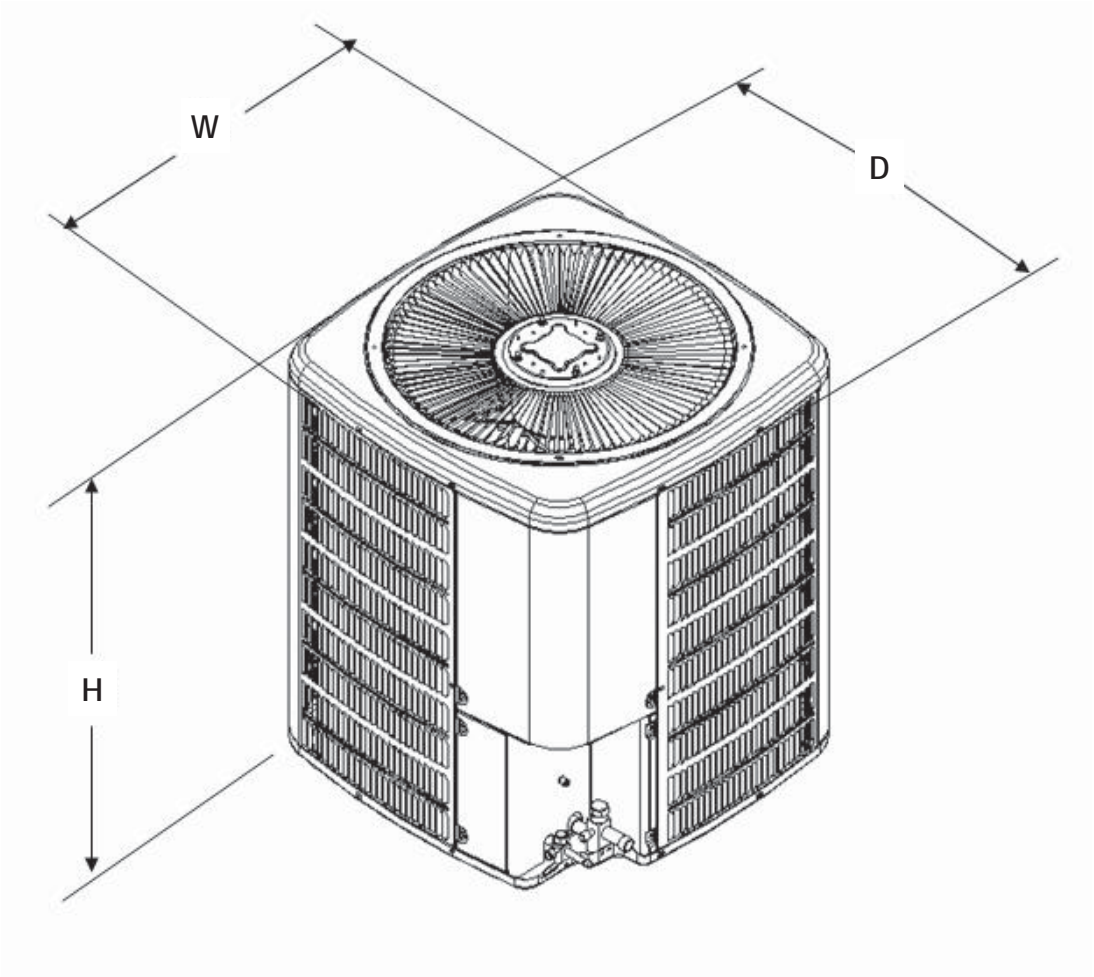
* Up to 35' in equivalent line length

1) Wire size should be determined in accordance with National Electrical Codes; extensive wire runs will require larger wire sizes

2) May use fuses or HACR type Circuit Breakers of the same size as noted

PRODUCT SPECIFICATIONS

DIMENSIONS



Model	Dimensions W x D x H
GSC140181A	26" x 26" x 32¼"
GSC140241A	26" x 26" x 32¼"
GSC140301A	29" x 29" x 32¼"
GSC140361A	29" x 29" x 34¼"
GSC140421A	35½" x 35½" x 38¼"
GSC140481A	35½" x 35½" x 38¼"
GSC140601A	35½" x 35½" x 38¼"

PERFORMANCE RATINGS

Model	Coil; Blower Coil; or Furnace Model	Capacity	SEER	EER	ARI Ref #.	dBs
GSC140181A*	ADPF30421A*+TXV	18,000	14	12.0	890418	72
	AEPF18301A*+TXV	18,000	15	12.5	890149	
	AEPT30-00*-1	18,000	15	12.5	890329	
	CA*F042*2*+BDK+TXV	18,000	14	12.0	890204	
	CA*F042*2*+G*V80704B**+TXV	18,400	15	12.5	890152	
	CA*F042*2*+G*V950453B**+TXV	18,400	15	12.5	890238	
	CA*F042*2*+G*V950703B**+TXV	18,400	15	12.5	890453	
	CA*F042*2*+MBE1200**-1+TXV	18,000	15	12.5	890235	
	CA*F042*2*+MBR0800**-1+TXV	18,000	14	12.0	890410	
	CA*F3131*6A*+BDK	18,000	14	12.0	890387	
	CA*F3131*6A*+BDK+TXV	18,000	14	12.5	890181	
	CA*F3131*6A*+G*V80704B**+TXV	18,400	15	12.5	890376	
	CA*F3131*6A*+G*V950453B**+TXV	18,400	15	12.5	890461	
	CA*F3131*6A*+MBE1200**-1+TXV	18,400	15	12.5	890452	
	CA*F3131*6A*+MBR0800**-1+TXV	18,000	15	12.0	890306	
	CHPF042B2*+BDK+TXV	18,000	14	12.0	890433	
	CHPF042B2*+G*V80704B**+TXV	18,000	15	12.5	890282	
	CHPF042B2*+G*V950453B**+TXV	18,000	15	12.5	890436	
	CHPF042B2*+G*V950703B**+TXV	18,000	15	12.5	890251	
	CHPF042B2*+MBE1200**-1+TXV	18,000	15	12.5	890068	
	CHPF2430B6A*+BDK+TXV	18,000	14	12.0	890292	
	CHPF2430B6A*+G*V80704B**+TXV	18,000	15	12.5	890081	
	CHPF2430B6A*+G*V950453B**+TXV	18,000	15	12.5	890176	
	CHPF2430B6A*+G*V950703B**+TXV	18,000	15	12.5	890213	
	CHPF2430B6A*+MBE1200**-1+TXV	18,000	15	12.5	890396	
	CHPF2430B6A*+MBR0800**-1+TXV	18,000	14	12.0	890056	
	CSCF3036N6A*+BDK+TXV	18,000	14	12.0	890261	
	CSCF3036N6A*+G*V80704B**+TXV	18,400	15	12.5	890284	
	CSCF3036N6A*+G*V950453B**+TXV	18,400	15	12.5	890069	
	CSCF3036N6A*+G*V950703B**+TXV	18,400	15	12.5	890425	
	CSCF3036N6A*+MBR0800**-1+TXV	18,000	14	12.0	890097	
	H49F+BDK+TXV	18,000	14	12.0	890417	
	H49F+G*V80704B**+TXV	18,400	15	12.5	890331	
H49F+G*V950704B**+TXV	18,400	15	12.5	890039		
H49F+G*V950953B**+TXV	18,400	15	12.5	890407		
H49F+MBR0800**-1+TXV	18,000	14	12.0	890428		

PRODUCT SPECIFICATIONS

PERFORMANCE RATINGS (CONT.)

Model	Coil; Blower Coil; or Furnace Model	Capacity	SEER	EER	ARI Ref #.	dBs
GSC140241A*	AEPF30361A*	24,000	15	12.5	890029	72
	AEPT036-00*-1*	24,000	15	12.5	890139	
	CA*F03642*6A*+G*V811155C**	23,600	15	12.5	890423	
	CA*F03642*6A*+G*V950704C**	23,600	15	12.5	890365	
	CA*F048*2*+BDK	24,000	14	12.0	890138	
	CA*F048*2*+G*V80704B**	23,600	14.5	12.2	890217	
	CA*F048*2*+G*V80905C**	23,600	15	12.5	890356	
	CA*F048*2*+G*V811155C**	23,600	15	12.5	890341	
	CA*F048*2*+G*V950453B**	23,600	14.5	12.2	890030	
	CA*F048*2*+G*V950704B**	23,600	14.5	12.2	890419	
	CA*F048*2*+G*V950704C**	23,600	15	12.5	890220	
	CA*F048*2*+MBE1200**-1	24,000	15	12.5	890028	
	CA*F048*2*+MBR0800**-1	24,000	14	12.0	890225	
	CA*F3636*6A*+BDK	24,000	14	12.0	890080	
	CA*F3636*6A*+G*V80704B**	23,600	14.5	12.2	890272	
	CA*F3636*6A*+G*V950453B**	23,600	14.5	12.2	890102	
	CA*F3636*6A*+G*V950704B**	23,600	14.5	12.2	890147	
	CA*F3636*6A*+MBE1200**-1	24,000	15	12.5	890415	
	CA*F3636*6A*+MBR0800**-1	24,000	14	12.0	890048	
	CHPF048B2*+G*V80704B**	23,600	14.5	12.2	890036	
	CHPF048B2*+G*V950453B**	23,600	14.5	12.2	890059	
	CHPF048B2*+G*V950704B**	23,600	14.5	12.2	890444	
	CHPF3636*6A*+BDK	24,000	14	12.0	890232	
	CHPF3636*6A*+MBE1200**-1	24,000	15	12.5	890460	
	CHPF3636*6A*+MBR0800**-1	24,000	14	12.0	890286	
	CHPF3636B6A*+G*V80704B**	23,600	14.5	12.2	890183	
	CHPF3636B6A*+G*V950453B**	23,600	14.5	12.2	890071	
	CHPF3636B6A*+G*V950704B**	23,600	14.5	12.2	890390	
	CHPF3642C6A*+G*V801115C**	23,000	15	12.5	890408	
	CHPF3642C6A*+G*V80905C**	23,000	15	12.5	890259	
	CHPF3642C6A*+G*V81115C**	23,600	15	12.5	890420	
	CSCF3036N6A*+BDK	23,600	14	12.0	890359	
	CSCF3036N6A*+G*V80704B**	23,600	14.5	12.2	890168	
	CSCF3036N6A*+G*V80905C**	23,600	15	12.5	890393	
	CSCF3036N6A*+G*V81115C**	23,600	15	12.5	890177	
	CSCF3036N6A*+G*V950453B**	23,600	14.5	12.2	890291	
	CSCF3036N6A*+G*V950703B**	23,600	14.5	12.2	890095	
	CSCF3036N6A*+MBR0800**-1	23,600	14	12.0	890118	
	H49F+BDK	23,600	14	12.0	890143	
	H49F+G*V80704B**	23,600	14.5	12.2	890441	
	H49F+G*V80905C**	23,600	15	12.5	890354	
	H49F+G*V81115C**	23,600	15	12.5	890179	
H49F+G*V950453B**	23,600	14.5	12.2	890326		
H49F+MBR0800**-1	23,600	14	12.0	890027		

PERFORMANCE RATINGS (CONT.)

Model	Coil; Blower Coil; or Furnace Model	Capacity	SEER	EER	ARI Ref #.	dBs
GSC140301A*	AEPF30361A*	28,800	15	12.5	890307	73
	CA*F048*2*+MBE1200**-1	28,800	15	12.5	890370	
	CA*F060*2*+G*V80905C**	28,800	15	12.5	890151	
	CA*F060*2*+G*V81155C**	28,800	15	12.5	890295	
	CA*F060*2*+G*V950704C**	28,800	15	12.5	890247	
	CA*F060*2*+MBR1600**-1	28,800	14	12.0	890169	
	CA*F3636*6A*+MBE1200**-1	28,800	15	12.5	890271	
	CA*F3642*6A*+BDK	28,800	14	12.0	890141	
	CA*F3642*6A*+G*V81155C**	28,800	15	12.5	890032	
	CA*F3642*6A*+G*V950704C**	28,800	15	12.5	890399	
	CA*F3642*6A*+MBR1600**-1	28,800	14	12.0	890082	
	CA*F43642*6A*+G*V80905C**	28,800	15	12.5	890254	
	CHPF048*2*+BDK	28,800	14	12.0	890363	
	CHPF048*2*+G*V950704C**	28,800	15	12.5	890353	
	CHPF048*2*+MBE1600**-1	28,800	15	12.5	890078	
	CHPF048*2*+MBR1600**-1	28,800	14	12.0	890075	
	CHPF3636B6A*+MBE1200**-1	28,800	15	12.5	890091	
	CHPF3642*6A*+BDK	28,800	14	12.0	890050	
	CHPF3642*6A*+G*V80905C**	28,800	15	12.5	890269	
	CHPF3642*6A*+G*V81155C**	28,800	15	12.5	890106	
	CHPF3642*6A*+G*V950704C**	28,800	15	12.5	890301	
	CHPF3642*6A*+MBR1600**-1	28,800	14	12.0	890293	
	CSCF3642N6A*+G*V80905C**	28,800	15	12.5	890182	
	CSCF3642N6A*+G*V81155C**	28,800	15	12.5	890231	
	CSCF3642N6A*+G*V950704C**	28,800	15	12.5	890092	
	CSCF3642N6A*+MBR1600**-1	28,800	14	12.0	890243	
	H60F+BDK	28,800	14	12.0	890160	
	H60F+G*V80905C**	28,800	15	12.5	890430	
	H60F+G*V81155C**	28,800	15	12.5	890443	
	H60F+G*V950704C**	28,800	15	12.5	890351	
	H60F+MBR1600**-1	28,800	14	12.0	890371	

PRODUCT SPECIFICATIONS

PERFORMANCE RATINGS (CONT.)

Model	Coil; Blower Coil; or Furnace Model	Capacity	SEER	EER	ARI Ref #.	dBs
GSC140361A*	AEPF42601A*	34,600	15	12.5	890194	73
	AEPT060-00*-1*	34,600	15	12.5	890103	
	ARUF37431A*	35,000	14	12.0	890089	
	CA*F061*2*+BDK	34,000	14	12.0	890170	
	CA*F061*2*+G*V80905C**	34,600	14.5	12.2	890432	
	CA*F061*2*+G*V81155C**	34,600	14.5	12.2	890345	
	CA*F061*2*+G*V95070C**	34,600	14.5	12.2	890416	
	CA*F061*2*+G*V950905D**	34,600	14.5	12.2	890299	
	CA*F061*2*+G*V951155D**	34,600	14.5	12.2	890296	
	CA*F061*2*+MBE1600**-1	35,000	14.5	12.2	890099	
	CA*F4860*6A*+BDK	34,000	14	12.0	890023	
	CA*F4860*6A*+G*V80905C**	34,600	14.5	12.2	890172	
	CA*F4860*6A*+G*V81155C**	34,600	14.5	12.2	890215	
	CA*F4860*6A*+G*V95070C**	34,600	14.5	12.2	890067	
	CA*F4860*6A*+G*V950905D**	34,600	14.5	12.2	890273	
	CA*F4860*6A*+G*V951155D**	34,600	14.5	12.2	890451	
	CA*F4860*6A*+MBE1600**-1	35,000	14.5	12.2	890355	
	CHP0F48D2*+G*V950905D**	34,600	15	12.5	890185	
	CHPF0482D2*+G*V951155D**	34,600	15	12.5	890311	
	CHPF048D2*+BDK	35,000	14	12.0	890392	
	CHPF048D2*+G*V81155C**	34,600	14.5	12.2	890357	
	CHPF048D2*+MBE2000**-1	35,000	15	12.5	890121	
	CHPF3642*6A*+G*V80905C**	34,600	14.5	12.2	890358	
	CHPF3642*6A*+G*V81155C**	34,600	14.5	12.2	890114	
	CHPF3642*6A*+G*V950704C**	34,600	14.5	12.2	890200	
	CHPF3642*6A*+G*V951155D**	34,600	15	12.5	890378	
	CHPF3642D6A*+BDK	35,000	14	12.0	890412	
	CHPF3642D6A*+G*V951155D**	34,600	15	12.5	890294	
	CHPF3642D6A*+MBE2000**-1	35,000	14	12.0	890150	
	CSCF3642N6A*+BDK	35,000	14	12.0	890046	
	CSCF4860N6A*+G*V809505C**	34,600	14.5	12.2	890281	
	CSCF4860N6A*+G*V81155C**	34,600	14.5	12.2	890256	
	CSCF4860N6A*+G*V950704C**	34,600	14.5	12.2	890263	
	CSCF4860N6A*+G*V950905D**	34,600	14.5	12.2	890237	
	CSCF4860N6A*+G*V951155D**	34,600	14.5	12.2	890193	
	H61F+BDK	35,000	14	12.0	890064	
H61F+G*V809505C**	34,600	14.5	12.2	890442		
H61F+G*V81155C**	34,600	14.5	12.2	890310		
H61F+G*V950704C**	34,600	14.5	12.2	890161		
H61F+G*V950905D**	34,600	14.5	12.2	890173		
H61F+G*V951155D**	34,600	14.5	12.2	890462		

PERFORMANCE RATINGS (CONT.)

Model	Coil; Blower Coil; or Furnace Model	Capacity	SEER	EER	ARI Ref #.	dBs
GSC140421A*	AEPF42601A*	40,000	15	12.5	890308	75
	AEPT060-00*-1*	40,000	15	12.5	890253	
	ARPF37431A*	39,500	14	12.0	890278	
	CA*0F60*2*+MBE2000**-1	40,000	15	12.5	890435	
	CA*0F61*2*+G*V950704C**	39,500	14	12.0	890055	
	CA*4860*6A*+G*V951155D**	40,000	15	12.5	890084	
	CA*F061*2*+BDK	40,000	14	12.0	890031	
	CA*F061*2*+G*V80905C**	39,500	14	12.0	890459	
	CA*F061*2*+G*V81155C**	39,500	14	12.0	890289	
	CA*F061*2*+G*V950905D**	40,000	15	12.5	890051	
	CA*F061*2*+G*V951155D**	40,000	15	12.5	890244	
	CA*F061*2*+MBE2000**-1	40,000	15	12.5	890113	
	CA*F3642*6A*+MBE2000**-1	40,000	14	12.0	890140	
	CA*F4860*6*+BDK	40,000	14	12.0	890210	
	CA*F4860*6A*+G*V590905D**	40,000	15	12.5	890096	
	CA*F4860*6A*+G*V80905C**	39,500	14	12.0	890187	
	CA*F4860*6A*+G*V81155C**	39,500	14	12.0	890130	
	CA*F4860*6A*+G*V950704C**	39,500	14	12.0	890255	
	CA*F4860*6A*+G*V950905D**	40,000	15	12.5	890446	
	CA*F4860*6A*+G*V951155D**	40,000	15	12.5	890186	
	CA*F4860*6A*+MBE2000**-1	40,000	15	12.5	890312	
	CHPF048D2*+BDK	40,000	14	12.0	890166	
	CHPF048D2*+MBE2000**-1	40,000	15	12.5	890366	
	CHPF060D2*+G*V81155C**	39,500	14.5	12.0	890065	
	CHPF060D2*+G*V951155D**	40,000	15	12.5	890155	
	CHPF3642D6A*+BDK	40,000	14	12.0	890364	
	CHPF4860*6A*+G*V81155C**	39,500	14.5	12.0	890145	
	CHPF4860*6A*+G*V951155D**	40,000	15	12.5	890206	
	CHPF4860D6A*+MBE2000**-1	40,000	15	12.5	890386	
	CSCF3642N6A*+BDK	40,000	14	12.0	890175	
	CSCF4860N6A*+G*V950905D**	40,000	15	12.5	890343	
	CSCF4860N6A*+G*V951155D**	40,000	15	12.5	890108	
	CSCF4860N6A*+GMV80905C**	39,500	14	12.0	890098	
	CSCF4860N6A*+GMV81155C**	39,500	14	12.0	890233	
	CSCF4860N6A*+GMV950704C**	39,500	14	12.0	890053	
	H61F+BDK	40,000	14	12.0	890086	
	H61F+G*V950905D**	40,000	15	12.5	890229	
	H61F+GMV80905C**	39,500	14	12.0	890377	
	H61F+GMV951155D**	40,000	15	12.5	890221	

PRODUCT SPECIFICATIONS

PERFORMANCE RATINGS (CONT.)

Model	Coil; Blower Coil; or Furnace Model	Capacity	SEER	EER	ARI Ref #.	dBs
GSC140481A*	CA*F4860*6A*+MBE2000**-1	46,000	15	12.5	890088	75
	ADPF48601A*	45,500	13.5	11.5	890448	
	AEPF42601A*	46,000	15	12.5	890258	
	AEPT060-00*-1*	46,000	15	12.5	890438	
	ARUF37431A*	45,500	13.5	11.5	890129	
	CA*F061*2*+BDK	46,000	14	12.0	890085	
	CA*F061*2*+G*V90905D**	45,500	14	12.0	890369	
	CA*F061*2*+G*V91155D**	45,500	14	12.0	890197	
	CA*F061*2*+G*V950905D**	45,500	14	12.0	890279	
	CA*F061*2*+G*V951155D**	45,500	14	12.0	890288	
	CA*F061*2*+MBE2000**-1	46,000	15	12.5	890184	
	CA*F4860*6A*+BDK	46,000	14	12.0	890382	
	CA*F4860*6A*+G*V80905D**	45,500	14	12.0	890043	
	CA*F4860*6A*+G*V91155D**	45,500	14	12.0	890316	
	CA*F4860*6A*+G*V950905D**	45,500	14	12.0	890214	
	CA*F4860*6A*+G*V951155D**	45,500	14	12.0	890034	
	CHPF060D2*+BDK	46,000	14	12.0	890348	
	CHPF060D2*+G*V90905D**	45,500	14	12.0	890385	
	CHPF060D2*+G*V91155D**	45,500	14	12.0	890422	
	CHPF060D2*+G*V950905D**	45,500	14	12.0	890174	
	CHPF060D2*+G*V951155D**	45,500	14	12.0	890234	
	CHPF060D2*+MBE2000**-1	46,000	15	12.5	890062	
	CHPF4860D6A*+BDK	46,000	14	12.0	890218	
	CHPF4860D6A*+G*V90905D**	45,500	14	12.0	890268	
	CHPF4860D6A*+G*V91155D**	45,500	14	12.0	890445	
	CHPF4860D6A*+G*V950905D**	45,500	14	12.0	890203	
	CHPF4860D6A*+G*V951155D**	45,500	14	12.0	890228	
	CHPF4860D6A*+MBE2000**-1	46,000	15	12.5	890024	
	CSCF4860N6A*+BDK	46,000	14	12.0	890162	
	CSCF4860N6A*+G*V950905D**	45,500	14	12.0	890111	
	CSCF4860N6A*+G*V951155D**	45,500	14	12.0	890332	
	H61F+BDK	46,000	14	12.0	890077	
	H61F+G*V950905D**	45,500	14	12.0	890321	
H61F+G*V951155D**	45,500	14	12.0	890222		

PERFORMANCE RATINGS (CONT.)

Model	Coil; Blower Coil; or Furnace Model	Capacity	SEER	EER	ARI Ref #.	dBs
GSC140601A*	ARPF48601A*	56,000	13.5	11.5	890384	76
	ARPT061-00*-1*	56,000	13.5	11.5	890421	
	ARUF061-00*-1*	56,000	13.5	11.5	890303	
	ARUF48601A*	56,000	13.5	11.5	890375	
	CA*F061*2*+BDK	56,000	14	12.0	890205	
	CA*F061*2*+G*V90905D**	56,000	13.5	11.5	890060	
	CA*F061*2*+G*V951155D**	56,000	13.5	11.5	890245	
	CA*F4860*6A*+BDK	56,000	14	12.0	890333	
	CA*F4860*6A*+G*V90905D**	56,000	13.5	11.5	890137	
	CA*F4860*6A*+G*V951155D**	56,000	13.5	11.5	890424	
	CA*F4860*6A*+MBE2000**-1	56,000	15	12.5	890266	
	CA*F4860*6A*+MBR2000**-1	56,000	14	12.0	890127	
	CHPF060D2*+BDK	56,000	14	12.0	890178	
	CHPF060D2*+G*V950905D**	56,000	13.5	11.5	890455	
	CHPF060D2*+G*V951155D**	56,000	13.5	11.5	890319	
	CHPF060D2*+MBR2000**-1	56,000	15	12.5	890252	
	CHPF4860D6A*+BDK	56,000	14	12.0	890340	
	CHPF4860D6A*+G*V950905D**	56,000	13.5	11.5	890052	
	CHPF4860D6A*+G*V951155D**	56,000	13.5	11.5	890202	
	CHPF4860D6A*+MBR2000**-1	56,000	14	12.0	890107	
	CSCF4860N6A*+BDK	56,000	14	12.0	890458	
	CSCF4860N6A*+G*V950905D**	56,000	13.5	11.5	890297	
	CSCF4860N6A*+G*V951155D**	56,000	13.5	11.5	890123	
	CSCF4860N6A*+MBE2000**-1	56,000	15	12.5	890325	
	CSCF4860N6A*+MBR2000**-1	56,000	14	12.0	890315	
	H61F+BDK	56,000	14	12.0	890246	
	H61F+G*V950905D**	56,000	13.5	11.5	890087	
	H61F+G*V951155D**	56,000	13.5	11.5	890122	
	H61F+MBR2000**-1	56,000	14	12.0	890439	
	MBE2000**-1+CA*F061*2*	56,000	15	12.5	890305	
MBR2000**-1+CA*F061*2*	56,000	14	12.0	890159		

PRODUCT SPECIFICATIONS

ACCESSORIES

Model	Description	GSC14 018	GSC14 024	GSC14 030	GSC14 036	GSC14 042	GSC14 048	GSC14 060
ASC01	Anti-Short Cycle Kit	X	X	X	X	X	X	X
CSR-U-1	Hard-start Kit	X	X	X	X			
CSR-U-2	Hard-start Kit				X	X	X	X
CSR-U-3	Hard-start Kit						X	X
FSK01A ¹	Freeze Protection Kit	X	X	X	X	X	X	X
OT18-60A ²	Outdoor Thermostat	X	X	X	X	X	X	X
OY/EHR18-60	Emergency Heat Relay Kit	X	X	X	X	X	X	X
TX2N2 ³	TXV Kit	X						
TX3N2 ³	TXV Kit		X	X	X			
TX5N2 ³	TXV Kit					X	X	X

1) Installed on indoor coil

2) Required for heat pump applications where ambient temperatures fall below 0 °F with 50% or higher relative humidity.

3) Field-installed, non-bleed, expansion valve kit



Air Conditioning & Heating

Goodman Manufacturing Company, L.P., reserves the right to discontinue, or change at any time, specifications or designs without notice or without incurring obligations.

*Copyright © 2006 • Goodman Manufacturing Company, L.P. • Houston, Texas
Goodman® brand products are made proudly in the USA.
Printed in the USA.*