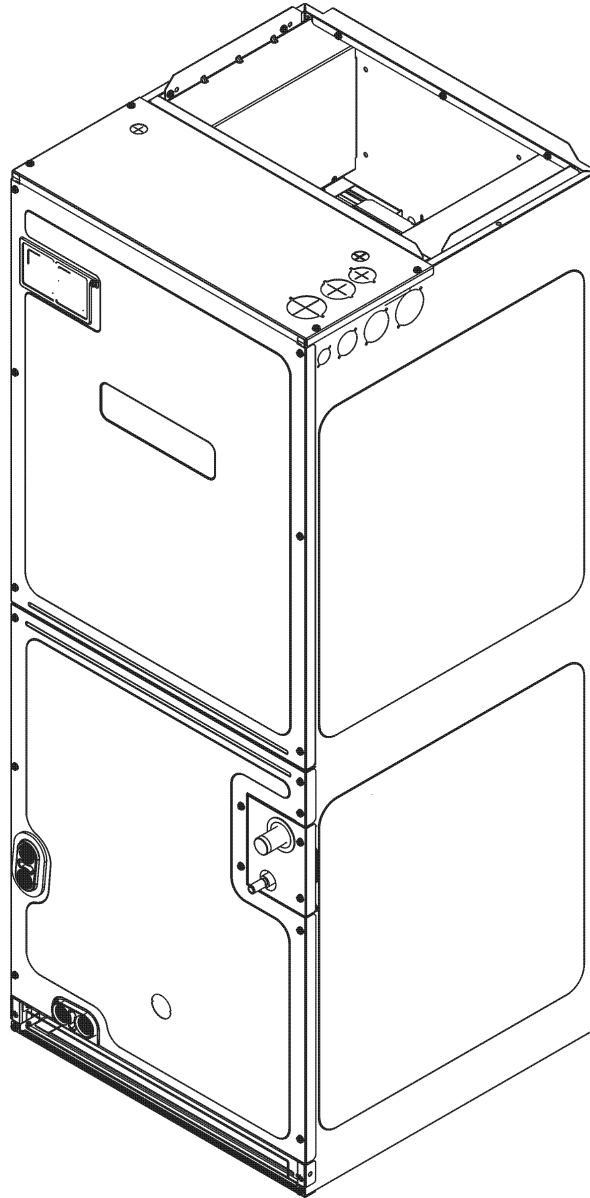


# REPAIR PARTS

---

## AVPEC EEV Air Handler

AVPEC25B14AA  
AVPEC25B14AB  
AVPEC25B14AC  
AVPEC37C14AA  
AVPEC37C14AB  
AVPEC37C14AC  
AVPEC59D14AA  
AVPEC59D14AB  
AVPEC59D14AC  
AVPEC61D14AA  
AVPEC61D14AB  
AVPEC61D14AC



This manual is to be used by qualified technicians only.

This manual replaces RP-A4305.

© 2016 - 2017 Goodman Manufacturing Company, L.P. ♦ 5151 San Felipe St, Suite 500 ♦ Houston, TX 77056

# Important Information

---

## Index

Functional Parts List .....	3
Illustration and Parts .....	4 - 9

*Views shown are for parts illustrations only, not servicing procedures*

### Text Codes:

AR - As Required

NA - Not Available

NS - Not Shown

00000000 - See Note

QTY - Quantity Example (QTY 3) (If Quantity not shown, Quantity = 1)

M - Model Example (M1) (If M Code not shown, then part is used on all Models)

### Expanded Model Nomenclature:

Example M1 - Model#1 M2 - Model#2 M3 - Model#3
---

Goodman Manufacturing Company, L.P. is not responsible for personal injury or property damage resulting from improper service. Review all service information before beginning repairs.

Warranty service must be performed by an authorized technician, using authorized factory parts. If service is required after the warranty expires, Goodman Manufacturing Company, L.P. also recommends contacting an authorized technician and using authorized factory parts.

Goodman Manufacturing Company, L.P. reserves the right to discontinue, or change at any time, specifications or designs without notice or without incurring obligations.

For assistance within the U.S.A. contact:  
Homeowner Support  
Goodman Manufacturing Company, L.P.  
19001 Kermier Road  
Waller, Texas 77484  
877-254-4729-Telephone  
713-863-2382-Facsimile

For assistance outside the U.S.A. contact:  
International Division  
Goodman Manufacturing Company, L.P.  
19001 Kermier Road  
Waller, Texas 77484  
713-861-2500-Telephone  
713-863-2382-Facsimile

# Functional Parts

## Part

## No: Description:

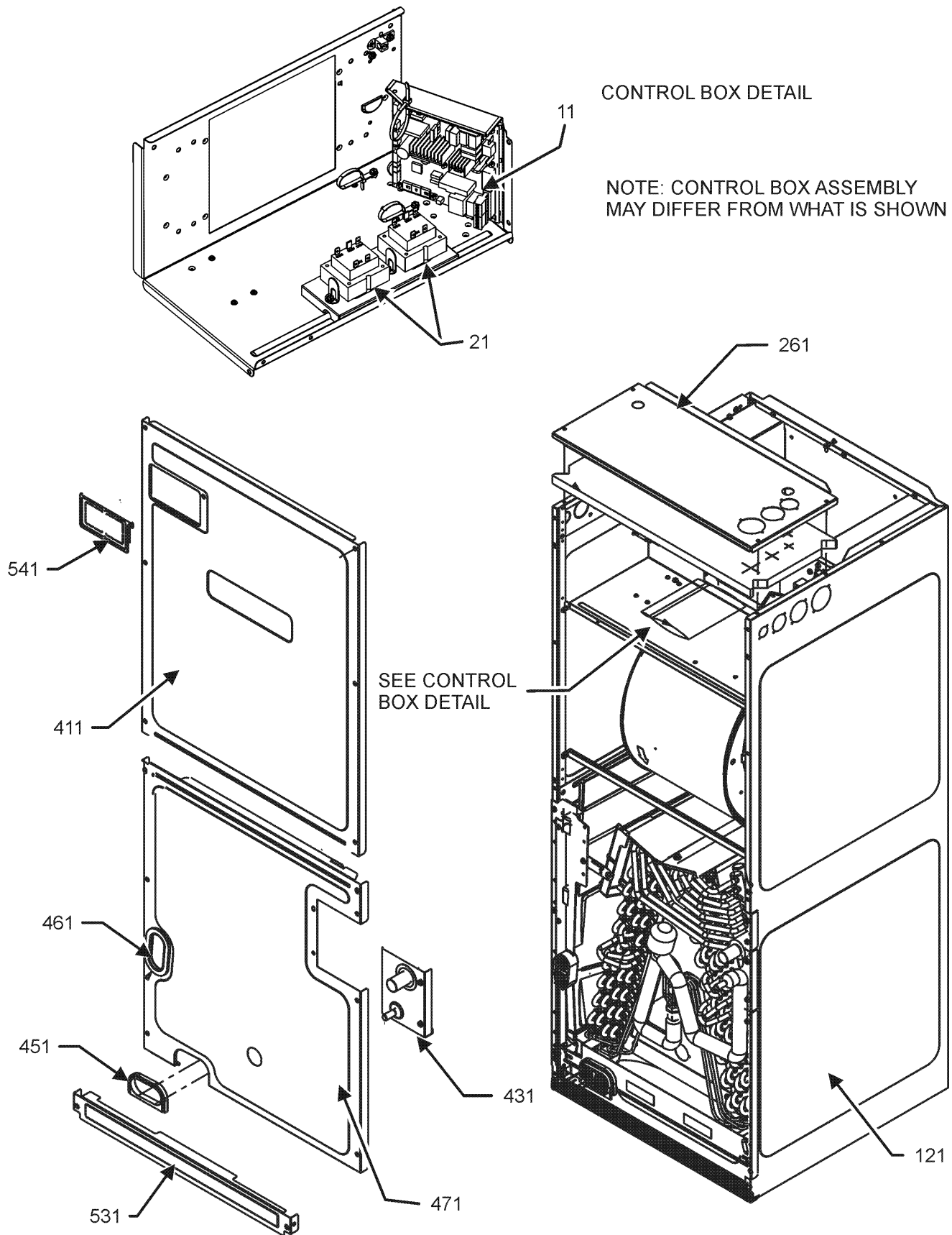
---

3P381420-2	EEV COIL
0131M00272	MOTOR, 1 HP, SERIAL ECM (M7, M8, M9, M10, M11, M12)
0131M00270	MOTOR, 1/2 HP, SERIAL ECM (M1, M2, M3)
0131M00271	MOTOR, 3/4 HP, SERIAL ECM (M4, M5, M6)
2P383866-1	PCB FAN ASSY
3S481012-1	PRESSURE SENSOR
3S500031-1	PULSE MOTOR EXPANS EEV
0130M00417	SHARED DATA (M6)
0130M00302	SHARED DATA (M1)
0130M00303	SHARED DATA (M4)
0130M00304	SHARED DATA (M7)
0130M00305	SHARED DATA (M10)
0130M00355	SHARED DATA (M2)
0130M00356	SHARED DATA (M5)
0130M00357	SHARED DATA (M8)
0130M00416	SHARED DATA (M3)
0130M00418	SHARED DATA (M9)
0130M00419	SHARED DATA (M12)
0130M00358	SHARED DATA (M11)
4P389796-1	THERMISTOR ASSY
0130M00138	TRANSFORMER 208/230, 24V (QTY 2)

### Expanded Model Nomenclature

M1 - AVPEC25B14AA
M2 - AVPEC25B14AB
M3 - AVPEC25B14AC
M4 - AVPEC37C14AA
M5 - AVPEC37C14AB
M6 - AVPEC37C14AC
M7 - AVPEC59D14AA
M8 - AVPEC59D14AB
M9 - AVPEC59D14AC
M10 - AVPEC61D14AA
M11 - AVPEC61D14AB
M12 - AVPEC61D14AC

# Control Panel and Wrapper Assembly



# Control Panel and Wrapper Assembly

## Ref. Part

No: No: Description:

## Ref. Part

No: No: Description:

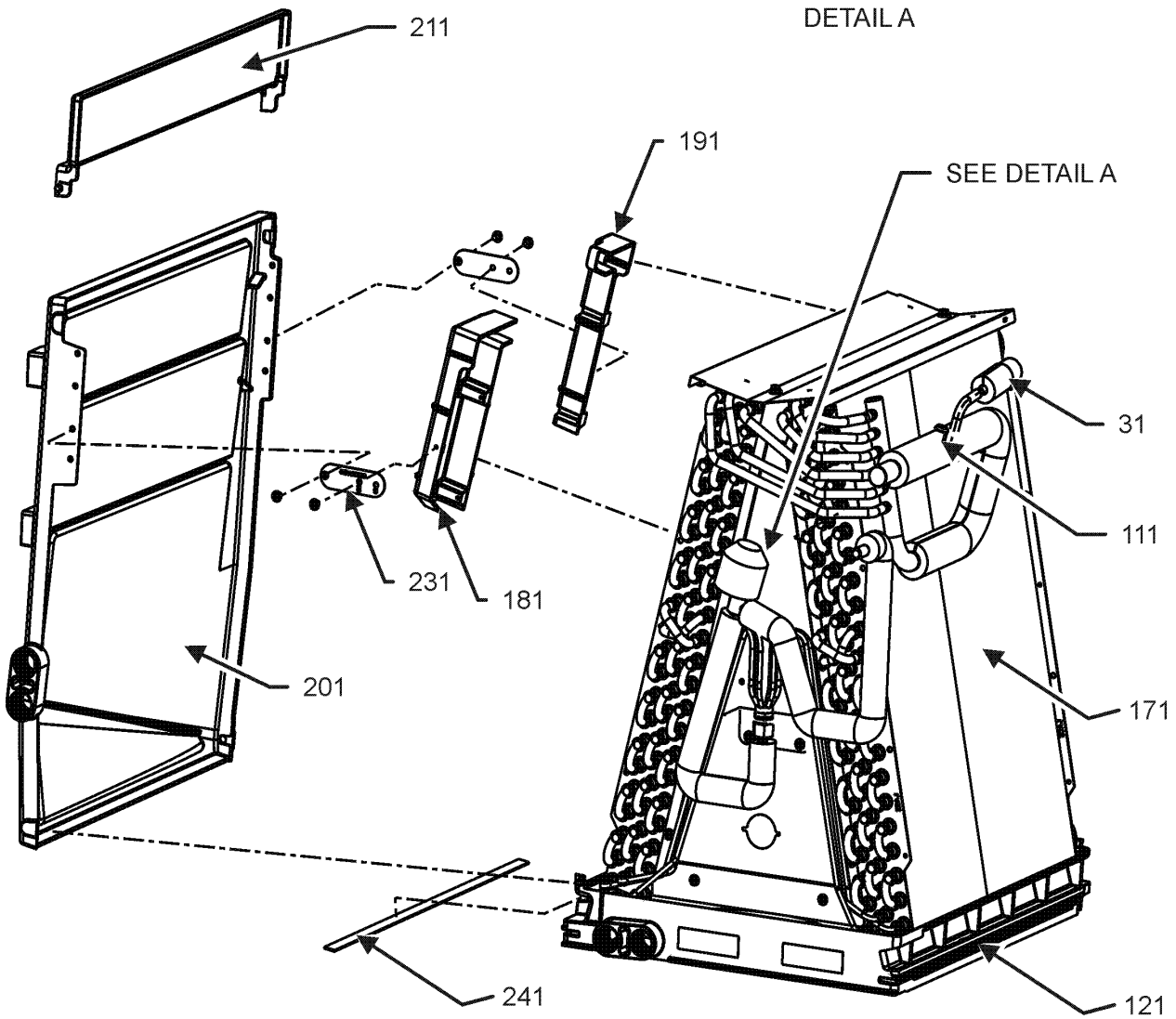
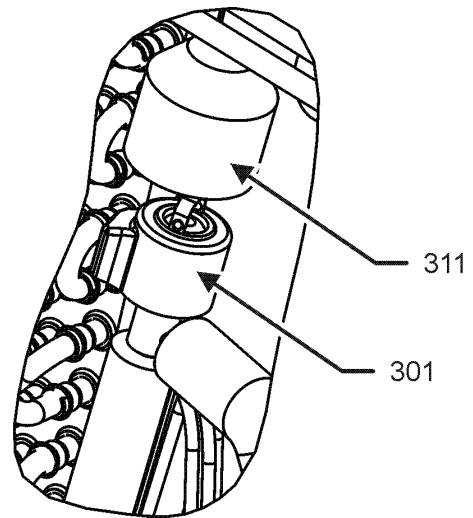
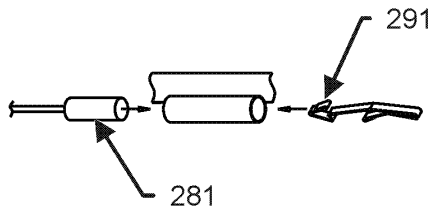
### Image 1:

11	2P383866-1	PCB FAN ASSY
21	0130M00138	TRANSFORMER 208/230, 24V (QTY 2)
121	0121A00455PDG	WRAPPER (M7, M8, M9)
121	0121A00456PDG	WRAPPER (M4, M5, M6)
121	0121A00458PDG	WRAPPER (M1, M2, M3)
121	0121A00276PDG	WRAPPER, LARGE, PAINTED (M10, M11, M12)
261	0121A00373PDG	Plate, Upper tie, Painted (M1, M2, M3)
261	0121A00374PDG	Plate, Upper tie, Painted (M4, M5, M6)
261	0121A00375PDG	Plate, Upper tie, Painted (M7, M8, M9, M10, M11, M12)
411	0121A00838PDG	PANEL, UPPER ACCESS (M1, M2, M3)
411	0121A00836PDG	PANEL, UPPER ACCESS (M7, M8, M9, M10, M11, M12)
411	0121A00837PDG	PANEL, UPPER ACCESS (M4, M5, M6)
431	0121A00658PDG	REFRIGERATION TUBING PANEL
451	0154A00006BL	GASKET, DRAIN PAN
461	0154A00007BL	GASKET, DRAIN PAN
471	0121A00460PDG	LOWER ACCESS PANEL (M7, M8, M9)
471	0121A00461PDG	LOWER ACCESS PANEL (M4, M5, M6)
471	0121A00463PDG	LOWER ACCESS PANEL (M1, M2, M3)
471	0121A00618PDG	LOWER ACCESS PANEL (M10, M11, M12)
531	0121A00242PDG	Panel, Filter Access, Ptd (M1, M2, M3)
531	0121A00243PDG	Panel, Filter Access, Ptd (M4, M5, M6)
531	0121A00244PDG	Panel, Filter Access, Ptd (M7, M8, M9, M10, M11, M12)
541	0161A00073	CIRCUIT BREAKER COVER
NS	0164A00002	GROMMET
NS	0163M00036	SCREW,#10X1/2,B,BZ,SLOT,SR,BLK (QTY 4)
NS	0130M00302	SHARED DATA (M1)
NS	0130M00303	SHARED DATA (M4)
NS	0130M00304	SHARED DATA (M7)
NS	0130M00305	SHARED DATA (M10)
NS	0130M00355	SHARED DATA (M2)
NS	0130M00356	SHARED DATA (M5)
NS	0130M00357	SHARED DATA (M8)
NS	0130M00358	SHARED DATA (M11)
NS	0130M00416	SHARED DATA (M3)
NS	0130M00417	SHARED DATA (M6)
NS	0130M00418	SHARED DATA (M9)
NS	0130M00419	SHARED DATA (M12)
NS	0163A00026	THUMB SCREW (QTY 2)
NS	B1392139	VIEW PORT BUSHING-BLOWER DOOR
NS	BT1392909	WASHER; SS RETAINING (QTY 2)
NS	0259A00021	WIRE ASSY, 9 PIN FEMALE CONN
NS	0259A00033P	WIRE ASSY, 9 PIN FEMALE CONN
NS	0259A00031P	WIRE HARNESS, CONNECTOR

### Expanded Model Nomenclature

M1 - AVPEC25B14AA
M2 - AVPEC25B14AB
M3 - AVPEC25B14AC
M4 - AVPEC37C14AA
M5 - AVPEC37C14AB
M6 - AVPEC37C14AC
M7 - AVPEC59D14AA
M8 - AVPEC59D14AB
M9 - AVPEC59D14AC
M10 - AVPEC61D14AA
M11 - AVPEC61D14AB
M12 - AVPEC61D14AC

# Coil Assembly



NOTE: COIL ASSEMBLY MAY DIFFER FROM WHAT IS SHOWN

# Coil Assembly

Ref. Part No:	Ref. Part No:	Description:	Description:
<b>Image 1:</b>			
31	3S481012-1	PRESSURE SENSOR	
111	B1787000	VALVE CORE	
121	0161A00049	DRAINPAN, VERTICAL (M1, M2, M3)	
121	0161A00051	DRAINPAN, VERTICAL (M7, M8, M9, M10, M11, M12)	
121	0161A00052	DRAINPAN, VERTICAL (M4, M5, M6)	
171	0270A01026	COIL TUBING ASSY (M1, M2, M3)	
171	0270A01027	COIL TUBING ASSY (M4, M5, M6)	
171	0270A01028	COIL TUBING ASSY (M7, M8, M9)	
171	0270A01029	COIL TUBING ASSY (M10, M11, M12)	
181	0161A00060	CONDENSATE, COLLECT, FRONT	
191	0161A00061	CONDENSATE, COLLECT, BACK	
201	0161A00053	DRAIN PAN HORIZONTAL, TALL	
211	0161A00054	DRAIN PAN, EXTENSION, SMALL (M1, M2, M3, M4, M5, M6, M7, M8, M9)	
211	0161A00056	DRAIN PAN, EXTENSION, TALL (M10, M11, M12)	
231	0121A00633	BRACKET, DRIP SHIELD (M1, M2, M3, M4, M5, M6)	
231	0121A00634	BRACKET, DRIP SHIELD (M7, M8, M9, M10, M11, M12)	
241	0154A00016	GASKET, PORON	
281	4P389796-1	THERMISTOR ASSY	
291	4PA38890-1	MOUNTING SPRING, THERMISTOR (QTY 2)	
301	3P381420-2	EEV COIL	
311	4P399446-1	WATERPROOF CAP	
NS	0163M00175	CAP WITH O-RING	
NS	0154A00006BL	Gasket, Drain Pan	
NS	0154A00007BL	Gasket, Drain Pan	
NS	3S500031-1	PULSE MOTOR EXPANS EEV	
NS	0259A00023	WIRE HARNESS ASSY	
NS	0259A00024	WIRE HARNESS ASSY	
NS	0259A00025	WIRE HARNESS ASSY	

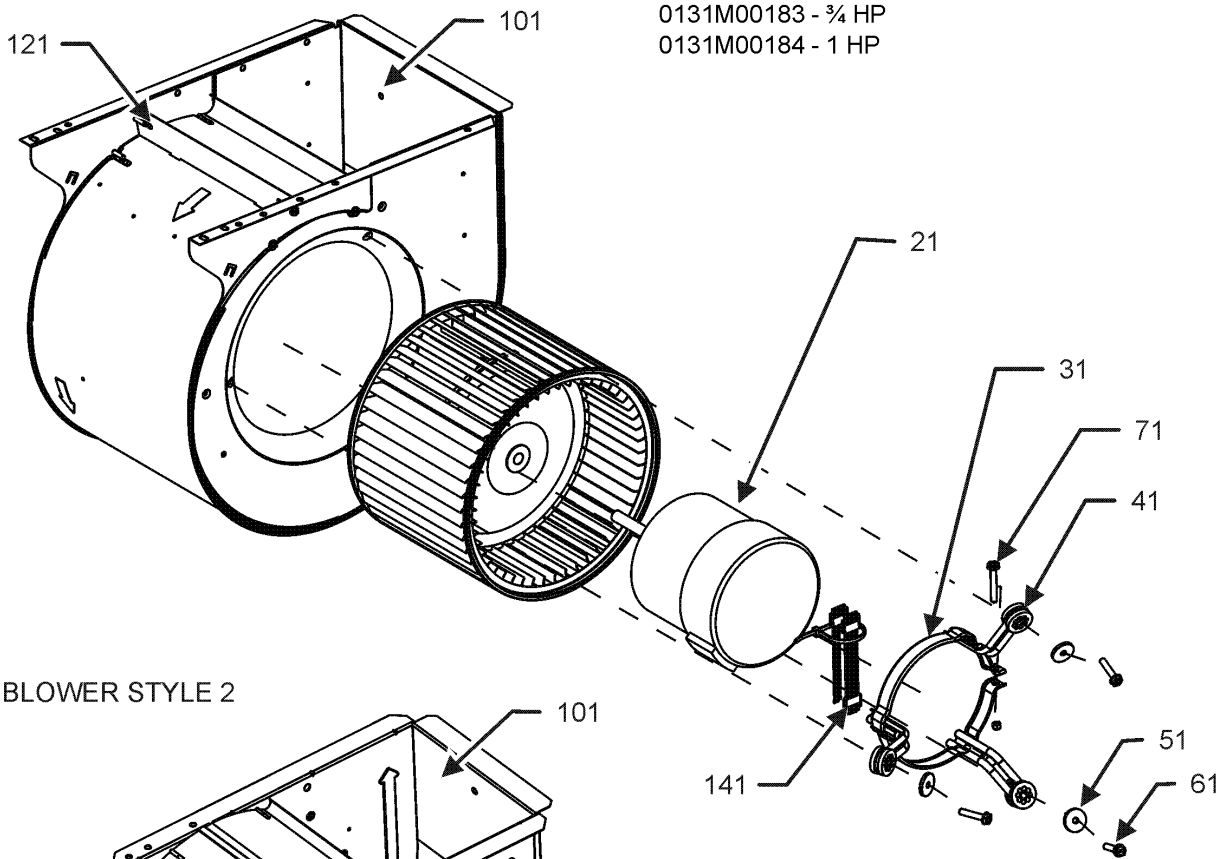
**Expanded Model Nomenclature**

- M1 - AVPEC25B14AA
- M2 - AVPEC25B14AB
- M3 - AVPEC25B14AC
- M4 - AVPEC37C14AA
- M5 - AVPEC37C14AB
- M6 - AVPEC37C14AC
- M7 - AVPEC59D14AA
- M8 - AVPEC59D14AB
- M9 - AVPEC59D14AC
- M10 - AVPEC61D14AA
- M11 - AVPEC61D14AB
- M12 - AVPEC61D14AC

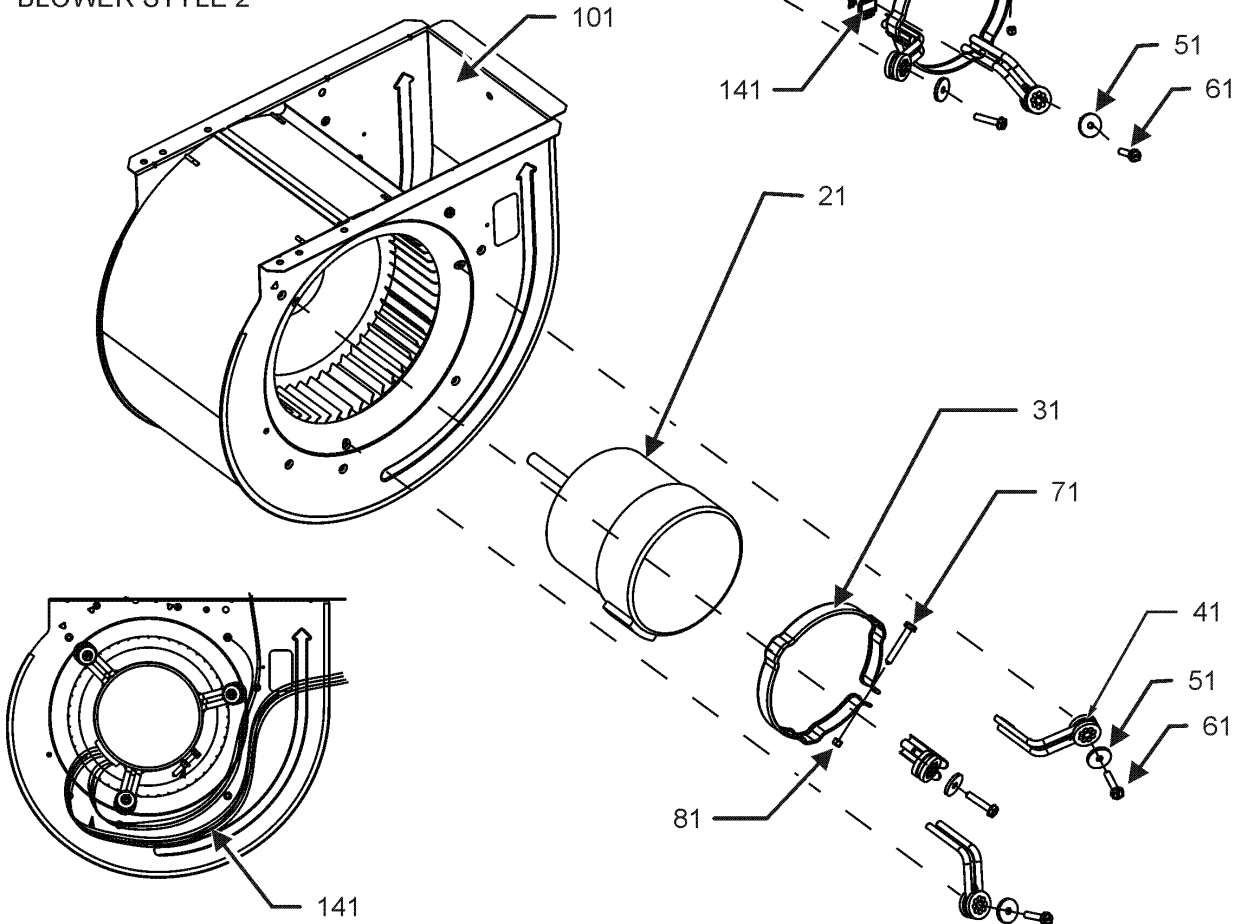
# Blower Assembly

## BLOWER STYLE 1

\*If end bells are needed please order the following:  
 0131M00182 - 1/2 HP  
 0131M00183 - 3/4 HP  
 0131M00184 - 1 HP



## BLOWER STYLE 2





# Blower Assembly

Ref. Part No:	Part No:	Description:	Ref. Part No:	Part No:	Description:
<i>Image 1:</i>					
21	0131M00272	MOTOR, 1 HP, SERIAL ECM (M7, M8, M9, M10, M11, M12)			
21	0131M00270	MOTOR, 1/2 HP, SERIAL ECM (M1, M2, M3)			
21	0131M00271	MOTOR, 3/4 HP, SERIAL ECM (M4, M5, M6)			
31	0121M00038	MOTOR MOUNT BAND (M1, M2, M3)			
31	0121M00039	MOTOR MOUNT BAND (HEAVY DUTY) (M4, M5, M6, M7, M8, M9, M10, M11, M12)			
41	B1376853	MOTOR MOUNT ARM (M1, M2, M3)			
41	B1376863	MOTOR MOUNT ARM (HEAVY DUTY) (M4, M5, M6, M7, M8, M9, M10, M11, M12)			
51	B1392918	WASHER, FLAT 1/4 ID X 1 OD (QTY 3)			
61	M0250565	TC SCREW 1.25" (QTY 3)			
71	0163M00320	HEX HED ALL THREAD TAP BOLT			
81	B1393800	LOCKNUT, NYLON, INSERT 1/4, 20			
101	0271A00016	BLOWER HOUSING ASSY 10 X 10 (M4, M5, M6)			
101	0271A00203	BLOWER SHELL ASSEMBLY (M1, M2, M3)			
101	0271A00206	BLOWER SHELL ASSY (M7, M8, M9, M10, M11, M12)			
121	764741	BLOWER BLOCK-OFF 10 X 10 (M4, M5, M6)			
131	D6723306	BLOWER WHEEL (M4, M5, M6)			
141	0259M00008	WIRE HARNESS			
NS	B1393530	SCREW HWH,10 X 1/2, A, YZD, SLOT, SR (M1, M2, M3, M7, M8, M9, M10, M11, M12)			

## Expanded Model Nomenclature

- M1 - AVPEC25B14AA
- M2 - AVPEC25B14AB
- M3 - AVPEC25B14AC
- M4 - AVPEC37C14AA
- M5 - AVPEC37C14AB
- M6 - AVPEC37C14AC
- M7 - AVPEC59D14AA
- M8 - AVPEC59D14AB
- M9 - AVPEC59D14AC
- M10 - AVPEC61D14AA
- M11 - AVPEC61D14AB
- M12 - AVPEC61D14AC