

---

## EHXD Electric Heater Kit for Small Chassis

EHXD-1S05  
EHXD-1S10  
EHXD-1S15  
EHXD-1S18  
EHXD-1S20  
EHXD-3S05  
EHXD-3S10  
EHXD-3S15  
EHXD-3S18  
EHXD-3S20  
EHXD-3S21  
EHXD-3S30  
EHXD-3S31  
EHXD-4S05  
EHXD-4S10  
EHXD-4S15  
EHXD-4S18  
EHXD-4S20  
EHXD-4S21  
EHXD-4S30  
EHXD-4S31  
EHXD-7S05  
EHXD-7S10  
EHXD-7S15  
EHXD-7S18  
EHXD-7S20  
EHXD-7S21  
EHXD-7S30  
EHXD-7S31



This manual is to be used by qualified technicians only.

# Important Information

---

## Index

Functional Parts List .....	3
Illustration and Parts .....	4 - 23

*Views shown are for parts illustrations only, not servicing procedures*

### Text Codes:

AR - As Required

NA - Not Available

NS - Not Shown

00000000 - See Note

QTY - Quantity Example (QTY 3) (If Quantity not shown, Quantity = 1)

M - Model Example (M1) (If M Code not shown, then part is used on all Models)

### Expanded Model Nomenclature:

Example M1 - Model#1 M2 - Model#2 M3 - Model#3
---

Daikin Company, L.P. is not responsible for personal injury or property damage resulting from improper service. Review all service information before beginning repairs.

Warranty service must be performed by an authorized technician, using authorized factory parts. If service is required after the warranty expires, Daikin Company, L.P. also recommends contacting an authorized technician and using authorized factory parts.

Daikin Company, L.P. reserves the right to discontinue, or change at any time, specifications or designs without notice or without incurring obligations.

For assistance within the U.S.A. contact:

Equipment Support  
Daikin North America, LLC  
19001 Kermier Road  
Waller, Texas 77484  
855-770-5678-Telephone  
713-863-2382-Facsimile

For assistance outside the U.S.A. contact:

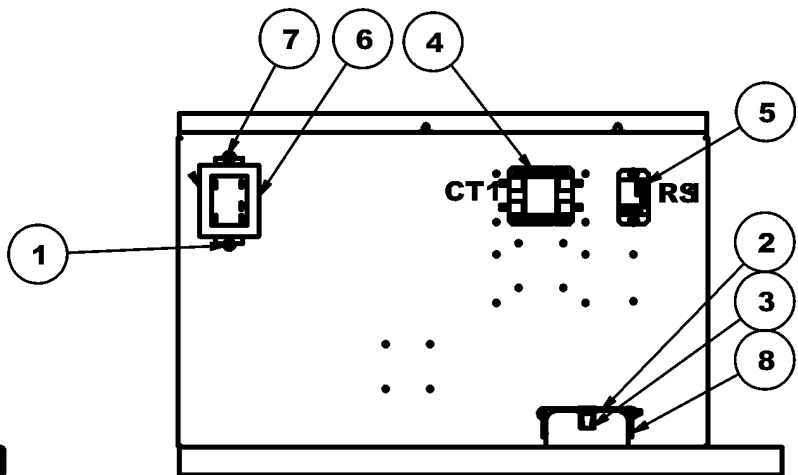
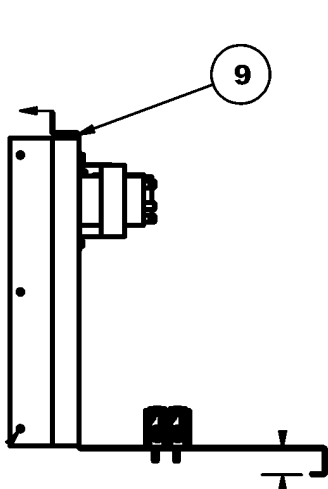
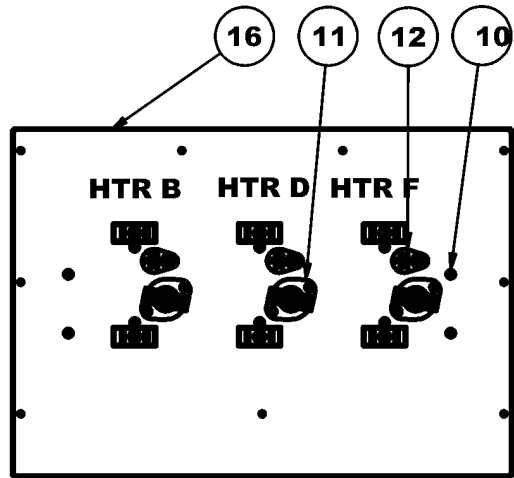
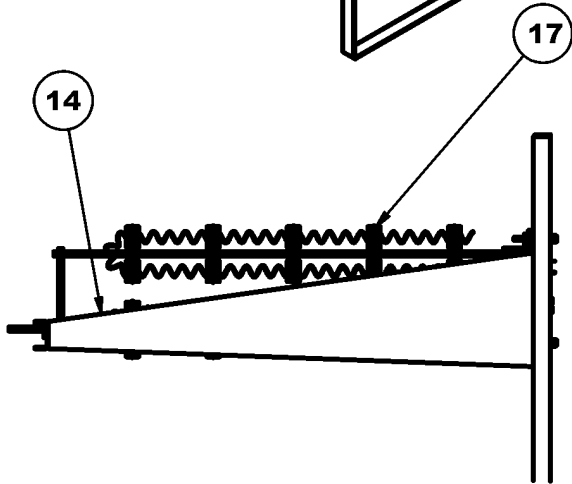
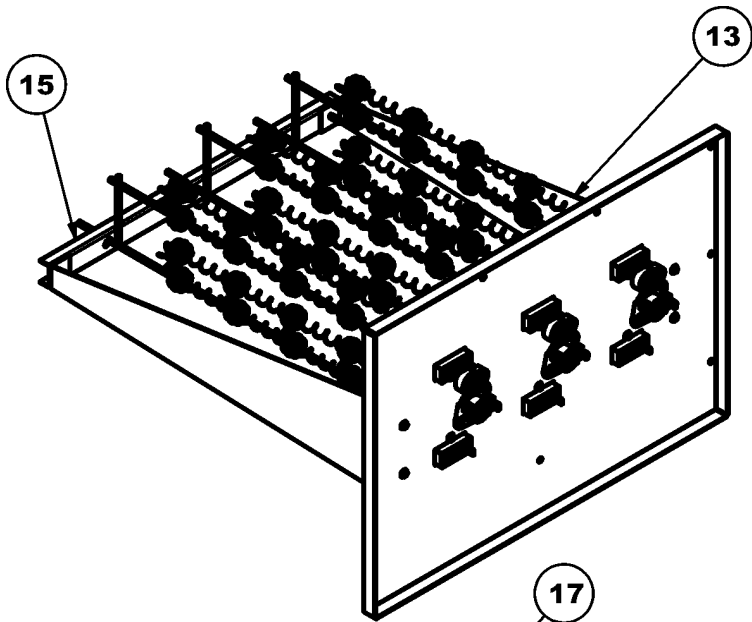
International Division  
Daikin North America, LLC  
19001 Kermier Road  
Waller, Texas 77484  
713-861-2500-Telephone  
713-863-2382-Facsimile

# Functional Parts

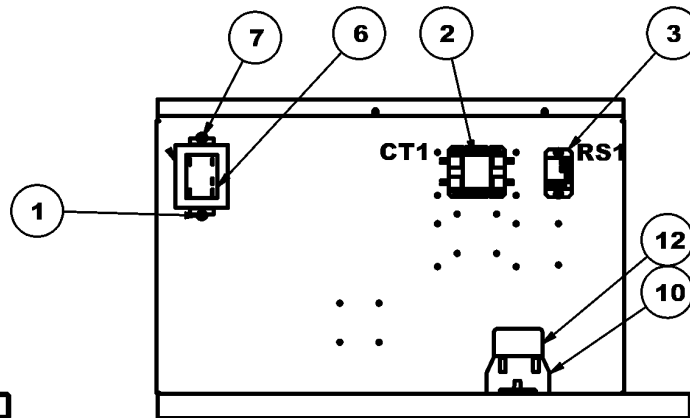
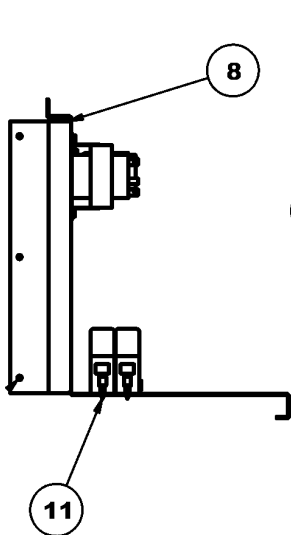
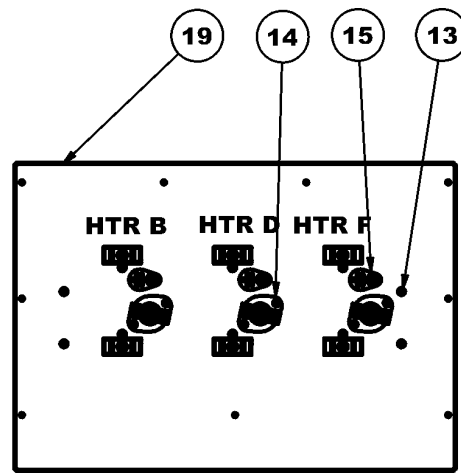
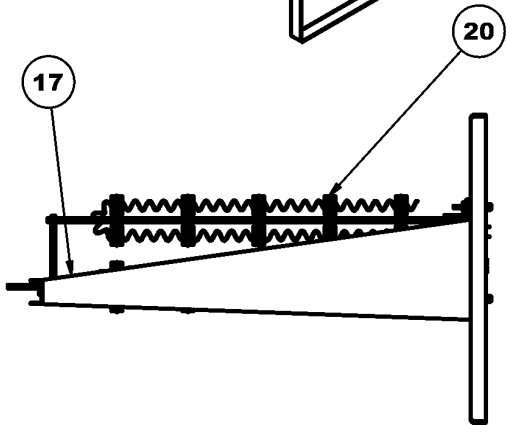
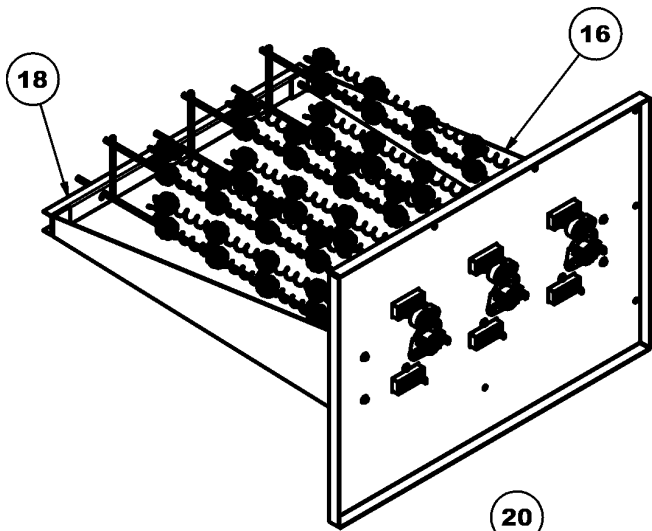
## Part

## No: Description:

Part No:	Description:	
5000-277-603	1.66kw Heating Element Assembly (M22)	0200-134-029 Plug Assembly (M3, M4, M5, M9, M10, M11, M12, M13, M18, M19, M20, M21, M25, M26, M27, M28, M29)
5000-277-503	1.66kw Heating Element Assembly (M1, M6)	0200-011-010P STEP AP203 (M2, M3, M4, M8)
0200-196-001P	104°C Fuse Link (M1, M2, M3, M4, M5, M6, M8, M10, M11)	<b>Expanded Model Nomenclature</b>
5000-275-487	10KW Heating Element Assembly (M20, M21)	M1 - EHxD-1S05
5000-275-502	10kw Heating Element Assembly (M12)	M2 - EHxD-1S10
5000-275-608	10KW Heating Element Assembly (M28, M29)	M3 - EHxD-1S15
0200-350-001P	128°C One Shot (M12)	M4 - EHxD-1S18
0200-183-001P	140°-45°F Thermostat (BL Stripe) (M11, M19, M27)	M5 - EHxD-1S20
0200-217-001P	180°-80°F Thermostat (M21, M29)	M6 - EHxD-3S05
0200-345-003P	190°-70°F Thermostat (M1, M2, M3, M4, M5, M6, M8, M10, M15, M16, M17, M18, M22, M23, M24, M25, M26)	M7 - EHxD-3S10
0200-167-010P	2 Pole Contactor (M1, M2, M3, M4, M5)	M8 - EHxD-3S15
0200-345-006P	220°-80°F Thermostat (M12, M20, M28)	M9 - EHxD-3S18
0200-229-001P	220°F One Shot (Orange) (M15, M16, M17, M18, M19, M21, M22, M23, M24, M25, M26, M27, M29)	M10 - EHxD-3S20
0200-346-004P	230°F One Shot (M20, M28)	M11 - EHxD-3S21
0200-213-003P	24 Volt Relay (M1, M2, M3, M4, M5, M6, M8, M10, M11, M12, M15, M16, M17, M18, M19, M20, M21, M22, M23, M24, M25, M26, M27, M28, M29)	M12 - EHxD-3S30
0200-303-240P	240V Transformer (M1, M2, M3, M4, M5, M6, M8, M10, M11, M12)	M13 - EHxD-3S31
0200-167-009P	3 Pole Contactor (M6, M8, M10, M11, M12, M15, M16, M17, M18, M19, M20, M21, M22, M23, M24, M25, M26, M27, M28, M29)	M14 - EHxD-4S05
5000-277-484	3.33Kw Heating Element Assembly (M15)	M15 - EHxD-4S10
5000-277-604	3.33kw Heating Element Assembly (M23)	M16 - EHxD-4S15
5000-277-504	3.33Kw Heating Element Assmebly (M2)	M17 - EHxD-4S18
0200-349-040P	40 Amp Cube Fuse (M3)	M18 - EHxD-4S20
0200-303-480P	480 Volt Transformer (M15, M16, M17, M18, M19, M20, M21)	M19 - EHxD-4S21
5000-277-502	5.0kw Heating Element Assembly (M8)	M20 - EHxD-4S30
0200-349-050P	50 Amp Cube Fuse (M4, M8, M12)	M21 - EHxD-4S31
5000-277-485	5Kw Heating Element Assembly (M16)	M22 - EHxD-7S05
5000-277-605	5kw Heating Element Assembly (M24)	M23 - EHxD-7S10
5000-275-506	5kw Heating Element Assembly (M3)	M24 - EHxD-7S15
5000-275-607	6.66KW Heating Element Assembly (M26, M27)	M25 - EHxD-7S18
5000-275-508	6.66kw Heating Element Assembly (M5, M10, M11)	M26 - EHxD-7S20
5000-275-486	6.66KW Heating Element Assembly (M18, M19)	M27 - EHxD-7S21
0200-349-060P	60 Amp Cube Fuse (M2, M5)	M28 - EHxD-7S30
0200-303-600P	600 Volt Transformer (M22, M23, M24, M25, M26, M27, M28, M29)	M29 - EHxD-7S31
5000-275-507	6kw Heating Element Assembly (M4)	
5000-275-485	6KW Heating Element Assembly (M17)	
5000-275-606	6KW Heating Element Assembly (M25)	
0200-147-001P	KTk-10 Mini Fuse (M22)	
0200-147-002P	KTk-15 Mini Fuse (M6, M15, M17, M18, M19, M23, M25, M26, M27)	
0200-147-003P	KTk-20 Mini Fuse (M1, M10, M24, M28, M29)	
0200-147-004P	KTk-25 Mini Fuse (M16, M20, M21)	
0200-147-005P	KTk-30 Mini Fuse (M11)	
0200-134-030	Plug Assembly (M1, M2, M6, M7, M8, M14, M15, M16, M17, M22, M23, M24)	



Ref. Part No:	Part No:	Description:	Ref. Part No:	Part No:	Description:
<b>Image 1:</b>			<b>Expanded Model Nomenclature</b>		
1	0200-011-005P	8-18 x .625" Screw (M1)	M1	-	EHXD-1S05
1	0200-011-005P	8-18 x .625" Screw (M6)	M2	-	EHXD-1S10
2	0200-146-001P	KTK Fuse Block (M6)	M3	-	EHXD-1S15
2	0200-146-003P	KTK Fuse Block (M1)	M4	-	EHXD-1S18
3	0200-147-002P	KTK-15 Mini Fuse (M6)	M5	-	EHXD-1S20
3	0200-147-003P	KTK-20 Mini Fuse (M1)	M6	-	EHXD-3S05
4	0200-167-010P	2 Pole Contactor (M1)	M7	-	EHXD-3S10
4	0200-167-009P	3 Pole Contactor (M6)	M8	-	EHXD-3S15
5	0200-213-003P	24 Volt Relay (M6)	M9	-	EHXD-3S18
5	0200-213-003P	24 Volt Relay (M1)	M10	-	EHXD-3S20
6	0200-303-240P	240V Transformer (M6)	M11	-	EHXD-3S21
6	0200-303-240P	240V Transformer (M1)	M12	-	EHXD-3S30
7	0200-304-001P	Ground Screw (M6)	M13	-	EHXD-3S31
7	0200-304-001P	Ground Screw (M1)	M14	-	EHXD-4S05
8	0200-347-001P	Mudular Fuse Cover (M1)	M15	-	EHXD-4S10
8	0200-347-001P	Mudular Fuse Cover (M6)	M16	-	EHXD-4S15
9	1000-353-001	Sub Panel (M1)	M17	-	EHXD-4S18
9	1000-353-001	Sub Panel (M6)	M18	-	EHXD-4S20
10	0200-011-005P	8-18 x .625" Screw (M1)	M19	-	EHXD-4S21
10	0200-011-005P	8-18 x .625" Screw (M6)	M20	-	EHXD-4S30
11	0200-345-003P	190°-70°F Therm ostat (M6)	M21	-	EHXD-4S31
11	0200-345-003P	190°-70°F Therm ostat (M1)	M22	-	EHXD-7S05
12	0200-196-001P	104°C Fuse Link (M1)	M23	-	EHXD-7S10
12	0200-196-001P	104°C Fuse Link (M6)	M24	-	EHXD-7S15
13	1000-339-001	Left Panel (M6)	M25	-	EHXD-7S18
13	1000-339-001	Left Panel (M1)	M26	-	EHXD-7S20
14	1000-339-002	Right Panel (M6)	M27	-	EHXD-7S21
14	1000-339-002	Right Panel (M1)	M28	-	EHXD-7S30
15	1000-353-002	Rear Support Panel (M1)	M29	-	EHXD-7S31
15	1000-353-002	Rear Support Panel (M6)			
16	1000-353-203	Terminal Plate (M6)			
16	1000-353-203	Terminal Plate (M1)			
17	5000-277-503	1.66kw Heating Element Assembly (M6)			
17	5000-277-503	1.66kw Heating Element Assembly (M1)			
NS	0200-134-030	Plug Assembly (M1)			
NS	0200-134-030	Plug Assembly (M6)			



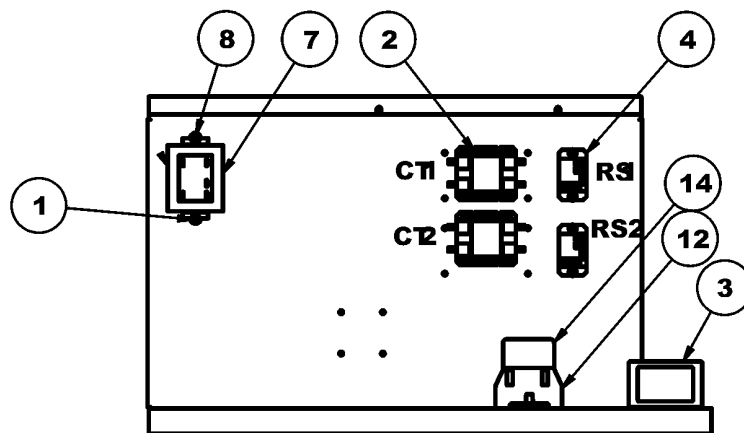
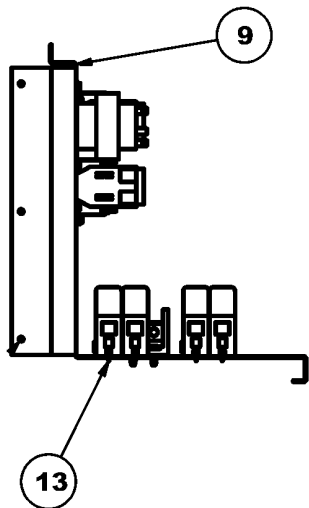
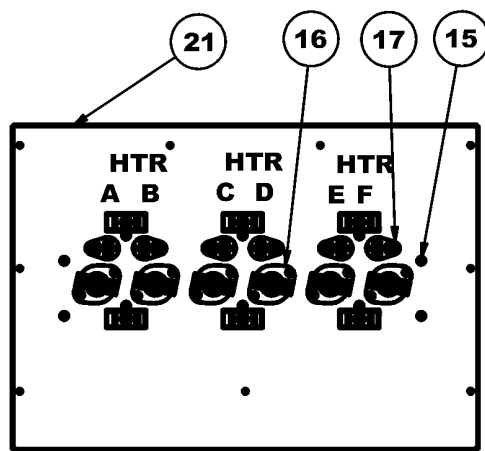
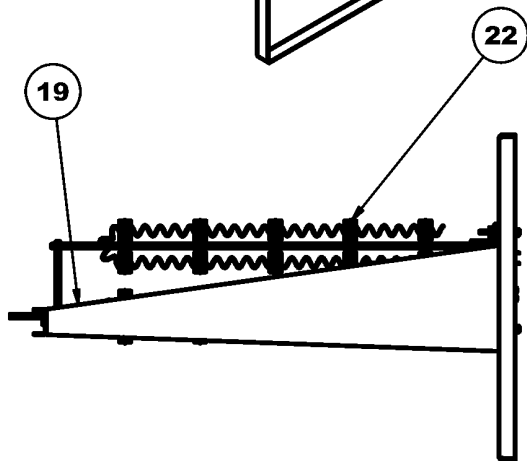
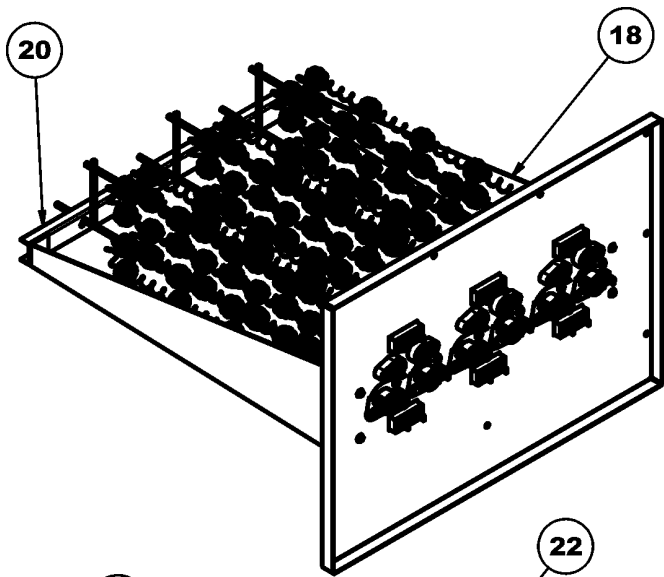
Ref. Part No:	Part No:	Description:	Ref. Part No:	Part No:	Description:
---------------	----------	--------------	---------------	----------	--------------

**Image 1:**

1	0200-011-005P	8-18 x .625" Screw (M2)
2	0200-167-010P	2 Pole Contactor (M2)
3	0200-213-003P	24 Volt Relay (M2)
6	0200-303-240P	240V Transformer (M2)
7	0200-304-001P	Ground Screw (M2)
8	1000-353-001	Sub Panel (M2)
10	0200-348-060P	Finger Safe Fuse Holder (M2)
11	0200-011-010P	STEP AP203 (M2)
12	0200-349-060P	60 Amp Cube Fuse (M2)
13	0200-011-005P	8-18 x .625" Screw (M2)
14	0200-345-003P	190°-70°F Thermostat (M2)
15	0200-196-001P	104°C Fuse Link (M2)
16	1000-339-001	Left Panel (M2)
17	1000-339-002	Right Panel (M2)
18	1000-353-002	Rear Support Panel (M2)
19	1000-353-203	Terminal Plate (M2)
20	5000-277-504	3.33Kw Heating Element Assmebly (M2)
NS	0200-134-030	Plug Assembly (M2)

**Expanded Model Nomenclature**

- M1 - EHXD-1S05
- M2 - EHXD-1S10
- M3 - EHXD-1S15
- M4 - EHXD-1S18
- M5 - EHXD-1S20
- M6 - EHXD-3S05
- M7 - EHXD-3S10
- M8 - EHXD-3S15
- M9 - EHXD-3S18
- M10 - EHXD-3S20
- M11 - EHXD-3S21
- M12 - EHXD-3S30
- M13 - EHXD-3S31
- M14 - EHXD-4S05
- M15 - EHXD-4S10
- M16 - EHXD-4S15
- M17 - EHXD-4S18
- M18 - EHXD-4S20
- M19 - EHXD-4S21
- M20 - EHXD-4S30
- M21 - EHXD-4S31
- M22 - EHXD-7S05
- M23 - EHXD-7S10
- M24 - EHXD-7S15
- M25 - EHXD-7S18
- M26 - EHXD-7S20
- M27 - EHXD-7S21
- M28 - EHXD-7S30
- M29 - EHXD-7S31





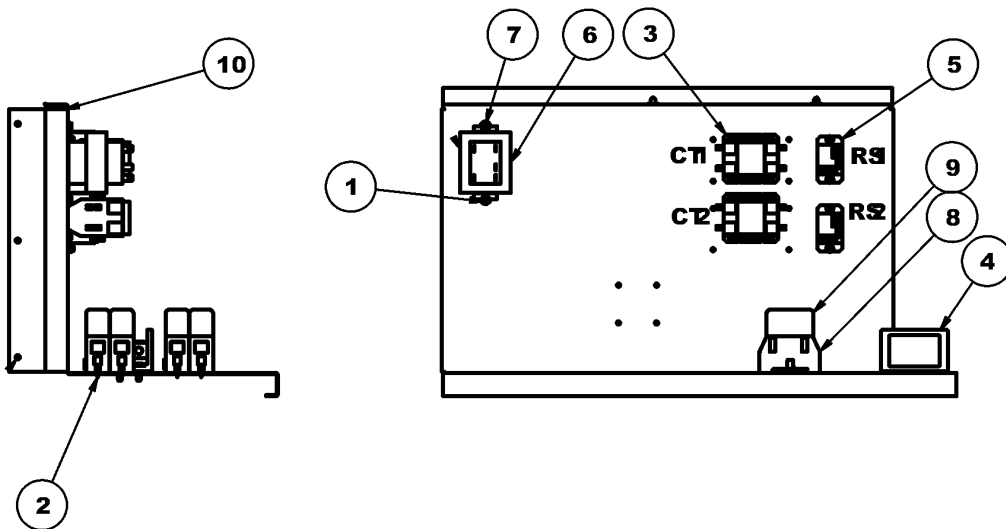
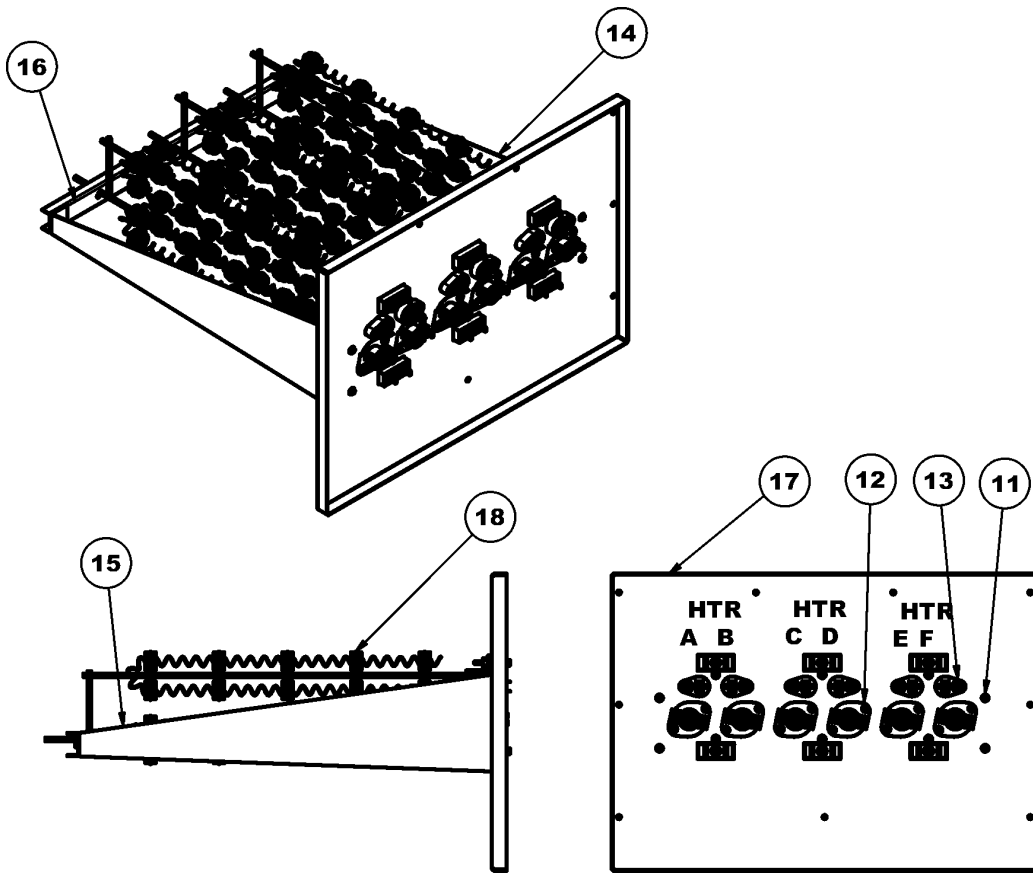
Ref. Part No:	Part No:	Description:	Ref. Part No:	Part No:	Description:
---------------	----------	--------------	---------------	----------	--------------

**Image 1:**

1	0200-011-005P	8-18 x .625" Screw (M3)
2	0200-167-010P	2 Pole Contactor (M3)
3	0200-169-002P	2 Pole Single Point Block (M3)
4	0200-213-003P	24 Volt Relay (M3)
7	0200-303-240P	240V Transformer (M3)
8	0200-304-001P	Ground Screw (M3)
9	1000-353-001	Sub Panel (M3)
12	0200-348-060P	Finger Safe Fuse Holder (M3)
13	0200-011-010P	STEP AP203 (M3)
14	0200-349-040P	40 Amp Cube Fuse (M3)
15	0200-011-005P	8-18 x .625" Screw (M3)
16	0200-345-003P	190°-70°F Thermostat (M3)
17	0200-196-001P	104°C Fuse Link (M3)
18	1000-339-001	Left Panel (M3)
19	1000-339-002	Right Panel (M3)
20	1000-353-002	Rear Support Panel (M3)
21	1000-353-206	Terminal Plate (M3)
22	5000-275-506	5kw Heating Element Assembly (M3)
NS	0200-134-029	Plug Assembly (M3)

**Expanded Model Nomenclature**

- M1 - EHXD-1S05
- M2 - EHXD-1S10
- M3 - EHXD-1S15
- M4 - EHXD-1S18
- M5 - EHXD-1S20
- M6 - EHXD-3S05
- M7 - EHXD-3S10
- M8 - EHXD-3S15
- M9 - EHXD-3S18
- M10 - EHXD-3S20
- M11 - EHXD-3S21
- M12 - EHXD-3S30
- M13 - EHXD-3S31
- M14 - EHXD-4S05
- M15 - EHXD-4S10
- M16 - EHXD-4S15
- M17 - EHXD-4S18
- M18 - EHXD-4S20
- M19 - EHXD-4S21
- M20 - EHXD-4S30
- M21 - EHXD-4S31
- M22 - EHXD-7S05
- M23 - EHXD-7S10
- M24 - EHXD-7S15
- M25 - EHXD-7S18
- M26 - EHXD-7S20
- M27 - EHXD-7S21
- M28 - EHXD-7S30
- M29 - EHXD-7S31



**Ref. Part  
No: No:**

**Description:**

**Ref. Part  
No: No:**

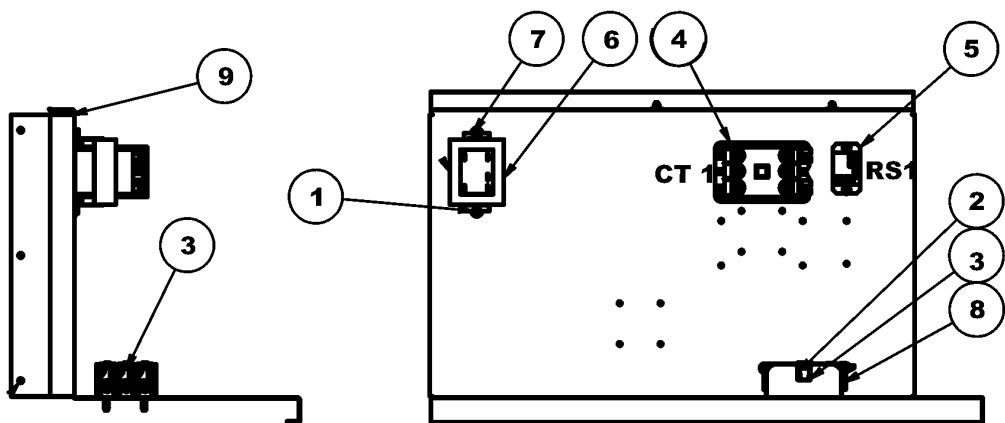
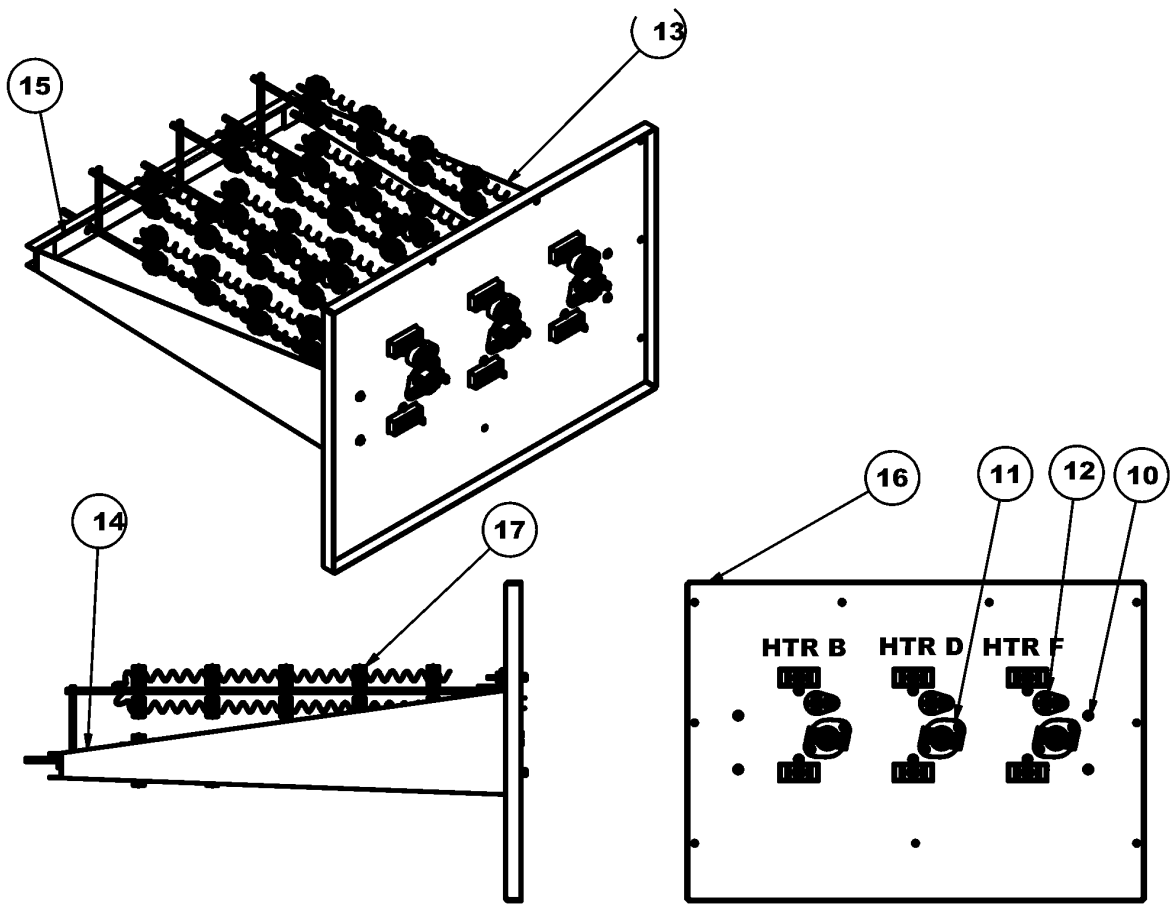
**Description:**

**Image 1:**

1	0200-011-005P	8-18 x .625" Screw (M4)
1	0200-011-005P	8-18 x .625" Screw (M5)
2	0200-011-010P	Philips Head Screw 1.25" (M5)
2	0200-011-010P	STEP AP203 (M4)
3	0200-167-010P	2 Pole Contactor (M4)
3	0200-167-010P	2 Pole Contactor (M5)
4	0200-169-002P	2 Pole Single Point Block (M4)
4	0200-169-002P	2 Pole Single Point Block (M5)
5	0200-213-003P	24 Volt Relay (M5)
5	0200-213-003P	24 Volt Relay (M4)
6	0200-303-240P	240V Transformer (M5)
6	0200-303-240P	240V Transformer (M4)
7	0200-304-001P	Ground Screw (M5)
7	0200-304-001P	Ground Screw (M4)
8	0200-348-060P	Finger Safe Fuse Holder (M5)
8	0200-348-060P	Finger Safe Fuse Holder (M4)
9	0200-349-050P	50 Amp Cube Fuse (M4)
9	0200-349-060P	60 Amp Cube Fuse (M5)
10	1000-353-001	Sub Panel (M5)
10	1000-353-001	Sub Panel (M4)
11	0200-011-005P	8-18 x .625" Screw (M4)
11	0200-011-005P	8-18 x .625" Screw (M5)
12	0200-345-003P	190°-70°F Thermostat (M5)
12	0200-345-003P	190°-70°F Thermostat (M4)
13	0200-196-001P	104°C Fuse Link (M4)
13	0200-196-001P	104°C Fuse Link (M5)
14	1000-339-001	Left Panel (M4)
14	1000-339-001	Left Panel (M5)
15	1000-339-002	Right Panel (M4)
15	1000-339-002	Right Panel (M5)
16	1000-353-002	Rear Support Panel (M5)
16	1000-353-002	Rear Support Panel (M4)
17	1000-353-206	Terminal Plate (M4)
17	1000-353-206	Terminal Plate (M5)
18	5000-275-508	6.66kw Heating Element Assembly (M5)
18	5000-275-507	6kw Heating Element Assembly (M4)
NS	0200-134-029	Plug Assembly (M5)
NS	0200-134-029	Plug Assembly (M4)

**Expanded Model Nomenclature**

M1 - EHXD-1S05
M2 - EHXD-1S10
M3 - EHXD-1S15
M4 - EHXD-1S18
M5 - EHXD-1S20
M6 - EHXD-3S05
M7 - EHXD-3S10
M8 - EHXD-3S15
M9 - EHXD-3S18
M10 - EHXD-3S20
M11 - EHXD-3S21
M12 - EHXD-3S30
M13 - EHXD-3S31
M14 - EHXD-4S05
M15 - EHXD-4S10
M16 - EHXD-4S15
M17 - EHXD-4S18
M18 - EHXD-4S20
M19 - EHXD-4S21
M20 - EHXD-4S30
M21 - EHXD-4S31
M22 - EHXD-7S05
M23 - EHXD-7S10
M24 - EHXD-7S15
M25 - EHXD-7S18
M26 - EHXD-7S20
M27 - EHXD-7S21
M28 - EHXD-7S30
M29 - EHXD-7S31



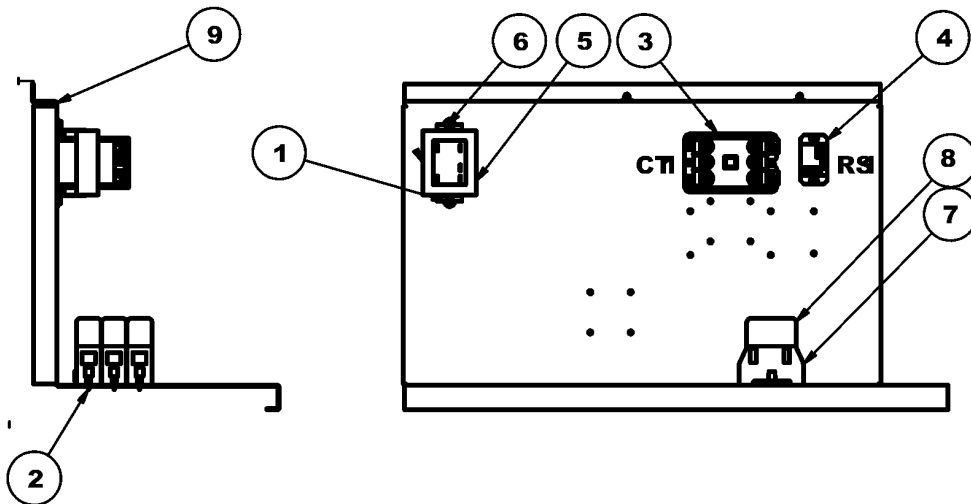
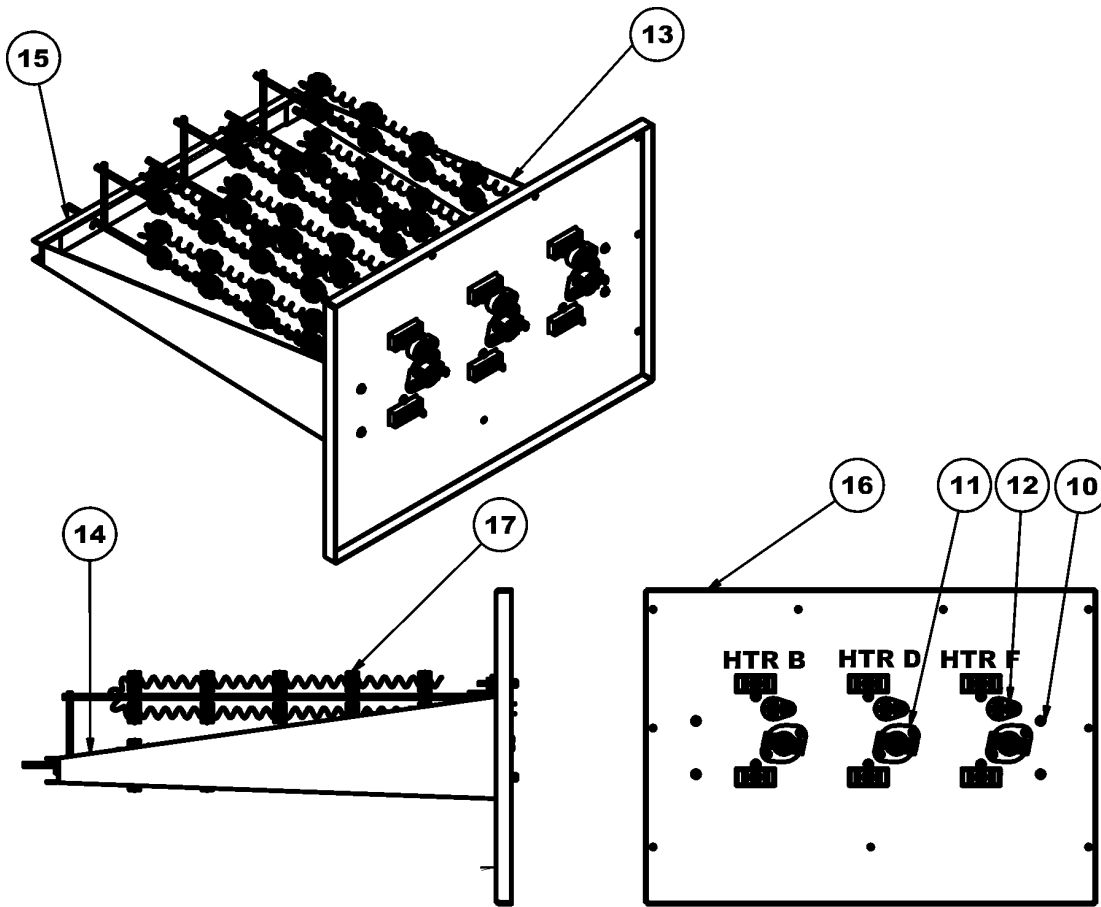
Ref. Part No:	Part No:	Description:	Ref. Part No:	Part No:	Description:
---------------	----------	--------------	---------------	----------	--------------

**Image 1:**

1	0200-011-005P	8-18 x .625" Screw (M7)
2	0200-146-001P	KTK Fuse Block (M7)
3	0200-147-003P	KTK-20 Mini Fuse (M7)
4	0200-167-009P	3 Pole Contactor (M7)
5	0200-213-003P	24 Volt Relay (M7)
6	0200-303-240P	240V Transformer (M7)
7	0200-304-001P	Ground Screw (M7)
8	0200-347-001P	Mudular Fuse Cover (M7)
9	1000-353-001	Sub Panel (M7)
10	0200-011-005P	8-18 x .625" Screw (M7)
11	0200-345-003P	190°-70°F Thermostat (M7)
12	0200-196-001P	104°C Fuse Link (M7)
13	1000-339-001	Left Panel (M7)
14	1000-339-002	Right Panel (M7)
15	1000-353-002	Rear Support Panel (M7)
16	1000-353-203	Terminal Plate (M7)
17	5000-277-504	3.33Kw Heating Element Assmebly (M7)
NS	0200-134-030	Plug Assembly (M7)

**Expanded Model Nomenclature**

- M1 - EHXD-1S05
- M2 - EHXD-1S10
- M3 - EHXD-1S15
- M4 - EHXD-1S18
- M5 - EHXD-1S20
- M6 - EHXD-3S05
- M7 - EHXD-3S10
- M8 - EHXD-3S15
- M9 - EHXD-3S18
- M10 - EHXD-3S20
- M11 - EHXD-3S21
- M12 - EHXD-3S30
- M13 - EHXD-3S31
- M14 - EHXD-4S05
- M15 - EHXD-4S10
- M16 - EHXD-4S15
- M17 - EHXD-4S18
- M18 - EHXD-4S20
- M19 - EHXD-4S21
- M20 - EHXD-4S30
- M21 - EHXD-4S31
- M22 - EHXD-7S05
- M23 - EHXD-7S10
- M24 - EHXD-7S15
- M25 - EHXD-7S18
- M26 - EHXD-7S20
- M27 - EHXD-7S21
- M28 - EHXD-7S30
- M29 - EHXD-7S31



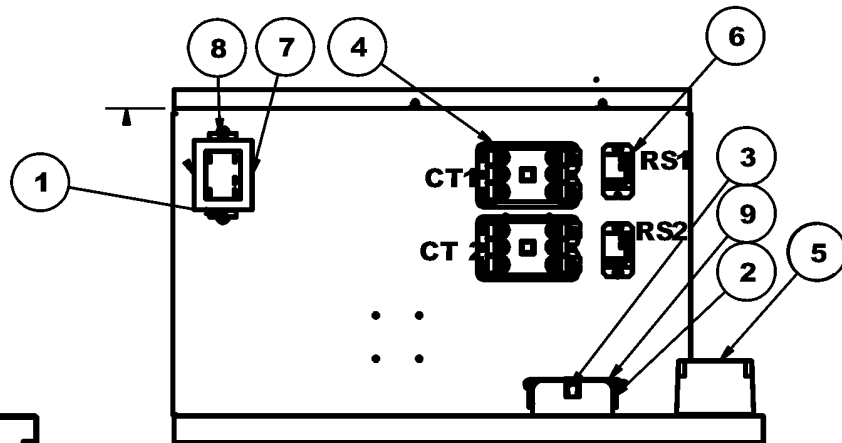
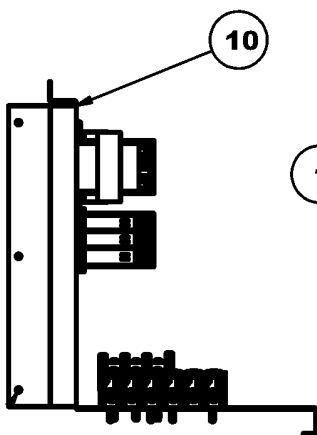
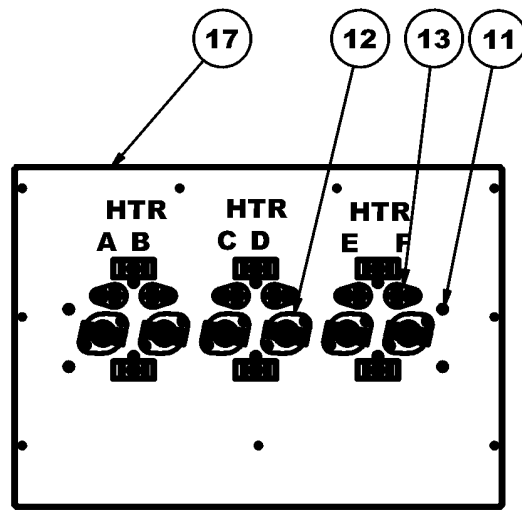
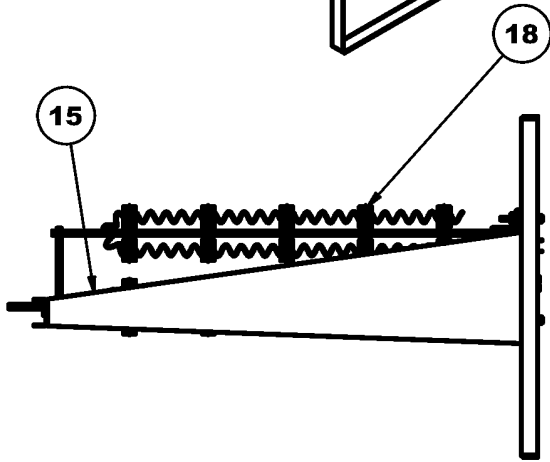
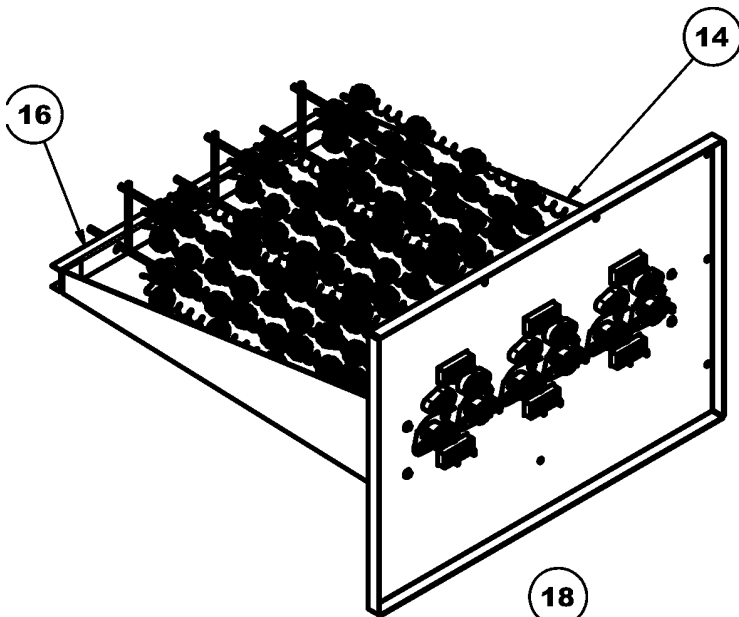
Ref. Part No:	Part No:	Description:	Ref. Part No:	Part No:	Description:
---------------	----------	--------------	---------------	----------	--------------

**Image 1:**

1	0200-011-005P	8-18 x .625" Screw (M8)
2	0200-011-010P	STEP AP203 (M8)
3	0200-167-009P	3 Pole Contactor (M8)
4	0200-213-003P	24 Volt Relay (M8)
5	0200-303-240P	240V Transformer (M8)
6	0200-304-001P	Ground Screw (M8)
7	0200-348-060P	Finger Safe Fuse Holder (M8)
8	0200-349-050P	50 Amp Cube Fuse (M8)
9	1000-353-001	Sub Panel (M8)
10	0200-011-005P	8-18 x .625" Screw (M8)
11	0200-345-003P	190°-70°F Thermostat (M8)
12	0200-196-001P	104°C Fuse Link (M8)
13	1000-339-001	Left Panel (M8)
14	1000-339-002	Right Panel (M8)
15	1000-353-002	Rear Support Panel (M8)
16	1000-353-203	Terminal Plate (M8)
17	5000-277-502	5.0kw Heating Element Assembly (M8)
NS	0200-134-030	Plug Assembly (M8)

**Expanded Model Nomenclature**

- M1 - EHXD-1S05
- M2 - EHXD-1S10
- M3 - EHXD-1S15
- M4 - EHXD-1S18
- M5 - EHXD-1S20
- M6 - EHXD-3S05
- M7 - EHXD-3S10
- M8 - EHXD-3S15
- M9 - EHXD-3S18
- M10 - EHXD-3S20
- M11 - EHXD-3S21
- M12 - EHXD-3S30
- M13 - EHXD-3S31
- M14 - EHXD-4S05
- M15 - EHXD-4S10
- M16 - EHXD-4S15
- M17 - EHXD-4S18
- M18 - EHXD-4S20
- M19 - EHXD-4S21
- M20 - EHXD-4S30
- M21 - EHXD-4S31
- M22 - EHXD-7S05
- M23 - EHXD-7S10
- M24 - EHXD-7S15
- M25 - EHXD-7S18
- M26 - EHXD-7S20
- M27 - EHXD-7S21
- M28 - EHXD-7S30
- M29 - EHXD-7S31





**Ref. Part  
No: No:**

**Description:**

**Ref. Part  
No: No:**

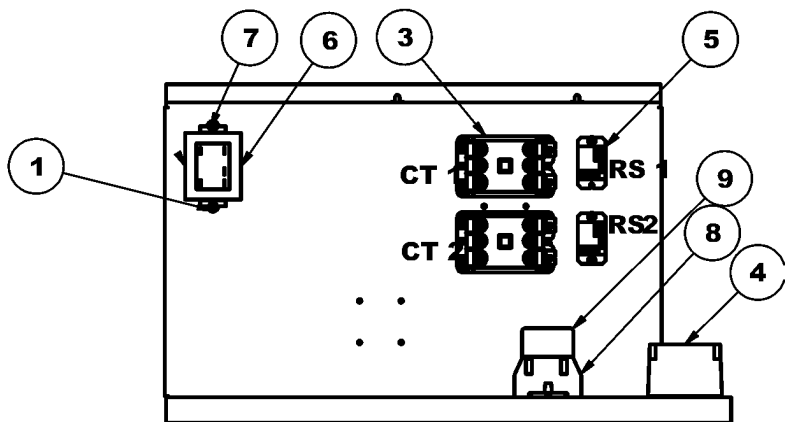
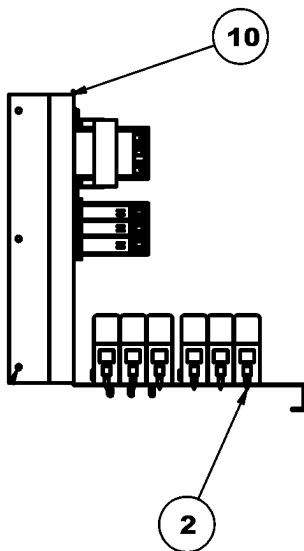
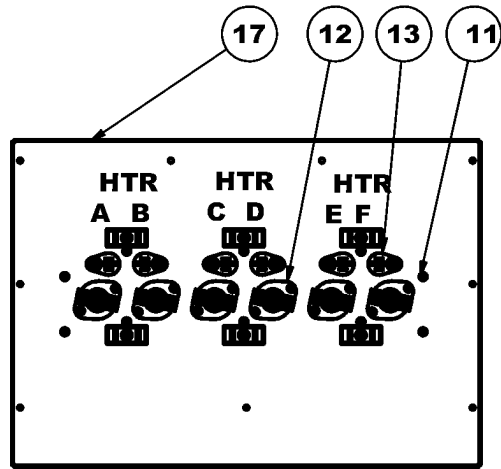
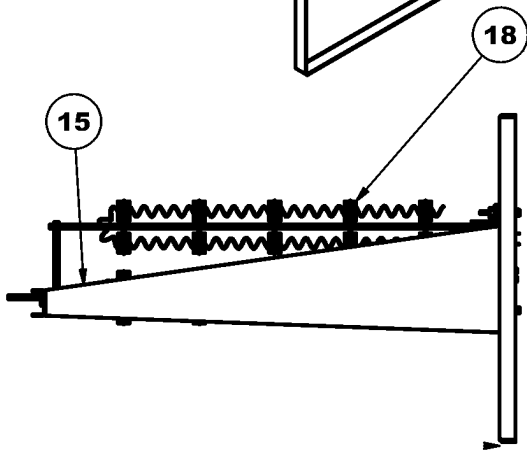
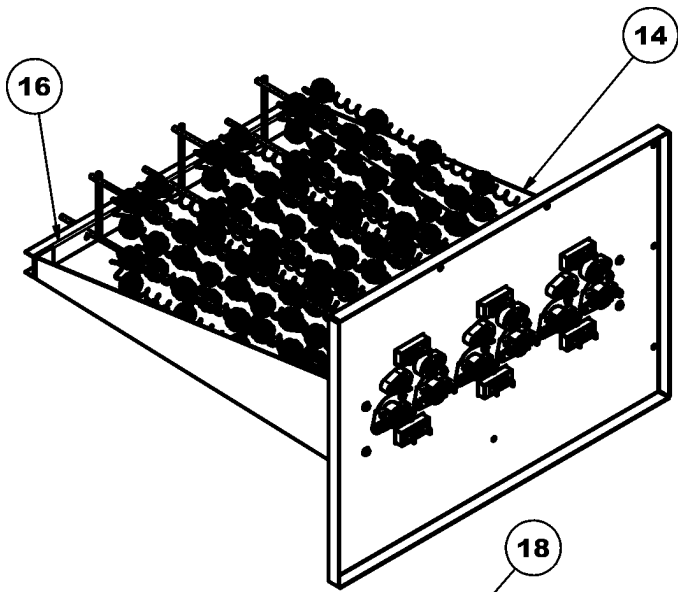
**Description:**

**Image 1:**

1	0200-011-005P	8-18 x .625" Screw (M11)
1	0200-011-005P	8-18 x .625" Screw (M10)
1	0200-011-005P	8-18 x .625" Screw (M9)
2	0200-146-001P	KTK Fuse Block (M10)
2	0200-146-001P	KTK Fuse Block (M9)
2	0200-146-001P	KTK Fuse Block (M11)
3	0200-147-003P	KTK-20 Mini Fuse (M10)
3	0200-147-003P	KTK-20 Mini Fuse (M9)
3	0200-147-005P	KTK-30 Mini Fuse (M11)
4	0200-167-009P	3 Pole Contactor (M10)
4	0200-167-009P	3 Pole Contactor (M11)
4	0200-167-009P	3 Pole Contactor (M9)
5	0200-169-001P	3 Pole Single Point Block (M9)
5	0200-169-001P	3 Pole Single Point Block (M10)
5	0200-169-001P	3 Pole Single Point Block (M11)
6	0200-213-003P	24 Volt Relay (M10)
6	0200-213-003P	24 Volt Relay (M9)
6	0200-213-003P	24 Volt Relay (M11)
7	0200-303-240P	240V Transformer (M9)
7	0200-303-240P	240V Transformer (M11)
7	0200-303-240P	240V Transformer (M10)
8	0200-304-001P	Ground Screw (M10)
8	0200-304-001P	Ground Screw (M9)
8	0200-304-001P	Ground Screw (M11)
9	0200-347-001P	Mudular Fuse Cover (M10)
9	0200-347-001P	Mudular Fuse Cover (M11)
9	0200-347-001P	Mudular Fuse Cover (M9)
10	1000-353-001	Sub Panel (M11)
10	1000-353-001	Sub Panel (M9)
10	1000-353-001	Sub Panel (M10)
11	0200-011-005P	8-18 x .625" Screw (M9)
11	0200-011-005P	8-18 x .625" Screw (M11)
11	0200-011-005P	8-18 x .625" Screw (M10)
12	0200-183-001P	140°-45°F Thermostat (BL Stripe) (M11)
12	0200-345-003P	190°-70°F Thermostat (M10)
12	0200-345-003P	190°-70°F Thermostat (M9)
13	0200-196-001P	104°C Fuse Link (M9)
13	0200-196-001P	104°C Fuse Link (M11)
13	0200-196-001P	104°C Fuse Link (M10)
14	1000-339-001	Left Panel (M11)
14	1000-339-001	Left Panel (M10)
14	1000-339-001	Left Panel (M9)
15	1000-339-002	Right Panel (M11)
15	1000-339-002	Right Panel (M9)
15	1000-339-002	Right Panel (M10)
16	1000-353-002	Rear Support Panel (M10)
16	1000-353-002	Rear Support Panel (M11)
16	1000-353-002	Rear Support Panel (M9)
17	1000-353-206	Terminal Plate (M11)
17	1000-353-206	Terminal Plate (M10)
17	1000-353-206	Terminal Plate (M9)
18	5000-275-508	6.66kw Heating Element Assembly (M10)
18	5000-275-508	6.66kw Heating Element Assembly (M11)
18	5000-275-507	6kw Heating Element Assembly (M9)
NS	0200-134-029	Plug Assembly (M11)
NS	0200-134-029	Plug Assembly (M9)
NS	0200-134-029	Plug Assembly (M10)

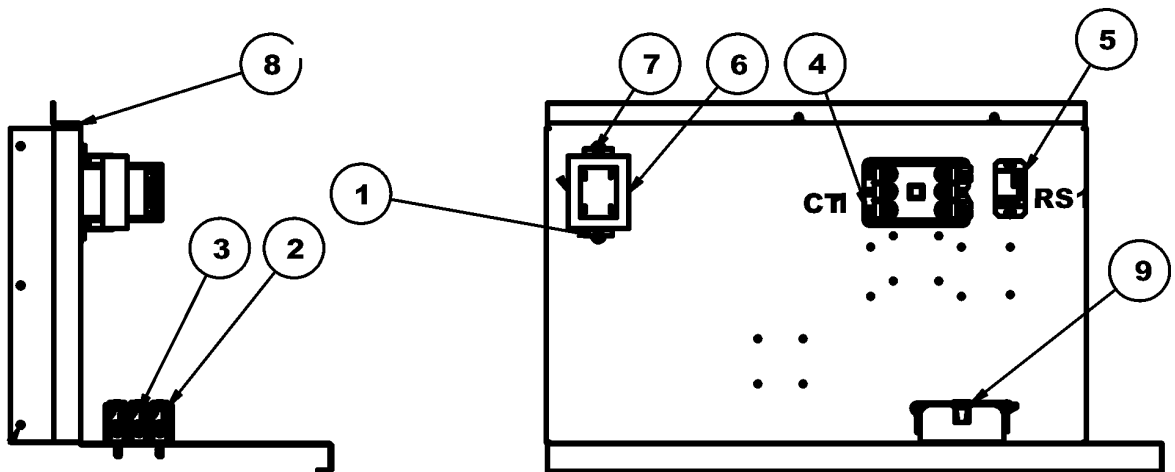
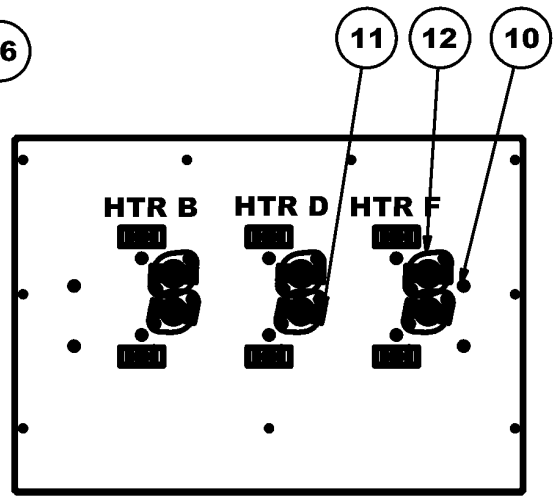
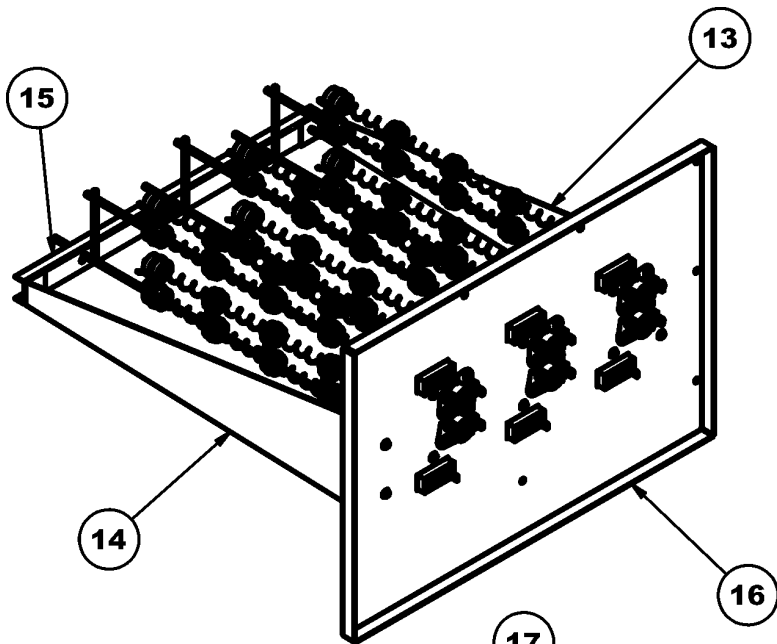
**Expanded Model Nomenclature**

M1 - EHXD-1S05
M2 - EHXD-1S10
M3 - EHXD-1S15
M4 - EHXD-1S18
M5 - EHXD-1S20
M6 - EHXD-3S05
M7 - EHXD-3S10
M8 - EHXD-3S15
M9 - EHXD-3S18
M10 - EHXD-3S20
M11 - EHXD-3S21
M12 - EHXD-3S30
M13 - EHXD-3S31
M14 - EHXD-4S05
M15 - EHXD-4S10
M16 - EHXD-4S15
M17 - EHXD-4S18
M18 - EHXD-4S20
M19 - EHXD-4S21
M20 - EHXD-4S30
M21 - EHXD-4S31
M22 - EHXD-7S05
M23 - EHXD-7S10
M24 - EHXD-7S15
M25 - EHXD-7S18
M26 - EHXD-7S20
M27 - EHXD-7S21
M28 - EHXD-7S30
M29 - EHXD-7S31



Ref. Part No:	Ref. Part No:	Description:	Description:
<b>Image 1:</b>			
1	0200-011-005P	8-18 x .625" Screw (M13)	
1	0200-011-005P	8-18 x .625" Screw (M12)	
2	0200-011-010P	Philips Head Screw 1.25" (M13)	
2	0200-011-010P	Philips Head Screw 1.25" (M12)	
3	0200-167-009P	3 Pole Contactor (M13)	
3	0200-167-009P	3 Pole Contactor (M12)	
4	0200-169-001P	3 Pole Single Point Block (M12)	
4	0200-169-001P	3 Pole Single Point Block (M13)	
5	0200-213-003P	24 Volt Relay (M13)	
5	0200-213-003P	24 Volt Relay (M12)	
6	0200-303-240P	240V Transformer (M13)	
6	0200-303-240P	240V Transformer (M12)	
7	0200-304-001P	Ground Screw (M12)	
7	0200-304-001P	Ground Screw (M13)	
8	0200-348-060P	Finger Safe Fuse Holder (M12)	
8	0200-348-060P	Finger Safe Fuse Holder (M13)	
9	0200-349-050P	50 Amp Cube Fuse (M12)	
9	0200-349-050P	50 Amp Cube Fuse (M13)	
10	1000-353-001	Sub Panel (M12)	
10	1000-353-001	Sub Panel (M13)	
11	0200-011-005P	8-18 x .625" Screw (M13)	
11	0200-011-005P	8-18 x .625" Screw (M12)	
12	0200-196-001P	104°C Fuse Link (M13)	
12	0200-345-006P	220°-80°F Thermostat (M12)	
13	0200-350-001P	128°C One Shot (M12)	
13	0200-217-001P	180°-80°F Thermostat (M13)	
14	1000-339-001	Left Panel (M13)	
14	1000-339-001	Left Panel (M12)	
15	1000-339-002	Right Panel (M12)	
15	1000-339-002	Right Panel (M13)	
16	1000-353-002	Rear Support Panel (M12)	
16	1000-353-002	Rear Support Panel (M13)	
17	1000-353-206	Terminal Plate (M12)	
17	1000-353-206	Terminal Plate (M13)	
18	5000-275-502	10kw Heating Element Assembly (M12)	
18	5000-275-502	10kw Heating Element Assembly (M13)	
NS	0200-134-029	Plug Assembly (M13)	
NS	0200-134-029	Plug Assembly (M12)	

Ref. Part No:	Ref. Part No:	Description:	Description:
<b>Expanded Model Nomenclature</b>			
	M1	- EHXD-1S05	
	M2	- EHXD-1S10	
	M3	- EHXD-1S15	
	M4	- EHXD-1S18	
	M5	- EHXD-1S20	
	M6	- EHXD-3S05	
	M7	- EHXD-3S10	
	M8	- EHXD-3S15	
	M9	- EHXD-3S18	
	M10	- EHXD-3S20	
	M11	- EHXD-3S21	
	M12	- EHXD-3S30	
	M13	- EHXD-3S31	
	M14	- EHXD-4S05	
	M15	- EHXD-4S10	
	M16	- EHXD-4S15	
	M17	- EHXD-4S18	
	M18	- EHXD-4S20	
	M19	- EHXD-4S21	
	M20	- EHXD-4S30	
	M21	- EHXD-4S31	
	M22	- EHXD-7S05	
	M23	- EHXD-7S10	
	M24	- EHXD-7S15	
	M25	- EHXD-7S18	
	M26	- EHXD-7S20	
	M27	- EHXD-7S21	
	M28	- EHXD-7S30	
	M29	- EHXD-7S31	



Ref. Part No:	Part No:	Description:	Ref. Part No:	Part No:	Description:
<b>Image 1:</b>			<b>Image 1:</b>		
1	0200-011-005P	8-18 x .625" Screw (M22)	10	0200-011-005P	8-18 x .625" Screw (M15)
1	0200-011-005P	8-18 x .625" Screw (M16)	10	0200-011-005P	8-18 x .625" Screw (M14)
1	0200-011-005P	8-18 x .625" Screw (M23)	10	0200-011-005P	8-18 x .625" Screw (M22)
1	0200-011-005P	8-18 x .625" Screw (M14)	11	0200-345-003P	190°-70°F Thermostat (M16)
1	0200-011-005P	8-18 x .625" Screw (M24)	11	0200-345-003P	190°-70°F Thermostat (M15)
1	0200-011-005P	8-18 x .625" Screw (M15)	11	0200-345-003P	190°-70°F Thermostat (M24)
2	0200-146-001P	KTK Fuse Block (M23)	11	0200-345-003P	190°-70°F Thermostat (M22)
2	0200-146-001P	KTK Fuse Block (M14)	11	0200-345-003P	190°-70°F Thermostat (M23)
2	0200-146-001P	KTK Fuse Block (M16)	11	0200-345-003P	190°-70°F Thermostat (M14)
2	0200-146-001P	KTK Fuse Block (M24)	12	0200-229-001P	220°F One Shot (Orange) (M23)
2	0200-146-001P	KTK Fuse Block (M15)	12	0200-229-001P	220°F One Shot (Orange) (M16)
2	0200-146-001P	KTK Fuse Block (M22)	12	0200-229-001P	220°F One Shot (Orange) (M22)
3	0200-147-001P	KTK-10 Mini Fuse (M14)	12	0200-229-001P	220°F One Shot (Orange) (M14)
3	0200-147-001P	KTK-10 Mini Fuse (M22)	12	0200-229-001P	220°F One Shot (Orange) (M15)
3	0200-147-002P	KTK-15 Mini Fuse (M23)	12	0200-229-001P	220°F One Shot (Orange) (M24)
3	0200-147-002P	KTK-15 Mini Fuse (M15)	13	1000-339-001	Left Panel (M15)
3	0200-147-003P	KTK-20 Mini Fuse (M24)	13	1000-339-001	Left Panel (M23)
3	0200-147-004P	KTK-25 Mini Fuse (M16)	13	1000-339-001	Left Panel (M14)
4	0200-167-009P	3 Pole Contactor (M14)	13	1000-339-001	Left Panel (M22)
4	0200-167-009P	3 Pole Contactor (M23)	13	1000-339-001	Left Panel (M24)
4	0200-167-009P	3 Pole Contactor (M24)	13	1000-339-001	Left Panel (M16)
4	0200-167-009P	3 Pole Contactor (M22)	14	1000-339-002	Right Panel (M15)
4	0200-167-009P	3 Pole Contactor (M16)	14	1000-339-002	Right Panel (M16)
4	0200-167-009P	3 Pole Contactor (M15)	14	1000-339-002	Right Panel (M23)
5	0200-213-003P	24 Volt Relay (M23)	14	1000-339-002	Right Panel (M24)
5	0200-213-003P	24 Volt Relay (M22)	14	1000-339-002	Right Panel (M22)
5	0200-213-003P	24 Volt Relay (M16)	14	1000-339-002	Right Panel (M14)
5	0200-213-003P	24 Volt Relay (M24)	15	1000-353-002	Rear Support Panel (M14)
5	0200-213-003P	24 Volt Relay (M14)	15	1000-353-002	Rear Support Panel (M15)
5	0200-213-003P	24 Volt Relay (M15)	15	1000-353-002	Rear Support Panel (M16)
6	0200-303-480P	480 Volt Transformer (M16)	15	1000-353-002	Rear Support Panel (M24)
6	0200-303-480P	480 Volt Transformer (M15)	15	1000-353-002	Rear Support Panel (M22)
6	0200-303-480P	480 Volt Transformer (M14)	15	1000-353-002	Rear Support Panel (M23)
6	0200-303-600P	600 Volt Transformer (M23)	16	1000-353-603	Terminal Plate (M22)
6	0200-303-600P	600 Volt Transformer (M24)	16	1000-353-603	Terminal Plate (M14)
6	0200-303-600P	600 Volt Transformer (M22)	16	1000-353-603	Terminal Plate (M15)
7	0200-304-001P	Ground Screw (M15)	16	1000-353-603	Terminal Plate (M16)
7	0200-304-001P	Ground Screw (M23)	16	1000-353-603	Terminal Plate (M23)
7	0200-304-001P	Ground Screw (M22)	16	1000-353-603	Terminal Plate (M24)
7	0200-304-001P	Ground Screw (M24)	17	5000-277-483	1.66Kw Heating Element Assembly (M14)
7	0200-304-001P	Ground Screw (M16)	17	5000-277-603	1.66kw Heating Element Assembly (M22)
7	0200-304-001P	Ground Screw (M14)	17	5000-277-484	3.33Kw Heating Element Assembly (M15)
8	1000-353-001	Sub Panel (M24)	17	5000-277-604	3.33kw Heating Element Assembly (M23)
8	1000-353-001	Sub Panel (M22)	17	5000-277-485	5Kw Heating Element Assembly (M16)
8	1000-353-001	Sub Panel (M15)	17	5000-277-605	5kw Heating Element Assembly (M24)
8	1000-353-001	Sub Panel (M23)	NS	0200-134-030	Plug assembly (M24)
8	1000-353-001	Sub Panel (M14)	NS	0200-134-030	Plug assembly (M23)
8	1000-353-001	Sub Panel (M16)	NS	0200-134-030	Plug Assembly (M14)
9	0200-347-001P	Mudular Fuse Cover (M16)	NS	0200-134-030	Plug Assembly (M16)
9	0200-347-001P	Mudular Fuse Cover (M15)	NS	0200-134-030	Plug Assembly (M15)
9	0200-347-001P	Mudular Fuse Cover (M24)	NS	0200-134-030	Plug assembly (M22)
9	0200-347-001P	Mudular Fuse Cover (M23)			
9	0200-347-001P	Mudular Fuse Cover (M22)			
9	0200-347-001P	Mudular Fuse Cover (M14)			
10	0200-011-005P	8-18 x .625" Screw (M23)			
10	0200-011-005P	8-18 x .625" Screw (M24)			
10	0200-011-005P	8-18 x .625" Screw (M16)			

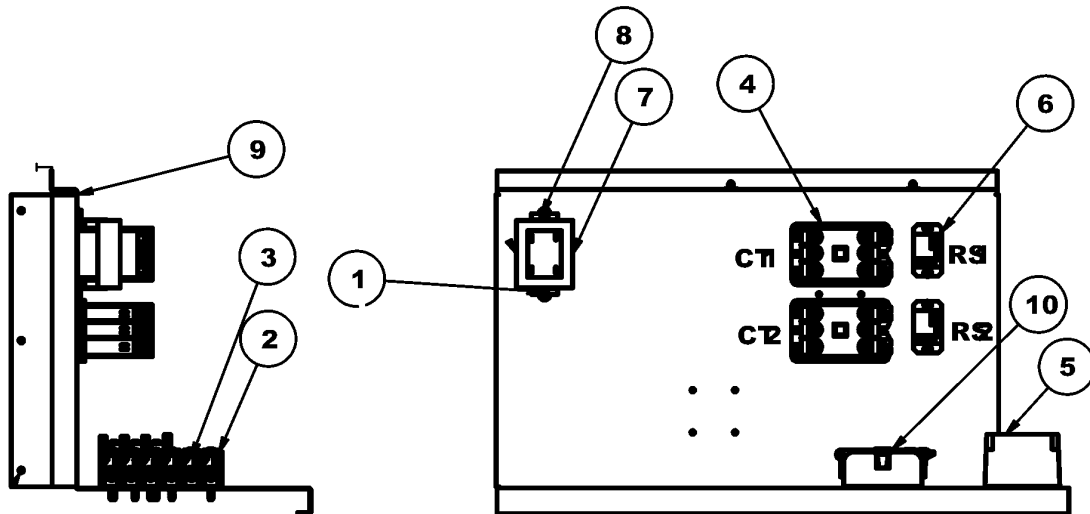
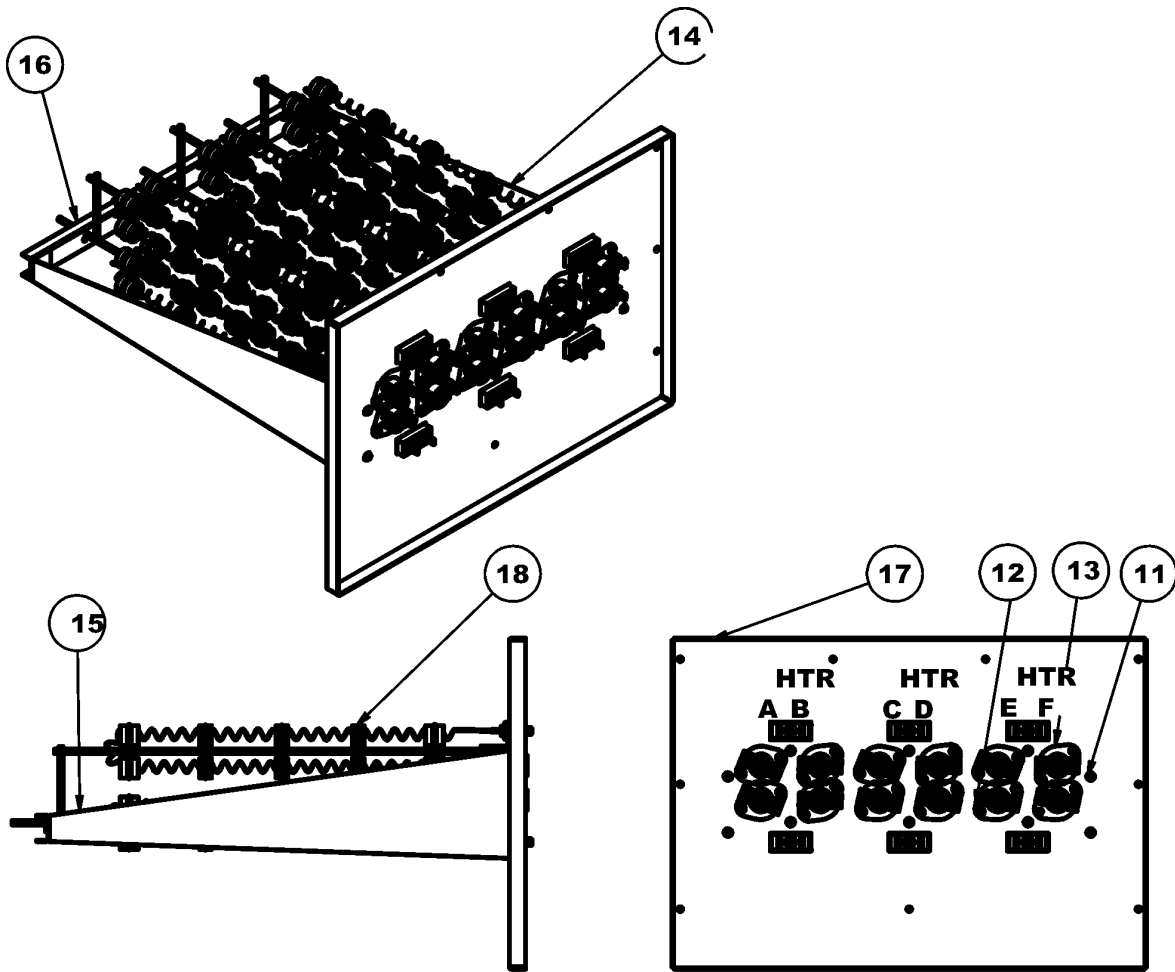
**Ref. Part**  
**No: No:            Description:**

**Ref. Part**  
**No: No:            Description:**

---

**Expanded Model Nomenclature**

- M1 - EHXD-1S05
- M2 - EHXD-1S10
- M3 - EHXD-1S15
- M4 - EHXD-1S18
- M5 - EHXD-1S20
- M6 - EHXD-3S05
- M7 - EHXD-3S10
- M8 - EHXD-3S15
- M9 - EHXD-3S18
- M10 - EHXD-3S20
- M11 - EHXD-3S21
- M12 - EHXD-3S30
- M13 - EHXD-3S31
- M14 - EHXD-4S05
- M15 - EHXD-4S10
- M16 - EHXD-4S15
- M17 - EHXD-4S18
- M18 - EHXD-4S20
- M19 - EHXD-4S21
- M20 - EHXD-4S30
- M21 - EHXD-4S31
- M22 - EHXD-7S05
- M23 - EHXD-7S10
- M24 - EHXD-7S15
- M25 - EHXD-7S18
- M26 - EHXD-7S20
- M27 - EHXD-7S21
- M28 - EHXD-7S30
- M29 - EHXD-7S31



Ref. Part No:	Part No:	Description:	Ref. Part No:	Part No:	Description:
<b>Image 1:</b>			<b>Image 1:</b>		
1	0200-011-005P	8-18 x .625" Screw (M29)	6	0200-213-003P	24 Volt Relay (M19)
1	0200-011-005P	8-18 x .625" Screw (M27)	6	0200-213-003P	24 Volt Relay (M26)
1	0200-011-005P	8-18 x .625" Screw (M28)	6	0200-213-003P	24 Volt Relay (M27)
1	0200-011-005P	8-18 x .625" Screw (M21)	7	0200-303-480P	480 Volt Transformer (M21)
1	0200-011-005P	8-18 x .625" Screw (M19)	7	0200-303-480P	480 Volt Transformer (M19)
1	0200-011-005P	8-18 x .625" Screw (M25)	7	0200-303-480P	480 Volt Transformer (M20)
1	0200-011-005P	8-18 x .625" Screw (M26)	7	0200-303-480P	480 Volt Transformer (M18)
1	0200-011-005P	8-18 x .625" Screw (M17)	7	0200-303-480P	480 Volt Transformer (M17)
1	0200-011-005P	8-18 x .625" Screw (M20)	7	0200-303-600P	600 Volt Transformer (M29)
1	0200-011-005P	8-18 x .625" Screw (M18)	7	0200-303-600P	600 Volt Transformer (M28)
2	0200-146-001P	KTK Fuse Block (M21)	7	0200-303-600P	600 Volt Transformer (M25)
2	0200-146-001P	KTK Fuse Block (M26)	7	0200-303-600P	600 Volt Transformer (M27)
2	0200-146-001P	KTK Fuse Block (M20)	7	0200-303-600P	600 Volt Transformer (M26)
2	0200-146-001P	KTK Fuse Block (M25)	8	0200-304-001P	Ground Screw (M21)
2	0200-146-001P	KTK Fuse Block (M28)	8	0200-304-001P	Ground Screw (M29)
2	0200-146-001P	KTK Fuse Block (M19)	8	0200-304-001P	Ground Screw (M28)
2	0200-146-001P	KTK Fuse Block (M29)	8	0200-304-001P	Ground Screw (M17)
2	0200-146-001P	KTK Fuse Block (M27)	8	0200-304-001P	Ground Screw (M18)
2	0200-146-001P	KTK Fuse Block (M18)	8	0200-304-001P	Ground Screw (M25)
2	0200-146-001P	KTK Fuse Block (M17)	8	0200-304-001P	Ground Screw (M19)
3	0200-147-002P	KTK-15 Mini Fuse (M19)	8	0200-304-001P	Ground Screw (M27)
3	0200-147-002P	KTK-15 Mini Fuse (M17)	8	0200-304-001P	Ground Screw (M20)
3	0200-147-002P	KTK-15 Mini Fuse (M26)	8	0200-304-001P	Ground Screw (M26)
3	0200-147-002P	KTK-15 Mini Fuse (M25)	9	1000-353-001	Sub Panel (M19)
3	0200-147-002P	KTK-15 Mini Fuse (M27)	9	1000-353-001	Sub Panel (M27)
3	0200-147-002P	KTK-15 Mini Fuse (M18)	9	1000-353-001	Sub Panel (M28)
3	0200-147-003P	KTK-20 Mini Fuse (M29)	9	1000-353-001	Sub Panel (M17)
3	0200-147-003P	KTK-20 Mini Fuse (M28)	9	1000-353-001	Sub Panel (M18)
3	0200-147-004P	KTK-25 Mini Fuse (M21)	9	1000-353-001	Sub Panel (M20)
3	0200-147-004P	KTK-25 Mini Fuse (M20)	9	1000-353-001	Sub Panel (M21)
4	0200-167-009P	3 Pole Contactor (M17)	9	1000-353-001	Sub Panel (M26)
4	0200-167-009P	3 Pole Contactor (M28)	9	1000-353-001	Sub Panel (M25)
4	0200-167-009P	3 Pole Contactor (M26)	9	1000-353-001	Sub Panel (M29)
4	0200-167-009P	3 Pole Contactor (M21)	10	0200-347-001P	Mudular Fuse Cover (M18)
4	0200-167-009P	3 Pole Contactor (M19)	10	0200-347-001P	Mudular Fuse Cover (M19)
4	0200-167-009P	3 Pole Contactor (M29)	10	0200-347-001P	Mudular Fuse Cover (M25)
4	0200-167-009P	3 Pole Contactor (M27)	10	0200-347-001P	Mudular Fuse Cover (M28)
4	0200-167-009P	3 Pole Contactor (M18)	10	0200-347-001P	Mudular Fuse Cover (M21)
4	0200-167-009P	3 Pole Contactor (M25)	10	0200-347-001P	Mudular Fuse Cover (M29)
4	0200-167-009P	3 Pole Contactor (M20)	10	0200-347-001P	Mudular Fuse Cover (M27)
5	0200-169-001P	3 Pole Single Point Block (M25)	10	0200-347-001P	Mudular Fuse Cover (M17)
5	0200-169-001P	3 Pole Single Point Block (M29)	10	0200-347-001P	Mudular Fuse Cover (M20)
5	0200-169-001P	3 Pole Single Point Block (M17)	10	0200-347-001P	Mudular Fuse Cover (M26)
5	0200-169-001P	3 Pole Single Point Block (M26)	11	0200-011-005P	8-18 x .625" Screw (M19)
5	0200-169-001P	3 Pole Single Point Block (M19)	11	0200-011-005P	8-18 x .625" Screw (M20)
5	0200-169-001P	3 Pole Single Point Block (M21)	11	0200-011-005P	8-18 x .625" Screw (M21)
5	0200-169-001P	3 Pole Single Point Block (M18)	11	0200-011-005P	8-18 x .625" Screw (M26)
5	0200-169-001P	3 Pole Single Point Block (M20)	11	0200-011-005P	8-18 x .625" Screw (M25)
5	0200-169-001P	3 Pole Single Point Block (M28)	11	0200-011-005P	8-18 x .625" Screw (M28)
5	0200-169-001P	3 Pole Single Point Block (M27)	11	0200-011-005P	8-18 x .625" Screw (M27)
6	0200-213-003P	24 Volt Relay (M29)	11	0200-011-005P	8-18 x .625" Screw (M17)
6	0200-213-003P	24 Volt Relay (M20)	11	0200-011-005P	8-18 x .625" Screw (M18)
6	0200-213-003P	24 Volt Relay (M28)	11	0200-011-005P	8-18 x .625" Screw (M29)
6	0200-213-003P	24 Volt Relay (M17)	12	0200-183-001P	140°-45°F Thermostat (BL Stripe) (M19)
6	0200-213-003P	24 Volt Relay (M18)	12	0200-183-001P	140°-45°F Thermostat (BL Stripe) (M27)
6	0200-213-003P	24 Volt Relay (M21)	12	0200-217-001P	180°-80°F Thermostat (M29)
6	0200-213-003P	24 Volt Relay (M25)	12	0200-217-001P	180°-80°F Thermostat (M21)



Ref. Part No: No:	Description:	Ref. Part No: No:	Description:
<b>Image 1:</b>		<b>Image 1:</b>	
12	0200-345-003P 190°-70°F Therm ostat (M17)	18	5000-275-487 10KW Heating Element Assembly (M21)
12	0200-345-003P 190°-70°F Therm ostat (M18)	18	5000-275-608 10KW Heating Element Assembly (M28)
12	0200-345-003P 190°-70°F Therm ostat (M26)	18	5000-275-608 10KW Heating Element Assembly (M29)
12	0200-345-003P 190°-70°F Therm ostat (M25)	18	5000-275-486 6.66KW Heating Element Assembly (M18)
12	0200-345-006P 220°-80°F Therm ostat (M20)	18	5000-275-486 6.66KW Heating Element Assembly (M19)
12	0200-345-006P 220°-80°F Therm ostat (M28)	18	5000-275-607 6.66KW Heating Element Assembly (M27)
13	0200-229-001P 220°F One Shot (M19)	18	5000-275-607 6.66KW Heating Element Assembly (M26)
13	0200-229-001P 220°F One Shot (M27)	18	5000-275-485 6KW Heating Element Assembly (M17)
13	0200-229-001P 220°F One Shot (M21)	18	5000-275-606 6KW Heating Element Assembly (M25)
13	0200-229-001P 220°F One Shot (M29)	NS	0200-134-029 Plug assembly (M17)
13	0200-229-001P 220°F One Shot (Orange) (M18)	NS	0200-134-029 Plug assembly (M18)
13	0200-229-001P 220°F One Shot (Orange) (M17)	NS	0200-134-029 Plug assembly (M19)
13	0200-229-001P 220°F One Shot (Orange) (M25)	NS	0200-134-029 Plug assembly (M20)
13	0200-229-001P 220°F One Shot (Orange) (M26)	NS	0200-134-029 Plug assembly (M21)
13	0200-346-004P 230°F One Shot (M20)	NS	0200-134-029 Plug assembly (M28)
13	0200-346-004P 230°F One Shot (M28)	NS	0200-134-029 Plug assembly (M29)
14	1000-339-001 Left Panel (M29)	NS	0200-134-029 Plug assembly (M25)
14	1000-339-001 Left Panel (M17)	NS	0200-134-029 Plug assembly (M26)
14	1000-339-001 Left Panel (M20)	NS	0200-134-029 Plug assembly (M27)
14	1000-339-001 Left Panel (M25)	<b>Expanded Model Nomenclature</b>	
14	1000-339-001 Left Panel (M28)	M1 - EHXD-1S05	
14	1000-339-001 Left Panel (M19)	M2 - EHXD-1S10	
14	1000-339-001 Left Panel (M18)	M3 - EHXD-1S15	
14	1000-339-001 Left Panel (M26)	M4 - EHXD-1S18	
14	1000-339-001 Left Panel (M21)	M5 - EHXD-1S20	
14	1000-339-001 Left Panel (M27)	M6 - EHXD-3S05	
15	1000-339-002 Right Panel (M28)	M7 - EHXD-3S10	
15	1000-339-002 Right Panel (M26)	M8 - EHXD-3S15	
15	1000-339-002 Right Panel (M21)	M9 - EHXD-3S18	
15	1000-339-002 Right Panel (M18)	M10 - EHXD-3S20	
15	1000-339-002 Right Panel (M17)	M11 - EHXD-3S21	
15	1000-339-002 Right Panel (M25)	M12 - EHXD-3S30	
15	1000-339-002 Right Panel (M29)	M13 - EHXD-3S31	
15	1000-339-002 Right Panel (M19)	M14 - EHXD-4S05	
15	1000-339-002 Right Panel (M27)	M15 - EHXD-4S10	
15	1000-339-002 Right Panel (M20)	M16 - EHXD-4S15	
16	1000-353-002 Rear Support Panel (M18)	M17 - EHXD-4S18	
16	1000-353-002 Rear Support Panel (M17)	M18 - EHXD-4S20	
16	1000-353-002 Rear Support Panel (M21)	M19 - EHXD-4S21	
16	1000-353-002 Rear Support Panel (M25)	M20 - EHXD-4S30	
16	1000-353-002 Rear Support Panel (M19)	M21 - EHXD-4S31	
16	1000-353-002 Rear Support Panel (M26)	M22 - EHXD-7S05	
16	1000-353-002 Rear Support Panel (M29)	M23 - EHXD-7S10	
16	1000-353-002 Rear Support Panel (M20)	M24 - EHXD-7S15	
16	1000-353-002 Rear Support Panel (M27)	M25 - EHXD-7S18	
16	1000-353-002 Rear Support Panel (M28)	M26 - EHXD-7S20	
17	1000-353-606 Terminal Plate (M26)	M27 - EHXD-7S21	
17	1000-353-606 Terminal Plate (M17)	M28 - EHXD-7S30	
17	1000-353-606 Terminal Plate (M29)	M29 - EHXD-7S31	
17	1000-353-606 Terminal Plate (M21)		
17	1000-353-606 Terminal Plate (M28)		
17	1000-353-606 Terminal Plate (M27)		
17	1000-353-606 Terminal Plate (M18)		
17	1000-353-606 Terminal Plate (M20)		
17	1000-353-606 Terminal Plate (M19)		
17	1000-353-606 Terminal Plate (M25)		
18	5000-275-487 10KW Heating Element Assembly (M20)		