



Submittal Data Sheet

R-32 3.0 ton Ducted Concealed Heat Pump SkyAir System

FBA36AAVJU-RZA36AAVJU

BENEFITS

- Medium external static pressure (ESP) capabilities offer up to 0.8" W.G.
- Connect to Daikin Zoning Kit (Optional)
- Dependable heat pump operation from -4°F in heating to 122°F in cooling
- DC Fan Motor
- Minimal Discharge Air Temperature - mitigate risk of condensation
- Auto Adjusting Airflow at commissioning based on external static pressure
- Ease of Maintenance with complete service access from below
- Built in Refrigerant Detection System with Dispersion Mode

INDOOR UNIT



OUTDOOR UNIT





Submittal Data Sheet

R-32 3.0 ton Ducted Concealed Heat Pump SkyAir System

FBA36AAVJU-RZA36AAVJU

SYSTEM PERFORMANCE

Indoor Unit Model No.	FBA36AAVJU	Indoor Unit Name:	R-32 3.0 TON HSP DUCTED CONCEALED
Outdoor Unit Model No.	RZA36AAVJU	Outdoor Unit Name:	R-32 SkyAir 3.0 T Heat Pump Single Zone
Rated Cooling Capacity (Btu/hr):	36,000	Rated Cooling Conditions:	Indoor (°F DB/WB): 80 / 67 Ambient (°F DB/WB): 95 / 75
Sensible Capacity (Btu/hr):	27,200	Rated Piping Length(ft):	25
Max/Min Cooling Capacity (Btu/hr):	/	Rated Height Difference (ft):	0.00
Cooling Input Power (kW):	3.520		
SEER2 (Non-Ducted/Ducted):	/ 16.90	HSPF2 (Non-Ducted/Ducted):	/ 8.8
EER2 (Non-Ducted/Ducted):	/ 11.80		
Rated Heating Capacity (Btu/hr):	40,000	Rated Heating Conditions:	Indoor (°F DB/WB): 70 / 60 Ambient (°F DB/WB): 47 / 43

SYSTEM DETAILS

Refrigerant Type:	R-32	Cooling Operation Range (°F DB):	23 - 122
Holding Refrigerant Charge (lbs):	7.5	Heating Operation Range (°F WB):	-4 - 60
Additional Charge (oz/ft):	0.04	Max. Pipe Length (Vertical) (ft):	98
Pre-charge Piping (Length) (ft):	25	Cooling Range w/Baffle (°F DB):	23 - 122
Max. Pipe Length (Total) (ft):	230		
Max Height Separation (Ind to Ind ft):	0		

Submittal Data Sheet

R-32 3.0 ton Ducted Concealed Heat Pump SkyAir System

FBA36AAVJU-RZA36AAVJU

INDOOR UNIT DETAILS

Power Supply (V/Hz/Ph):	208-230 / 60 / 1	Airflow Rate (H/M/L) (CFM):	1130/953/795
Power Supply Connections:	T1, T2	Moisture Removal (Gal/hr):	
Min. Circuit Amps MCA (A):	3.1	Gas Pipe Connection (inch):	5/8
Max Overcurrent Protection (MOP) (A):	15	Liquid Pipe Connection (inch):	3/8
Dimensions (HxWxD) (in):	9-11/16 x 55-1/8 x 31-1/2	Condensate Connection (inch):	1-1/4
Ext. Static Pressure (Rated/Max) (inWg):	/	Sound Pressure (H/M/L) (dBA):	44/40/36
Net Weight (lb):	101	Sound Power Level (dBA):	

DIMENSIONAL DRAWING - INDOOR UNIT

Notes:

- Location of name plate : control box cover
- Make sure to mount an air filter inside air passage of the suction side. (Select dust collection efficiency (gravimetric method) 50% or more.)
- If the temperature and humidity in the ceiling is likely to exceed 96° F (30°C) and RH60%, reinforce thermal insulation by applying additional insulation materials such as glass wool or polyethylene that have thickness of 3/8 (10) or more.
- Do not put anything that should not get wet under the indoor unit. Dew may drop when humidity reaches over 80%, drain gets stuck or air filter is clogged.
- Space for service works
 - Provide service space for service work such as check and maintenance of the control box and drain pump by one of the following ways.
 - Inspection hatch 1 and 2 (17-3/4 x 17-3/4) (450x450) (Fig. A-1) and a space of 11-13/16 (300mm) or more under the unit. (Fig. A)

Note: Inspection hatch 2 is not needed when there is a space for service work under the unit.
 - Inspection hatch 1 (17-3/4 x 17-3/4) (450x450) on the control box side, and Inspection hatch 2 under the unit. (View B-1)
 - Inspection hatch 3 under the unit and control box. (View B-2)
 - Provide enough space for maintenance and mount the drain pan and control box.
 - Check the drawing of optional accessories when mounting optional accessories such as filter chamber.

ITEM	PART NAME	REMARK
13	Drain socket	
12	Drain hose (Accessory)	
11	Socket (for maintenance)	0.3 φ1" (φ25)
10	Hanger bracket	For MS-MTD or equivalent
9	Air suction flange	
8	Air discharge flange	
7	Power supply wiring connection	
6	Transmission and remote controller wiring connection	
5	Control box (inside)	
4	Ground terminal (Control box)	MM
3	Drain pipe connection	0.3 φ1-1/4" (φ32)
2	Gas pipe connection	0.5/8" (φ15.9) Flare connection
1	Liquid pipe connection	0.3/8" (φ9.5) Flare connection

Submittal Data Sheet

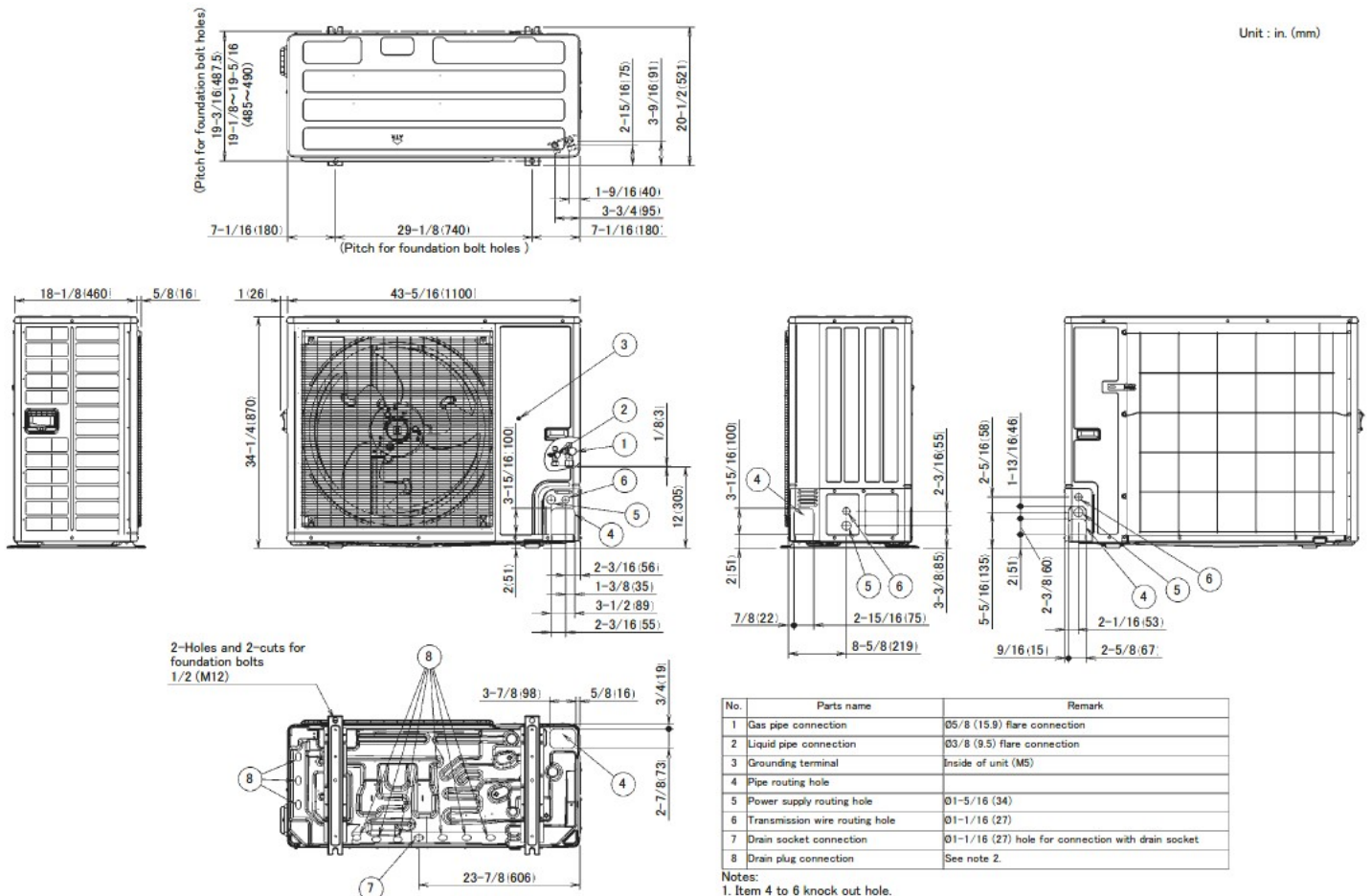
R-32 3.0 ton Ducted Concealed Heat Pump SkyAir System

FBA36AAVJU-RZA36AAVJU

OUTDOOR UNIT DETAILS

Power Supply (V/Hz/Ph):	208-230 / 60 / 1	Compressor Stage:	Inverter
Power Supply Connections:	H1, H2	Capacity Control Range (%):	-
Min. Circuit Amps MCA (A):	34.6	Airflow Rate (H) (CFM):	3000
Max Overcurrent Protection (MOP) (A):	35	Gas Pipe Connection (inch):	5/8
Max Starting Current MSC(A):		Liquid Pipe Connection (inch):	3/8
Rated Load Amps RLA(A):		Sound Pressure (H) (dBA):	56
Dimensions (HxWxD) (in):	34-1/4 x 43-5/16 x 18-1/8	Sound Power Level (dBA):	
Net Weight (lb):	234		

DIMENSIONAL DRAWING - OUTDOOR UNIT





Submittal Data Sheet

R-32 3.0 ton Ducted Concealed Heat Pump SkyAir System

FBA36AAVJU-RZA36AAVJU

INDOOR ACCESSORIES

PART NUMBER	DESCRIPTION	INCLUDED
-------------	-------------	----------

BRC1NRV71	R32 Navigation Remote Controller	No
-----------	----------------------------------	----

BRP9A73	Ventilation and alarm adapter	No
---------	-------------------------------	----

DACA-CP3-1	Si-30 Condensate Pump	No
------------	-----------------------	----

KRCS01-6B	Remote Sensor	No
-----------	---------------	----

KRP1C76	Wiring Adapter PCB	No
---------	--------------------	----

KRP4A71	Group Control Adaptor PCB	No
---------	---------------------------	----

KRP4A98	Mounting plate for accessory PCB	No
---------	----------------------------------	----

OUTDOOR ACCESSORIES

PART NUMBER	DESCRIPTION	INCLUDED
-------------	-------------	----------

BRP2A82	ABC Terminal for VRV IV S	No
---------	---------------------------	----

KEH042A41A	Drain Pan heater for single phase VRVs and SkyAir	No
------------	---	----

KPW082A41	Air direction adjustment grille	No
-----------	---------------------------------	----

KRC19-26A6	COOL/HEAT SELECTOR	No
------------	--------------------	----