

## **EHXD Electric Heater Kits for 5 Ton Small Chassis**

EHXD-1S06  
EHXD-1S11  
EHXD-1S17  
EHXD-1S23  
EHXD-3S06  
EHXD-3S11  
EHXD-3S17  
EHXD-3S23  
EHXD-4S06  
EHXD-4S11  
EHXD-4S17  
EHXD-4S23  
EHXD-7S06  
EHXD-7S11  
EHXD-7S17  
EHXD-7S23

This manual is to be used by qualified technicians only.

# Important Information

---

## Index

Functional Parts List .....	3
Illustration and Parts .....	4 - 21

*Views shown are for parts illustrations only, not servicing procedures.*

### Text Codes:

AR - As Required

NA - Not Available

NS - Not Shown

00000000 - See Note

QTY - Quantity Example (QTY 3) (If Quantity not shown, Quantity = 1)

M - Model Example (M1) (If M Code not shown, then part is used on all Models)

### Expanded Model Nomenclature:

Example
M1 - Model#1
M2 - Model#2
M3 - Model#3

Daikin Manufacturing Company, L.P. is not responsible for personal injury or property damage resulting from improper service. Review all service information before beginning repairs.

Warranty service must be performed by an authorized technician, using authorized factory parts. If service is required after the warranty expires, Daikin Manufacturing Company, L.P. also recommends contacting an authorized technician and using authorized factory parts.

Daikin Manufacturing Company, L.P. reserves the right to discontinue, or change at any time, specifications or designs without notice or without incurring obligations.

For assistance within the U.S.A. contact:

Homeowner Support  
Daikin North America, LLC  
19001 Kermier Road  
Waller, Texas 77484  
855-770-5678-Telephone  
713-863-2382-Facsimile

For assistance outside the U.S.A. contact:

International Division  
Daikin North America, LLC  
19001 Kermier Road  
Waller, Texas 77484  
713-861-2500-Telephone  
713-863-2382-Facsimile

# Functional Parts

## Part

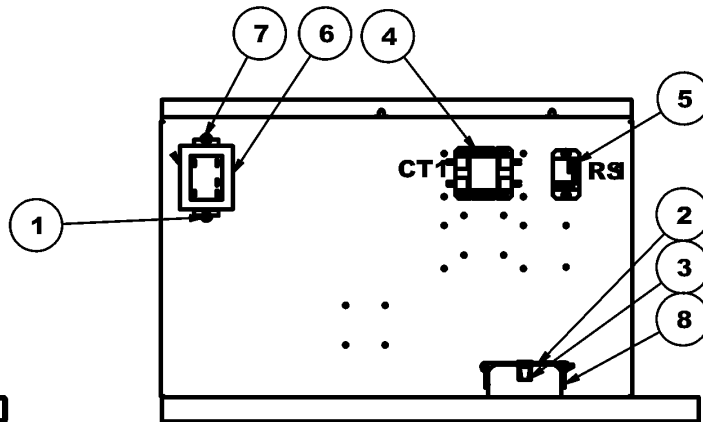
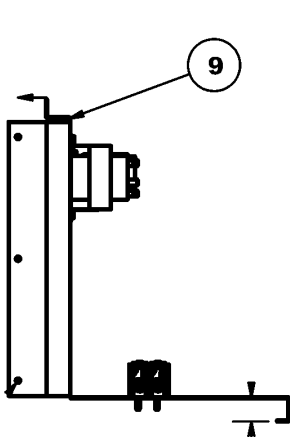
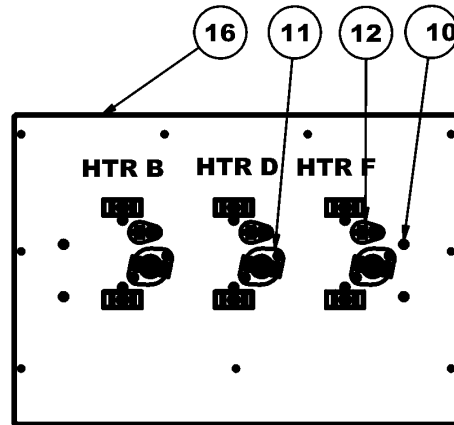
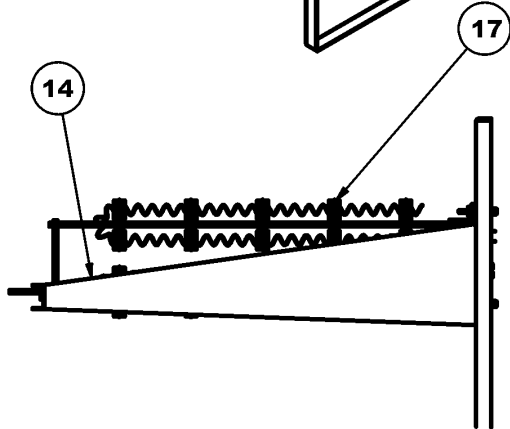
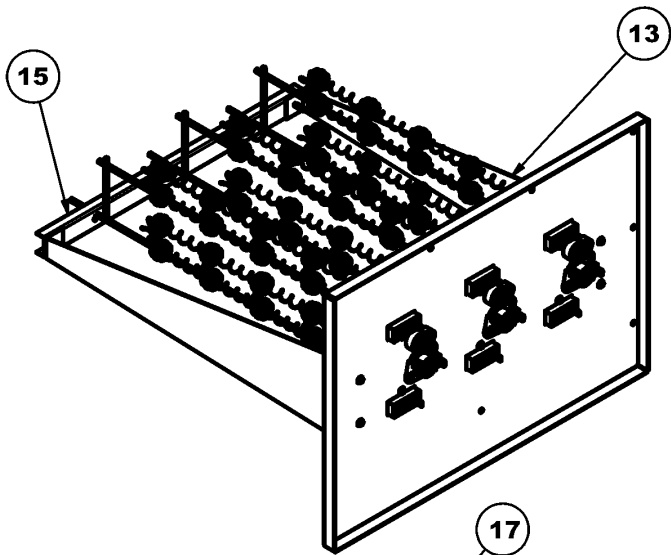
### No: Description:

---

5000-277-483	1.66kw Heating Element Assembly (M9)
5000-277-603	1.66Kw Heating Element Assembly (M13)
5000-277-503	1.66kw Heating Element Assembly (M1, M5)
0200-196-001P	104°C Fuse Link (M1, M2, M3, M4, M5, M6, M7, M8)
0200-197-001P	150°-45°F Thermostat (QTY 3)
0200-167-010P	2 Pole Contactor (M1, M2, M3, M4)
0200-229-001P	220°F One Shot (M9, M10, M11, M12, M13, M14, M15, M16)
0200-213-003P	24 Volt Relay
0200-303-240P	240V Transformer (M1, M2, M3, M4, M5, M6, M7, M8)
0200-167-009P	3 Pole Contactor (M5, M6, M7, M8, M9, M10, M11, M12, M13, M14, M15, M16)
5000-277-504	3.33kw Heating Element Assembly (M2, M6)
5000-277-604	3.33Kw Heating Element Assembly (M14)
5000-277-484	3.33kw Heating Element Assembly (M10)
0200-349-040P	40 Amp Cube Fuse (M3)
0200-303-480P	480V Transformer (M9, M10, M11, M12, M13, M14, M15, M16)
5000-277-502	5.0Kw Heating Element Assmebly (M7)
0200-349-050P	50 Amp Cube Fuse (M7)
5000-277-605	5Kw Heating Element Assembly (M15)
5000-275-506	5kw Heating Element Assembly (M3)
5000-277-485	5kw Heating Element Assembly (M11)
5000-275-501	6.65kw Heating Element Assembly (M8)
5000-275-489	6.66kw Heating Element Assembly (M12)
5000-275-508	6.66kw Heating Element Assembly (M4)
5000-275-610	6.66Kw Heating Element Assembly (M16)
0200-349-060P	60 Amp Cube Fuse (M2, M4)
0200-147-001P	KTK-10 Mini Fuse (M9, M13)
0200-147-002P	KTK-15 Mini Fuse (M5, M10, M12, M14, M16)
0200-147-003P	KTK-20 Mini Fuse (M15)
0200-147-004P	KTK-25 Mini Fuse (M8, M11)
0200-147-005P	KTK-30 Mini Fuse (M1, M6)

### Expanded Model Nomenclature

M1 - EHXD-1S06
M2 - EHXD-1S11
M3 - EHXD-1S17
M4 - EHXD-1S23
M5 - EHXD-3S06
M6 - EHXD-3S11
M7 - EHXD-3S17
M8 - EHXD-3S23
M9 - EHXD-4S06
M10 - EHXD-4S11
M11 - EHXD-4S17
M12 - EHXD-4S23
M13 - EHXD-7S06
M14 - EHXD-7S11
M15 - EHXD-7S17
M16 - EHXD-7S23



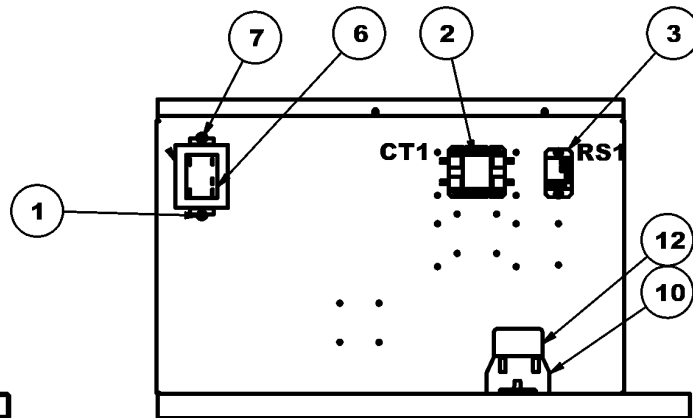
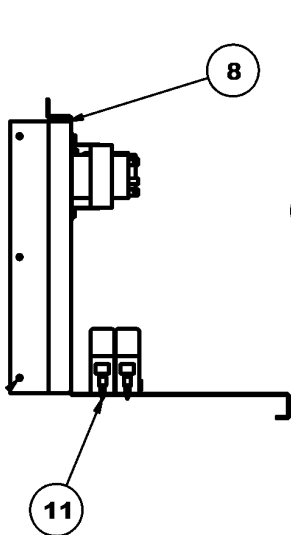
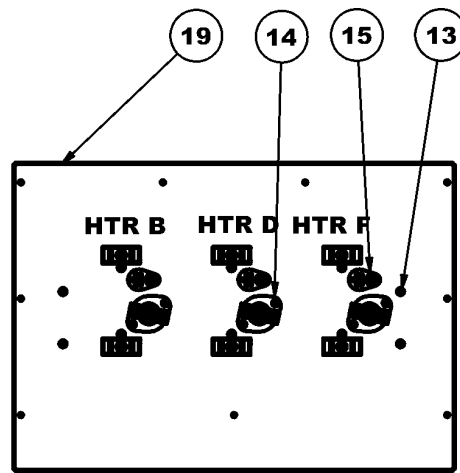
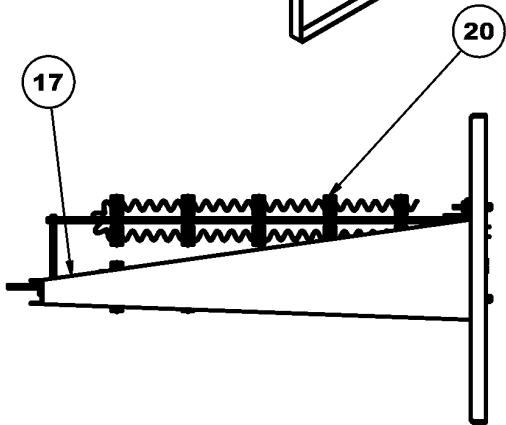
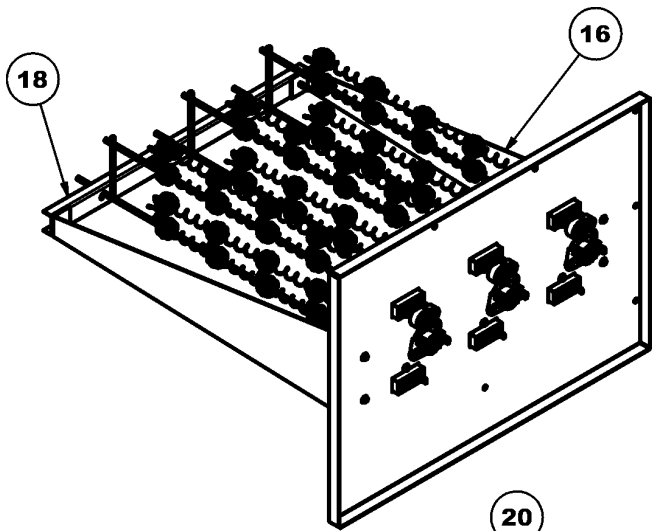
Ref. Part No:	Part No:	Description:	Ref. Part No:	Part No:	Description:
---------------	----------	--------------	---------------	----------	--------------

**Image 1:**

1	0200-011-005P	8-18 x .625" Screw (M1)
2	0200-146-003P	KTK Fuse Block (M1)
3	0200-147-005P	KTK-30 Mini Fuse (M1)
4	0200-167-010P	2 Pole Contactor (M1)
5	0200-213-003P	24 Volt Relay (M1)
6	0200-303-240P	240V Transformer (M1)
7	0200-304-001P	Ground Screw (M1)
8	0200-347-001P	Mudular Fuse Cover (M1)
9	1000-353-001	Sub Panel (M1)
10	0200-011-005P	8-18 x .625" Screw (M1)
11	0200-197-001P	150°-45°F Thermostat (M1)
12	0200-196-001P	104°C Fuse Link (M1)
13	1000-339-001	Left Panel (M1)
14	1000-339-002	Right Panel (M1)
15	1000-353-002	Rear Support Panel (M1)
16	1000-353-203	Terminal Plate (M1)
17	5000-277-503	1.66kw Heating Element Assembly (M1)
NS	0200-134-030	Plug Assembly (M1)

**Expanded Model Nomenclature**

M1 - EHXD-1S06
M2 - EHXD-1S11
M3 - EHXD-1S17
M4 - EHXD-1S23
M5 - EHXD-3S06
M6 - EHXD-3S11
M7 - EHXD-3S17
M8 - EHXD-3S23
M9 - EHXD-4S06
M10 - EHXD-4S11
M11 - EHXD-4S17
M12 - EHXD-4S23
M13 - EHXD-7S06
M14 - EHXD-7S11
M15 - EHXD-7S17
M16 - EHXD-7S23



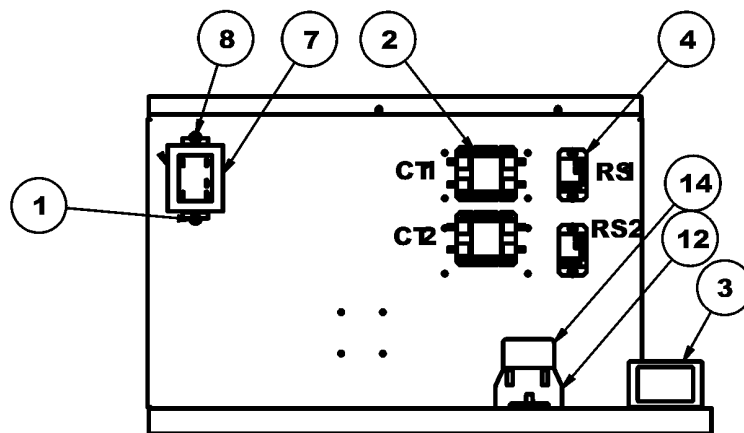
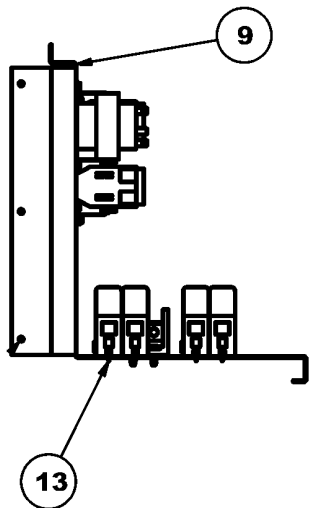
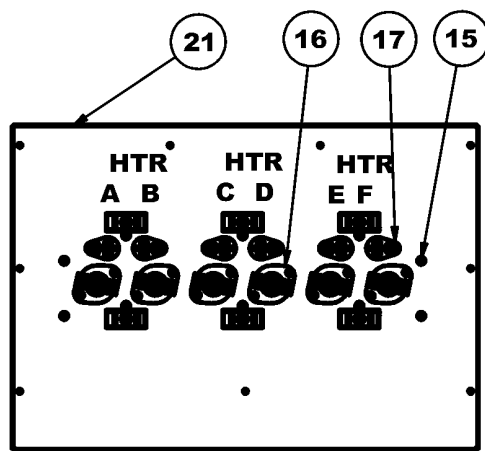
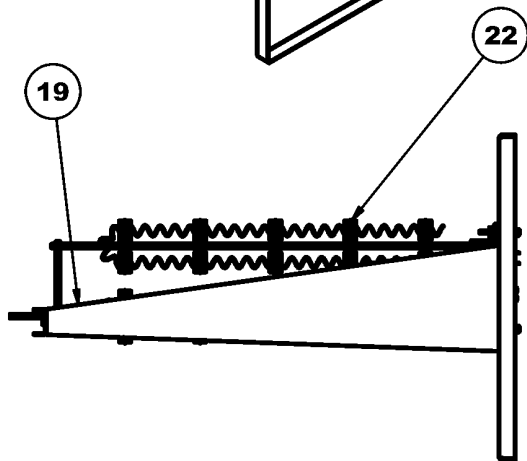
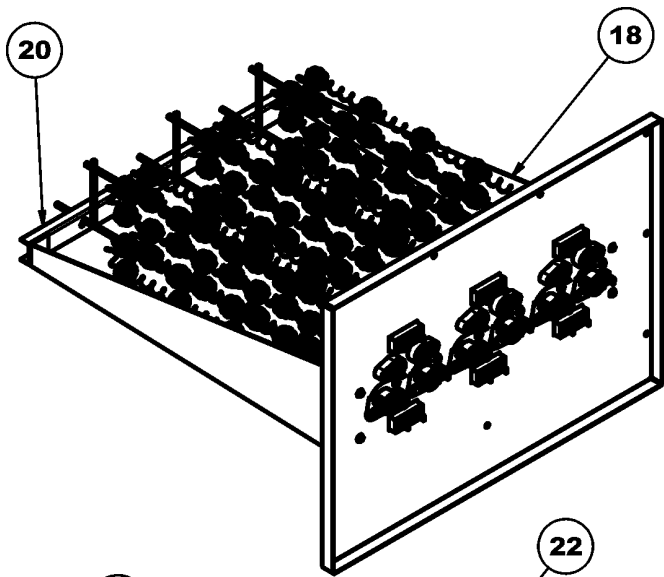
Ref. Part No:	Part No:	Description:	Ref. Part No:	Part No:	Description:
---------------	----------	--------------	---------------	----------	--------------

**Image 1:**

1	0200-011-005P	8-18 x .625" Screw (M2)
2	0200-167-010P	2 Pole Contactor (M2)
3	0200-213-003P	24 Volt Relay (M2)
6	0200-303-240P	240V Transformer (M2)
7	0200-304-001P	Ground Screw (M2)
8	1000-353-001	Sub Panel (M2)
10	0200-348-060P	Finger Safe Fuse Holder (M2)
11	0200-011-010P	Philips Head Screw 1.25" (M2)
12	0200-349-060P	60 Amp Cube Fuse (M2)
13	0200-011-005P	8-18 x .625" Screw (M2)
14	0200-197-001P	150°-45°F Thermostat (M2)
15	0200-196-001P	104°C Fuse Link (M2)
16	1000-339-001	Left Panel (M2)
17	1000-339-002	Right Panel (M2)
18	1000-353-002	Rear Support Panel (M2)
19	1000-353-203	Terminal Plate (M2)
20	5000-277-504	3.33Kw Heating Element Assmeby (M2)
NS	0200-134-030	Plug Assembly (M2)

**Expanded Model Nomenclature**

M1 - EHXD-1S06
M2 - EHXD-1S11
M3 - EHXD-1S17
M4 - EHXD-1S23
M5 - EHXD-3S06
M6 - EHXD-3S11
M7 - EHXD-3S17
M8 - EHXD-3S23
M9 - EHXD-4S06
M10 - EHXD-4S11
M11 - EHXD-4S17
M12 - EHXD-4S23
M13 - EHXD-7S06
M14 - EHXD-7S11
M15 - EHXD-7S17
M16 - EHXD-7S23





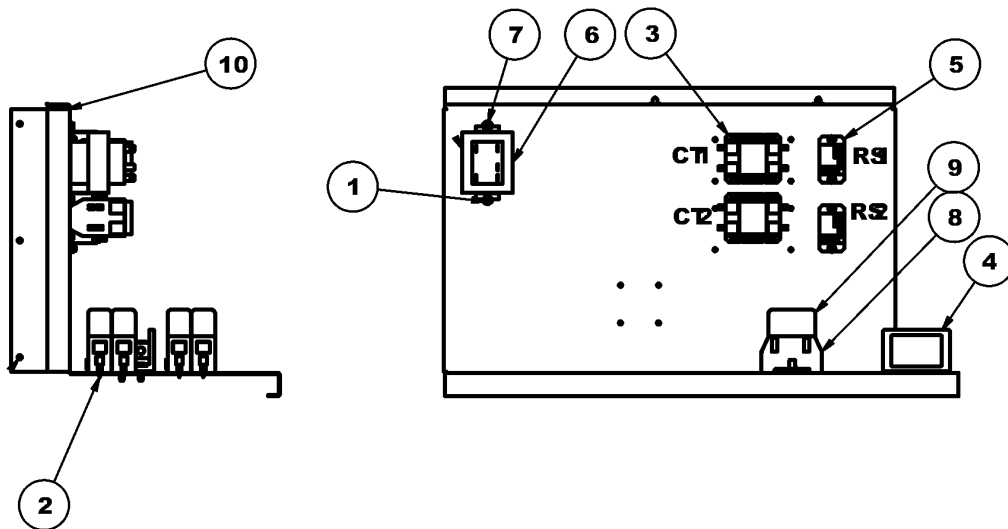
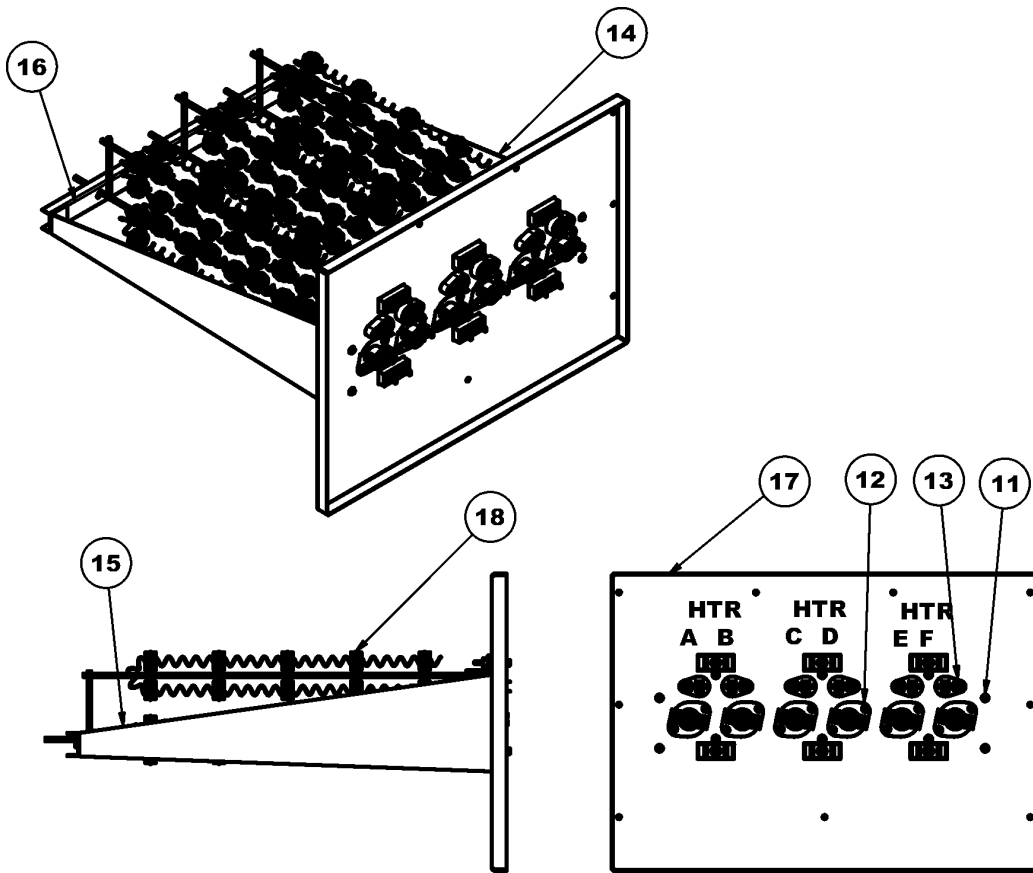
Ref. Part No:	Part No:	Description:	Ref. Part No:	Part No:	Description:
---------------	----------	--------------	---------------	----------	--------------

**Image 1:**

1	0200-011-005P	8-18 x .625" Screw (M3)
2	0200-167-010P	2 Pole Contactor (M3)
3	0200-169-002P	2 Pole Single Point Block (M3)
4	0200-213-003P	24 Volt Relay (M3)
7	0200-303-240P	240V Transformer (M3)
8	0200-304-001P	Ground Screw (M3)
9	1000-353-001	Sub Panel (M3)
12	0200-348-060P	Finger Safe Fuse Holder (M3)
13	0200-011-010P	Philips Head Screw 1.25" (M3)
14	0200-349-040P	40 Amp Cube Fuse (M3)
15	0200-011-005P	8-18 x .625" Screw (M3)
16	0200-197-001P	150°-45°F Thermostat (M3)
17	0200-196-001P	104°C Fuse Link (M3)
18	1000-339-001	Left Panel (M3)
19	1000-339-002	Right Panel (M3)
20	1000-353-002	Rear Support Panel (M3)
21	1000-353-206	Terminal Plate (M3)
22	5000-275-506	5kw Heating Element Assembly (M3)
NS	0200-134-029	Plug Assembly (M3)

**Expanded Model Nomenclature**

- |                 |
|-----------------|
| M1 - EHXD-1S06  |
| M2 - EHXD-1S11  |
| M3 - EHXD-1S17  |
| M4 - EHXD-1S23  |
| M5 - EHXD-3S06  |
| M6 - EHXD-3S11  |
| M7 - EHXD-3S17  |
| M8 - EHXD-3S23  |
| M9 - EHXD-4S06  |
| M10 - EHXD-4S11 |
| M11 - EHXD-4S17 |
| M12 - EHXD-4S23 |
| M13 - EHXD-7S06 |
| M14 - EHXD-7S11 |
| M15 - EHXD-7S17 |
| M16 - EHXD-7S23 |



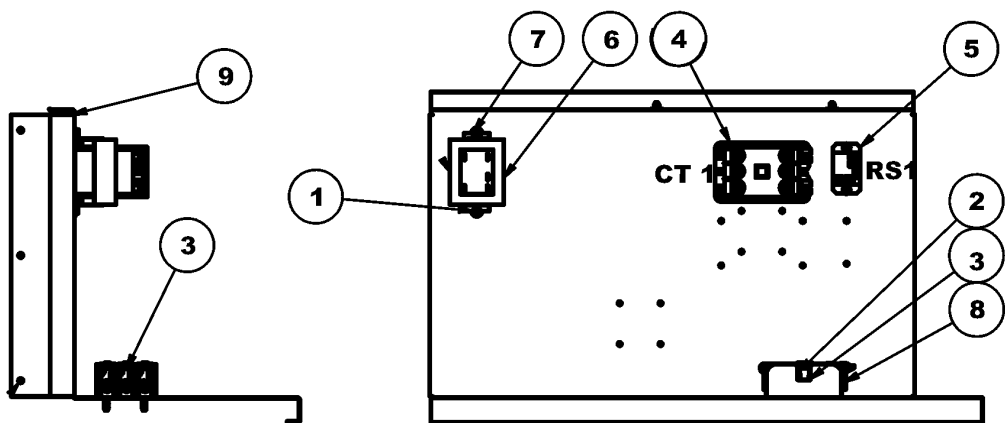
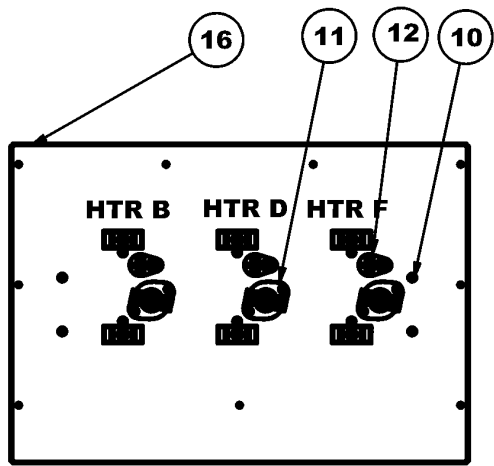
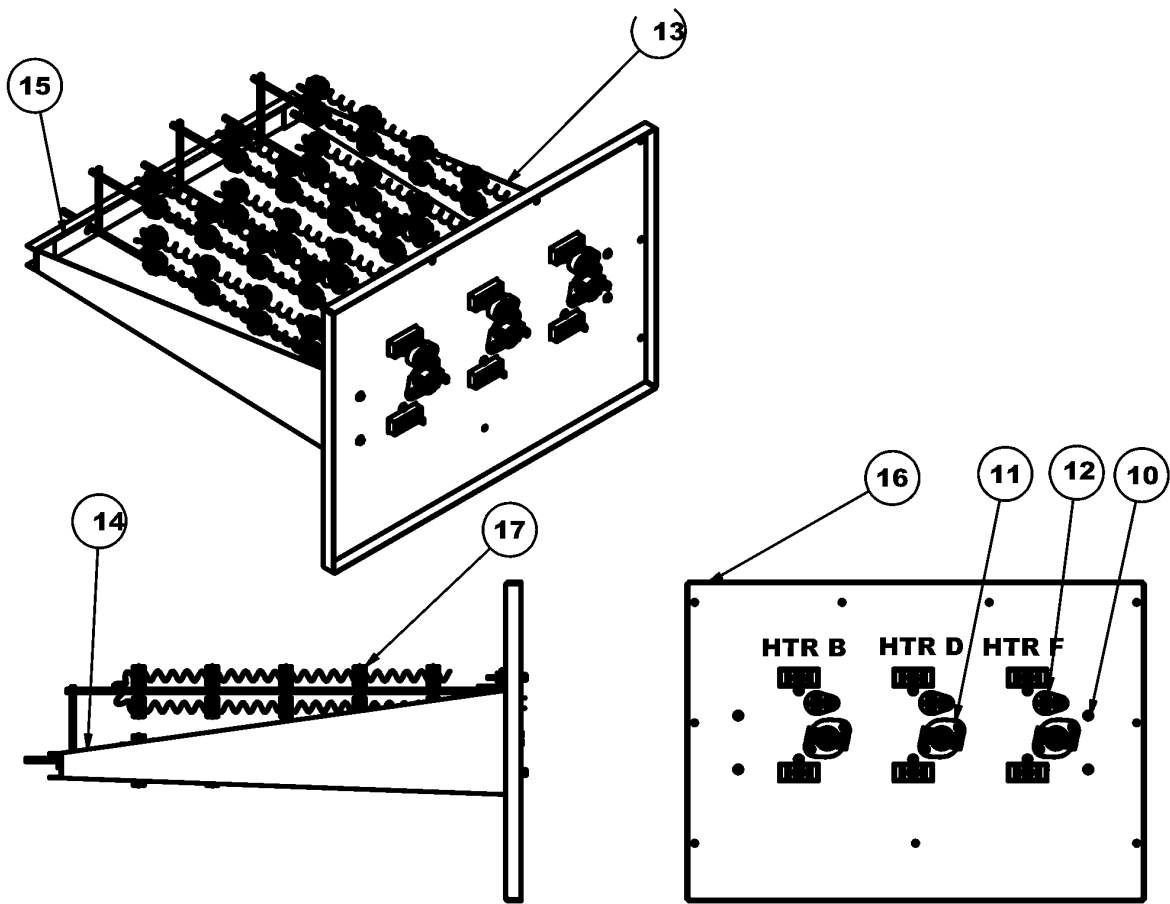
Ref. Part No:	Part No:	Description:	Ref. Part No:	Part No:	Description:
---------------	----------	--------------	---------------	----------	--------------

**Image 1:**

1	0200-011-005P	8-18 x .625" Screw (M4)
2	0200-011-010P	Philips Head Screw 1.25" (M4)
3	0200-167-010P	2 Pole Contactor (M4)
4	0200-169-002P	2 Pole Single Point Block (M4)
5	0200-213-003P	24 Volt Relay (M4)
6	0200-303-240P	240V Transformer (M4)
7	0200-304-001P	Ground Screw (M4)
8	0200-348-060P	Finger Safe Fuse Holder (M4)
9	0200-349-060P	60 Amp Cube Fuse (M4)
10	1000-353-001	Sub Panel (M4)
11	0200-011-005P	8-18 x .625" Screw (M4)
12	0200-197-001P	150°-45°F Thermostat (M4)
13	0200-196-001P	104°C Fuse Link (M4)
14	1000-339-001	Left Panel (M4)
15	1000-339-002	Right Panel (M4)
16	1000-353-002	Rear Support Panel (M4)
17	1000-353-206	Terminal Plate (M4)
18	5000-275-508	6.66kw Heating Element Assembly (M4)
NS	0200-134-029	Plug Assembly (M4)

**Expanded Model Nomenclature**

M1 - EHXD-1S06
M2 - EHXD-1S11
M3 - EHXD-1S17
M4 - EHXD-1S23
M5 - EHXD-3S06
M6 - EHXD-3S11
M7 - EHXD-3S17
M8 - EHXD-3S23
M9 - EHXD-4S06
M10 - EHXD-4S11
M11 - EHXD-4S17
M12 - EHXD-4S23
M13 - EHXD-7S06
M14 - EHXD-7S11
M15 - EHXD-7S17
M16 - EHXD-7S23



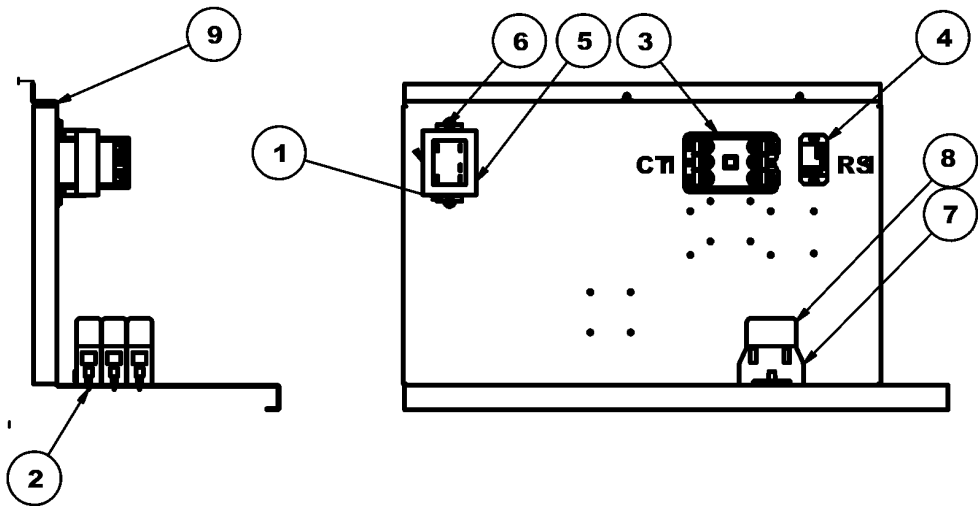
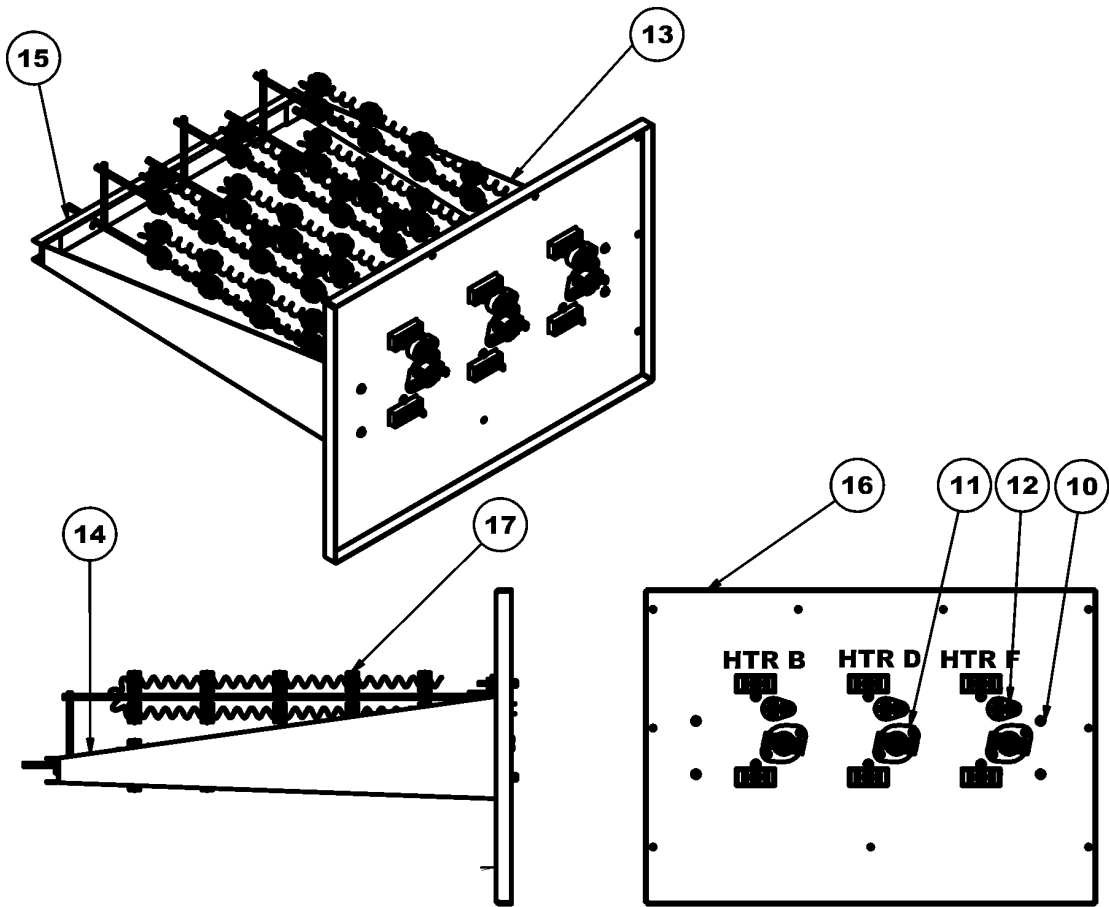
Ref. Part No:	Part No:	Description:	Ref. Part No:	Part No:	Description:
---------------	----------	--------------	---------------	----------	--------------

**Image 1:**

1	0200-011-005P	8-18 x .625" Screw (M5)
1	0200-011-005P	8-18 x .625" Screw (M6)
2	0200-146-001P	KTK Fuse Block (M5)
2	0200-146-001P	KTK Fuse Block (M6)
3	0200-147-002P	KTK-15 Mini Fuse (M5)
3	0200-147-005P	KTK-30 Mini Fuse (M6)
4	0200-167-009P	3 Pole Contactor (M6)
4	0200-167-009P	3 Pole Contactor (M5)
5	0200-213-003P	24 Volt Relay (M6)
5	0200-213-003P	24 Volt Relay (M5)
6	0200-303-240P	240V Transformer (M6)
6	0200-303-240P	240V Transformer (M5)
7	0200-304-001P	Ground Screw (M6)
7	0200-304-001P	Ground Screw (M5)
8	0200-347-001P	Mudular Fuse Cover (M5)
8	0200-347-001P	Mudular Fuse Cover (M6)
9	1000-353-001	Sub Panel (M6)
9	1000-353-001	Sub Panel (M5)
10	0200-011-005P	8-18 x .625" Screw (M6)
10	0200-011-005P	8-18 x .625" Screw (M5)
11	0200-197-001P	150°-45°F Thermostat (M6)
11	0200-197-001P	150°-45°F Thermostat (M5)
12	0200-196-001P	104°C Fuse Link (M6)
12	0200-196-001P	104°C Fuse Link (M5)
13	1000-339-001	Left Panel (M6)
13	1000-339-001	Left Panel (M5)
14	1000-339-002	Right Panel (M5)
14	1000-339-002	Right Panel (M6)
15	1000-353-002	Rear Support Panel (M5)
15	1000-353-002	Rear Support Panel (M6)
16	1000-353-203	Terminal Plate (M5)
16	1000-353-203	Terminal Plate (M6)
17	5000-277-503	1.66kw Heating Element Assembly (M5)
17	5000-277-504	3.33kw Heating Element Assembly (M6)
NS	0200-134-030	Plug Assembly (M5)
NS	0200-134-030	Plug Assembly (M6)

**Expanded Model Nomenclature**

- |                 |
|-----------------|
| M1 - EHXD-1S06  |
| M2 - EHXD-1S11  |
| M3 - EHXD-1S17  |
| M4 - EHXD-1S23  |
| M5 - EHXD-3S06  |
| M6 - EHXD-3S11  |
| M7 - EHXD-3S17  |
| M8 - EHXD-3S23  |
| M9 - EHXD-4S06  |
| M10 - EHXD-4S11 |
| M11 - EHXD-4S17 |
| M12 - EHXD-4S23 |
| M13 - EHXD-7S06 |
| M14 - EHXD-7S11 |
| M15 - EHXD-7S17 |
| M16 - EHXD-7S23 |



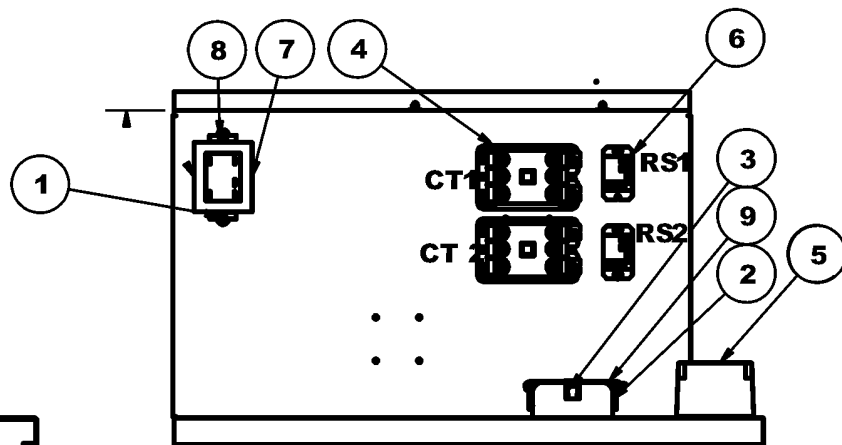
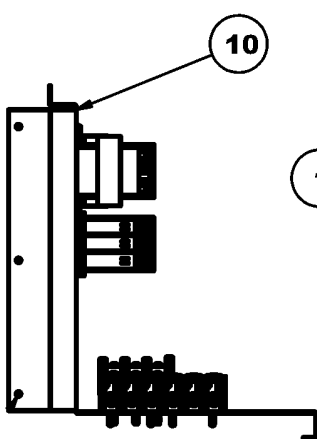
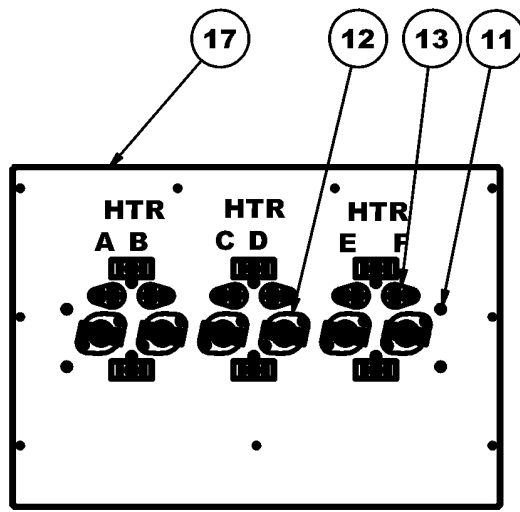
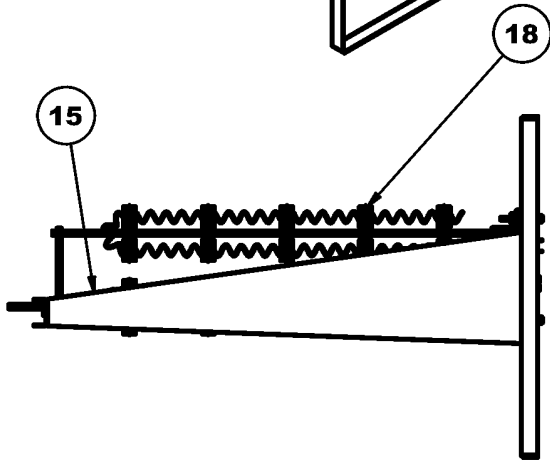
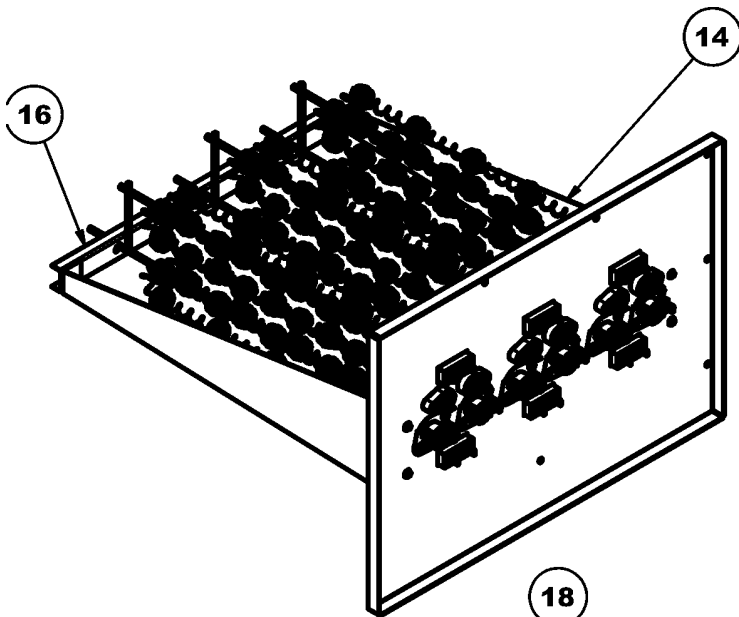
Ref. Part No:	Part No:	Description:	Ref. Part No:	Part No:	Description:
---------------	----------	--------------	---------------	----------	--------------

**Image 1:**

1	0200-011-005P	8-18 x .625" Screw (M7)
2	0200-011-010P	Philips Head Screw 1.25" (M7)
3	0200-167-009P	3 Pole Contactor (M7)
4	0200-213-003P	24 Volt Relay (M7)
5	0200-303-240P	240V Transformer (M7)
6	0200-304-001P	Ground Screw (M7)
7	0200-348-060P	Finger Safe Fuse Holder (M7)
8	0200-349-050P	50 Amp Cube Fuse (M7)
9	1000-353-001	Sub Panel (M7)
10	0200-011-005P	8-18 x .625" Screw (M7)
11	0200-197-001P	150°-45°F Thermostat (M7)
12	0200-196-001P	104°C Fuse Link (M7)
13	1000-339-001	Left Panel (M7)
14	1000-339-002	Right Panel (M7)
15	1000-353-002	Rear Support Panel (M7)
16	1000-353-203	Terminal Plate (M7)
17	5000-277-502	5.0Kw Heating Element Assmebly (M7)
NS	0200-134-030	Plug Assembly (M7)

**Expanded Model Nomenclature**

M1 - EHXD-1S06
M2 - EHXD-1S11
M3 - EHXD-1S17
M4 - EHXD-1S23
M5 - EHXD-3S06
M6 - EHXD-3S11
M7 - EHXD-3S17
M8 - EHXD-3S23
M9 - EHXD-4S06
M10 - EHXD-4S11
M11 - EHXD-4S17
M12 - EHXD-4S23
M13 - EHXD-7S06
M14 - EHXD-7S11
M15 - EHXD-7S17
M16 - EHXD-7S23





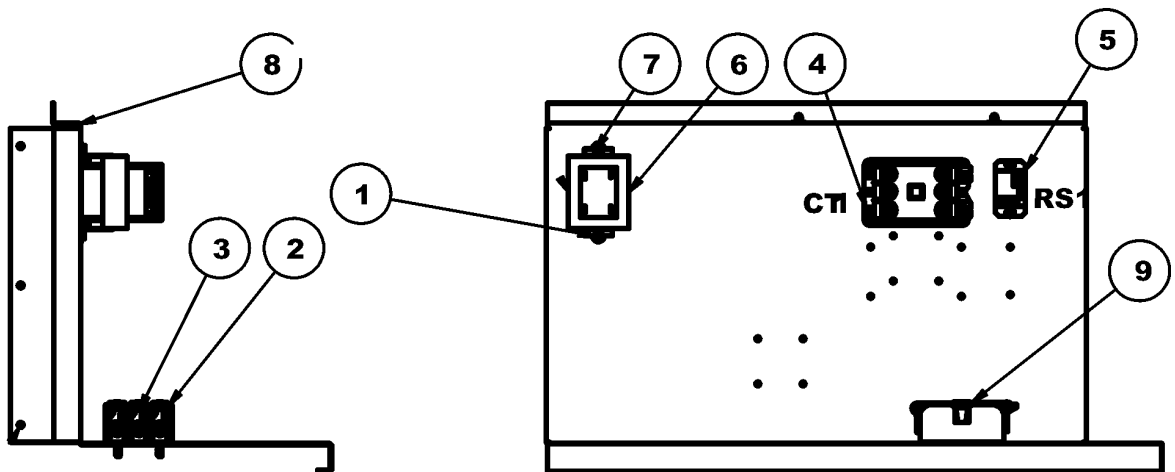
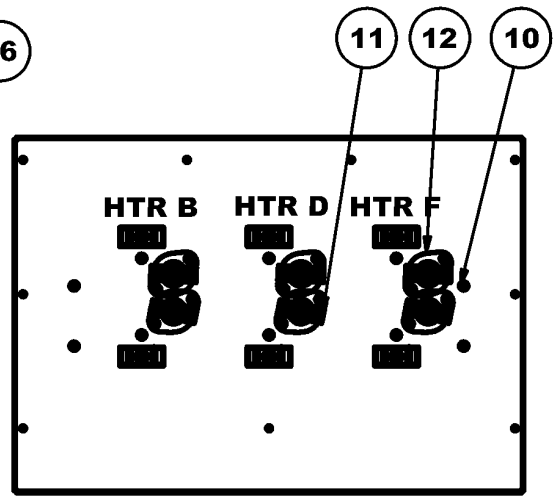
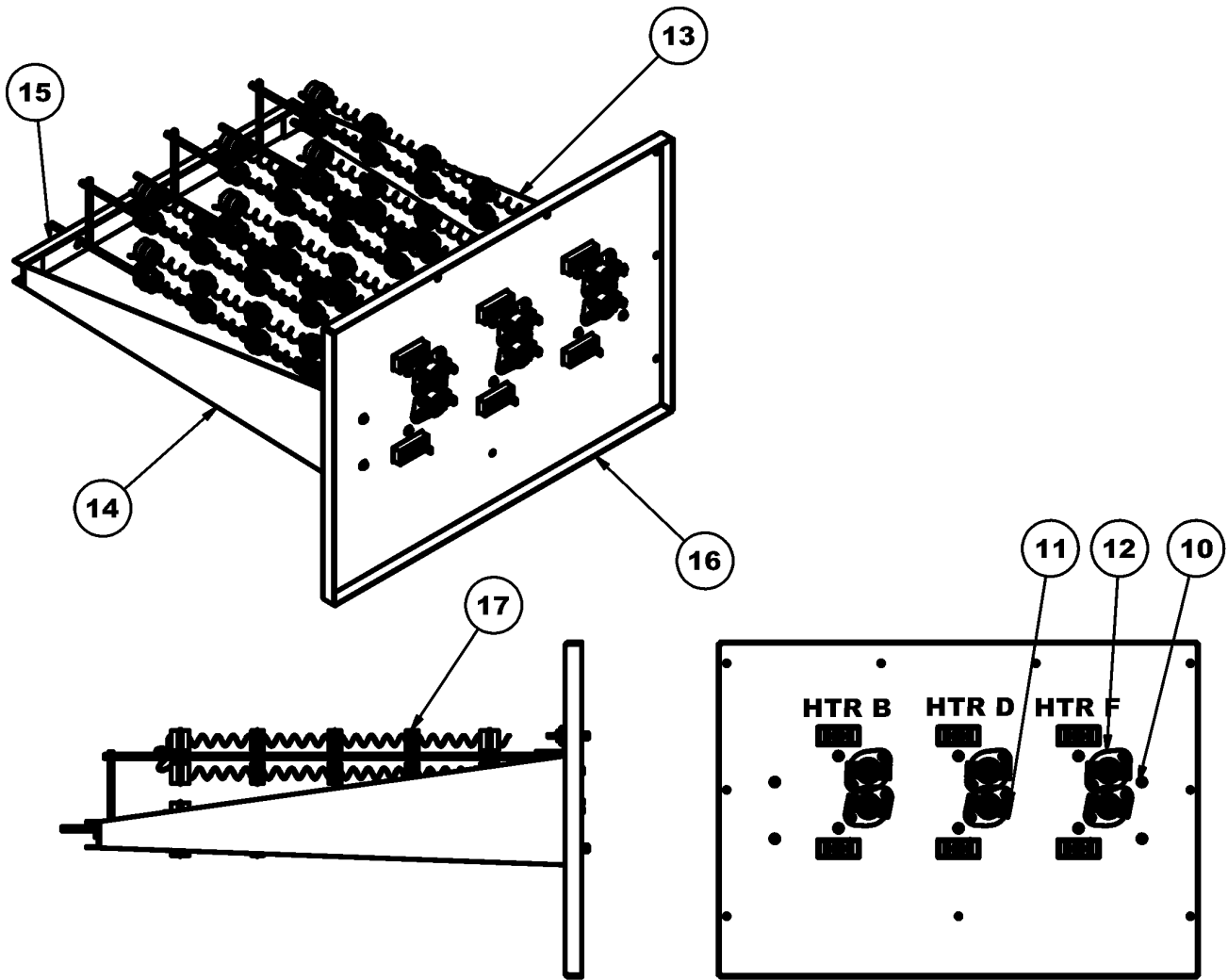
Ref. Part No:	Ref. Part No:	Description:	Description:
---------------	---------------	--------------	--------------

**Image 1:**

1	0200-011-005P	8-18 x .625" Screw (M8)
2	0200-146-001P	KTK Fuse Block (M8)
3	0200-147-004P	KTK-25 Mini Fuse (M8)
4	0200-167-009P	3 Pole Contactor (M8)
5	0200-169-001P	3 Pole Single Point Block (M8)
6	0200-213-003P	24 Volt Relay (M8)
7	0200-303-240P	240V Transformer (M8)
8	0200-304-001P	Ground Screw (M8)
9	0200-347-001P	Mudular Fuse Cover (M8)
10	1000-353-001	Sub Panel (M8)
11	0200-011-005P	8-18 x .625" Screw (M8)
12	0200-197-001P	150°-45°F Thermostat (M8)
13	0200-196-001P	104°C Fuse Link (M8)
14	1000-339-001	Left Panel (M8)
15	1000-339-002	Right Panel (M8)
16	1000-353-002	Rear Support Panel (M8)
17	1000-353-206	Terminal Plate (M8)
18	5000-275-501	6.65kw Heating Element Assembly (M8)
NS	0200-134-029	Plug Assembly (M8)

**Expanded Model Nomenclature**

- M1 - EHXD-1S06
- M2 - EHXD-1S11
- M3 - EHXD-1S17
- M4 - EHXD-1S23
- M5 - EHXD-3S06
- M6 - EHXD-3S11
- M7 - EHXD-3S17
- M8 - EHXD-3S23
- M9 - EHXD-4S06
- M10 - EHXD-4S11
- M11 - EHXD-4S17
- M12 - EHXD-4S23
- M13 - EHXD-7S06
- M14 - EHXD-7S11
- M15 - EHXD-7S17
- M16 - EHXD-7S23



Ref. Part No:	Part No:	Description:	Ref. Part No:	Part No:	Description:
<b>Image 1:</b>			<b>Image 1:</b>		
1	0200-011-005P	8-18 x .625" Screw (M14)	10	0200-011-005P	8-18 x .625" Screw (M11)
1	0200-011-005P	8-18 x .625" Screw (M15)	10	0200-011-005P	8-18 x .625" Screw (M13)
1	0200-011-005P	8-18 x .625" Screw (M9)	10	0200-011-005P	8-18 x .625" Screw (M15)
1	0200-011-005P	8-18 x .625" Screw (M13)	11	0200-197-001P	150°-45°F Thermostat (M10)
1	0200-011-005P	8-18 x .625" Screw (M11)	11	0200-197-001P	150°-45°F Thermostat (M13)
1	0200-011-005P	8-18 x .625" Screw (M10)	11	0200-197-001P	150°-45°F Thermostat (M15)
2	0200-146-001P	KTK Fuse Block (M15)	11	0200-197-001P	150°-45°F Thermostat (M14)
2	0200-146-001P	KTK Fuse Block (M14)	11	0200-197-001P	150°-45°F Thermostat (M11)
2	0200-146-001P	KTK Fuse Block (M13)	11	0200-197-001P	150°-45°F Thermostat (M9)
2	0200-146-001P	KTK Fuse Block (M11)	12	0200-229-001P	220°F One Shot (M10)
2	0200-146-001P	KTK Fuse Block (M10)	12	0200-229-001P	220°F One Shot (M9)
2	0200-146-001P	KTK Fuse Block (M9)	12	0200-229-001P	220°F One Shot (M13)
3	0200-147-001P	KTK-10 Mini Fuse (M9)	12	0200-229-001P	220°F One Shot (M15)
3	0200-147-001P	KTK-10 Mini Fuse (M13)	12	0200-229-001P	220°F One Shot (M14)
3	0200-147-002P	KTK-15 Mini Fuse (M14)	12	0200-229-001P	220°F One Shot (M11)
3	0200-147-002P	KTK-15 Mini Fuse (M10)	13	1000-339-001	Left Panel (M14)
3	0200-147-003P	KTK-20 Mini Fuse (M15)	13	1000-339-001	Left Panel (M9)
3	0200-147-004P	KTK-25 Mini Fuse (M11)	13	1000-339-001	Left Panel (M13)
4	0200-167-009P	3 Pole Contactor (M15)	13	1000-339-001	Left Panel (M11)
4	0200-167-009P	3 Pole Contactor (M11)	13	1000-339-001	Left Panel (M10)
4	0200-167-009P	3 Pole Contactor (M13)	13	1000-339-001	Left Panel (M15)
4	0200-167-009P	3 Pole Contactor (M10)	14	1000-339-002	Right Panel (M10)
4	0200-167-009P	3 Pole Contactor (M9)	14	1000-339-002	Right Panel (M9)
4	0200-167-009P	3 Pole Contactor (M14)	14	1000-339-002	Right Panel (M15)
5	0200-213-003P	24 Volt Relay (M11)	14	1000-339-002	Right Panel (M11)
5	0200-213-003P	24 Volt Relay (M13)	14	1000-339-002	Right Panel (M13)
5	0200-213-003P	24 Volt Relay (M9)	14	1000-339-002	Right Panel (M14)
5	0200-213-003P	24 Volt Relay (M10)	15	1000-353-002	Rear Support Panel (M15)
5	0200-213-003P	24 Volt Relay (M15)	15	1000-353-002	Rear Support Panel (M14)
5	0200-213-003P	24 Volt Relay (M14)	15	1000-353-002	Rear Support Panel (M11)
6	0200-303-480P	480V Transformer (M10)	15	1000-353-002	Rear Support Panel (M13)
6	0200-303-480P	480V Transformer (M9)	15	1000-353-002	Rear Support Panel (M10)
6	0200-303-480P	480V Transformer (M11)	15	1000-353-002	Rear Support Panel (M9)
6	0200-303-600P	600 Volt Transformer (M15)	16	1000-353-603	Terminal Plate (M9)
6	0200-303-600P	600 Volt Transformer (M14)	16	1000-353-603	Terminal Plate (M15)
6	0200-303-600P	600 Volt Transformer (M13)	16	1000-353-603	Terminal Plate (M14)
7	0200-304-001P	Ground Screw (M15)	16	1000-353-603	Terminal Plate (M11)
7	0200-304-001P	Ground Screw (M9)	16	1000-353-603	Terminal Plate (M13)
7	0200-304-001P	Ground Screw (M11)	16	1000-353-603	Terminal Plate (M10)
7	0200-304-001P	Ground Screw (M14)	17	5000-277-483	1.66kw Heating Element Assembly (M9)
7	0200-304-001P	Ground Screw (M13)	17	5000-277-603	1.66Kw Heating Element Assembly (M13)
7	0200-304-001P	Ground Screw (M10)	17	5000-277-484	3.33kw Heating Element Assembly (M10)
8	1000-353-001	Sub Panel (M9)	17	5000-277-604	3.33Kw Heating Element Assembly (M14)
8	1000-353-001	Sub Panel (M11)	17	5000-277-485	5kw Heating Element Assembly (M11)
8	1000-353-001	Sub Panel (M10)	17	5000-277-605	5Kw Heating Element Assembly (M15)
8	1000-353-001	Sub Panel (M14)	NS	0200-134-030	Plug Assembly (M15)
8	1000-353-001	Sub Panel (M13)	NS	0200-134-030	Plug Assembly (M10)
8	1000-353-001	Sub Panel (M15)	NS	0200-134-030	Plug Assembly (M13)
9	0200-347-001P	Mudular Fuse Cover (M10)	NS	0200-134-030	Plug Assembly (M14)
9	0200-347-001P	Mudular Fuse Cover (M13)	NS	0200-134-030	Plug Assembly (M9)
9	0200-347-001P	Mudular Fuse Cover (M14)	NS	0200-134-030	Plug Assembly (M11)
9	0200-347-001P	Mudular Fuse Cover (M9)			
9	0200-347-001P	Mudular Fuse Cover (M15)			
9	0200-347-001P	Mudular Fuse Cover (M11)			
10	0200-011-005P	8-18 x .625" Screw (M14)			
10	0200-011-005P	8-18 x .625" Screw (M10)			
10	0200-011-005P	8-18 x .625" Screw (M9)			

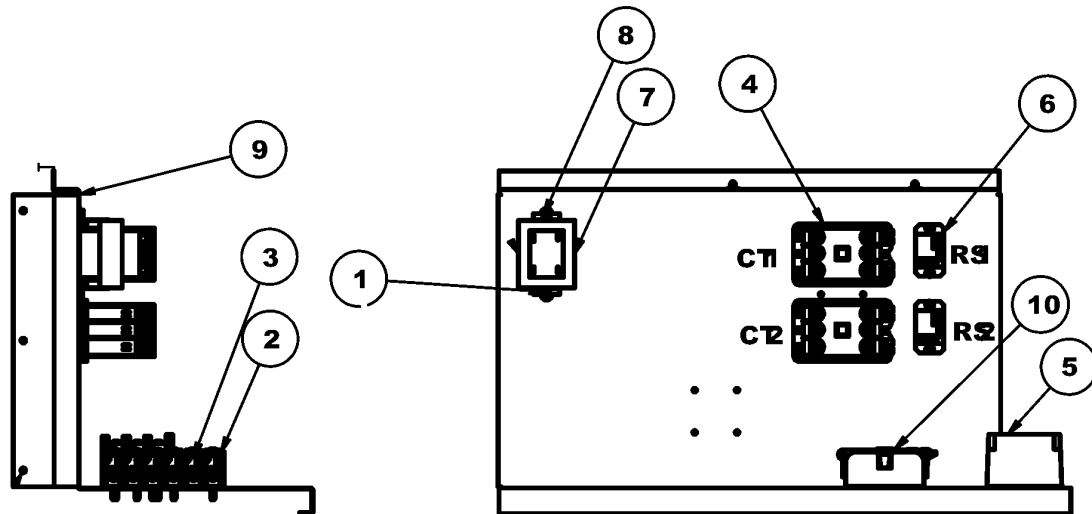
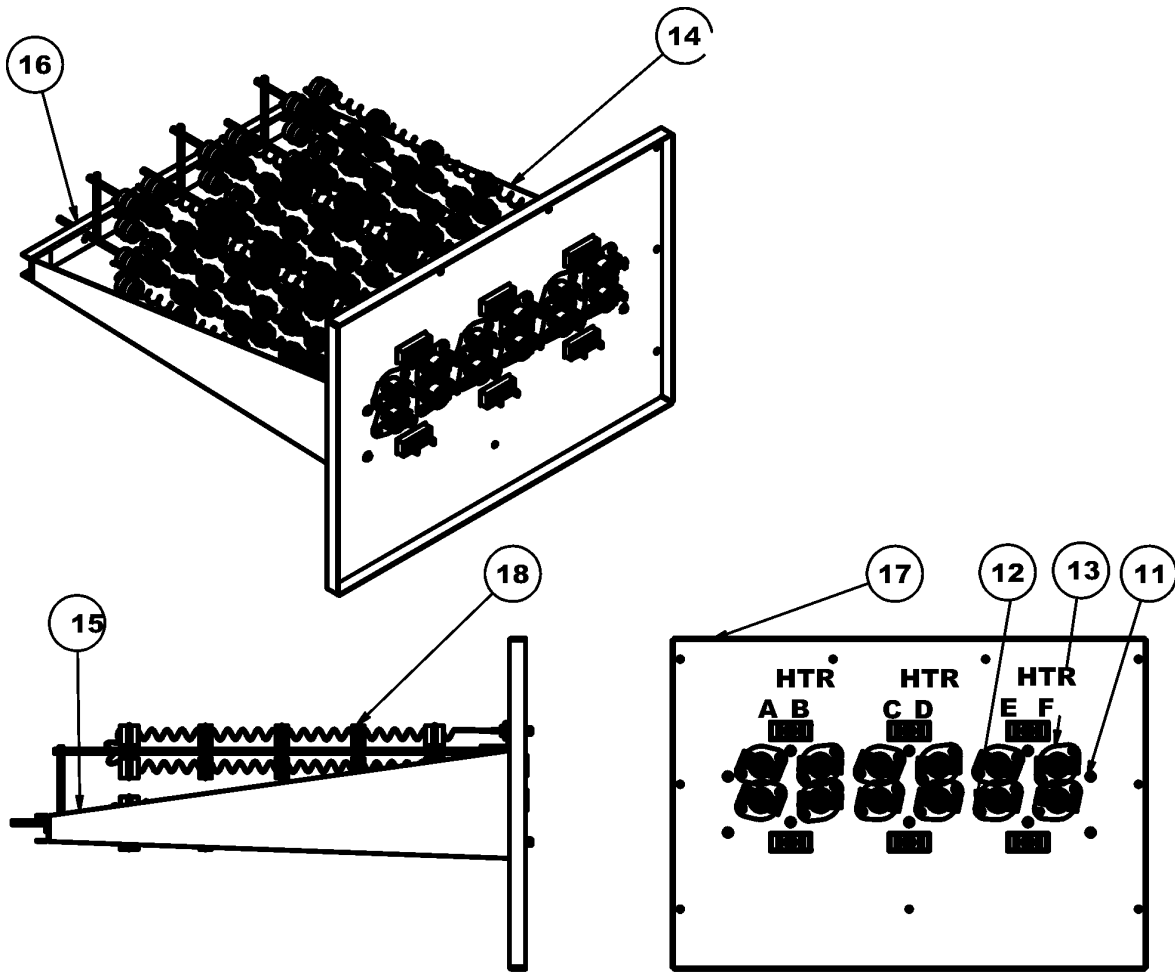
**Ref. Part**  
**No: No: Description:**

**Ref. Part**  
**No: No: Description:**

---

**Expanded Model Nomenclature**

M1 - EHXD-1S06
M2 - EHXD-1S11
M3 - EHXD-1S17
M4 - EHXD-1S23
M5 - EHXD-3S06
M6 - EHXD-3S11
M7 - EHXD-3S17
M8 - EHXD-3S23
M9 - EHXD-4S06
M10 - EHXD-4S11
M11 - EHXD-4S17
M12 - EHXD-4S23
M13 - EHXD-7S06
M14 - EHXD-7S11
M15 - EHXD-7S17
M16 - EHXD-7S23



Ref. Part No:	Ref. Part No:	Description:	Description:
<b>Image 1:</b>			
1	0200-011-005P	8-18 x .625" Screw (M12)	
1	0200-011-005P	8-18 x .625" Screw (M16)	
2	0200-146-001P	KTK Fuse Block (M12)	
2	0200-146-001P	KTK Fuse Block (M16)	
3	0200-147-002P	KTK-15 Mini Fuse (M12)	
3	0200-147-002P	KTK-15 Mini Fuse (M16)	
4	0200-167-009P	3 Pole Contactor (M12)	
4	0200-167-009P	3 Pole Contactor (M16)	
5	0200-169-001P	3 Pole Single Point Block (M16)	
5	0200-169-001P	3 Pole Single Point Block (M12)	
6	0200-213-003P	24 Volt Relay (M16)	
6	0200-213-003P	24 Volt Relay (M12)	
7	0200-303-480P	480V Transformer (M12)	
7	0200-303-600P	600 Volt Transformer (M16)	
8	0200-304-001P	Ground Screw (M16)	
8	0200-304-001P	Ground Screw (M12)	
9	1000-353-001	Sub Panel (M16)	
9	1000-353-001	Sub Panel (M12)	
10	0200-347-001P	Mudular Fuse Cover (M12)	
10	0200-347-001P	Mudular Fuse Cover (M16)	
11	0200-011-005P	8-18 x .625" Screw (M16)	
11	0200-011-005P	8-18 x .625" Screw (M12)	
12	0200-197-001P	150°-45°F Thermostat (M16)	
12	0200-197-001P	150°-45°F Thermostat (M12)	
13	0200-229-001P	220°F One Shot (M16)	
13	0200-229-001P	220°F One Shot (M12)	
14	1000-339-001	Left Panel (M12)	
14	1000-339-001	Left Panel (M16)	
15	1000-339-002	Right Panel (M12)	
15	1000-339-002	Right Panel (M16)	
16	1000-353-002	Rear Support Panel (M12)	
16	1000-353-002	Rear Support Panel (M16)	
17	1000-353-606	Terminal Plate (M12)	
17	1000-353-606	Terminal Plate (M16)	
18	5000-275-489	6.66kw Heating Element Assembly (M12)	
18	5000-275-610	6.66Kw Heating Element Assembly (M16)	
NS	0200-134-029	Plug Assembly (M12)	
NS	0200-134-030	Plug Assembly (M16)	

Ref. Part No:	Ref. Part No:	Description:	Description:
<b>Expanded Model Nomenclature</b>			
	M1	- EHXD-1S06	
	M2	- EHXD-1S11	
	M3	- EHXD-1S17	
	M4	- EHXD-1S23	
	M5	- EHXD-3S06	
	M6	- EHXD-3S11	
	M7	- EHXD-3S17	
	M8	- EHXD-3S23	
	M9	- EHXD-4S06	
	M10	- EHXD-4S11	
	M11	- EHXD-4S17	
	M12	- EHXD-4S23	
	M13	- EHXD-7S06	
	M14	- EHXD-7S11	
	M15	- EHXD-7S17	
	M16	- EHXD-7S23	