



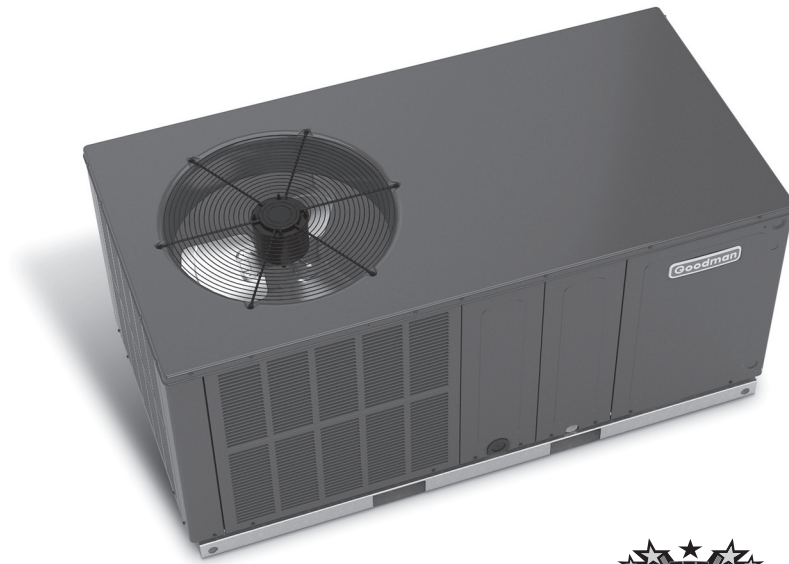
Air Conditioning & Heating

GPHH5

PACKAGED HEAT PUMPS

15.2 SEER2

2 TO 5 TONS



Contents

Nomenclature.....	2
Product Specifications.....	3
Expanded Cooling Data	4
Expanded Heating Data.....	22
Airflow Data	25
Heat Kit Electrical Data.....	26
Dimensions	27
Wiring Diagrams	28
Accessories	30

Standard Features

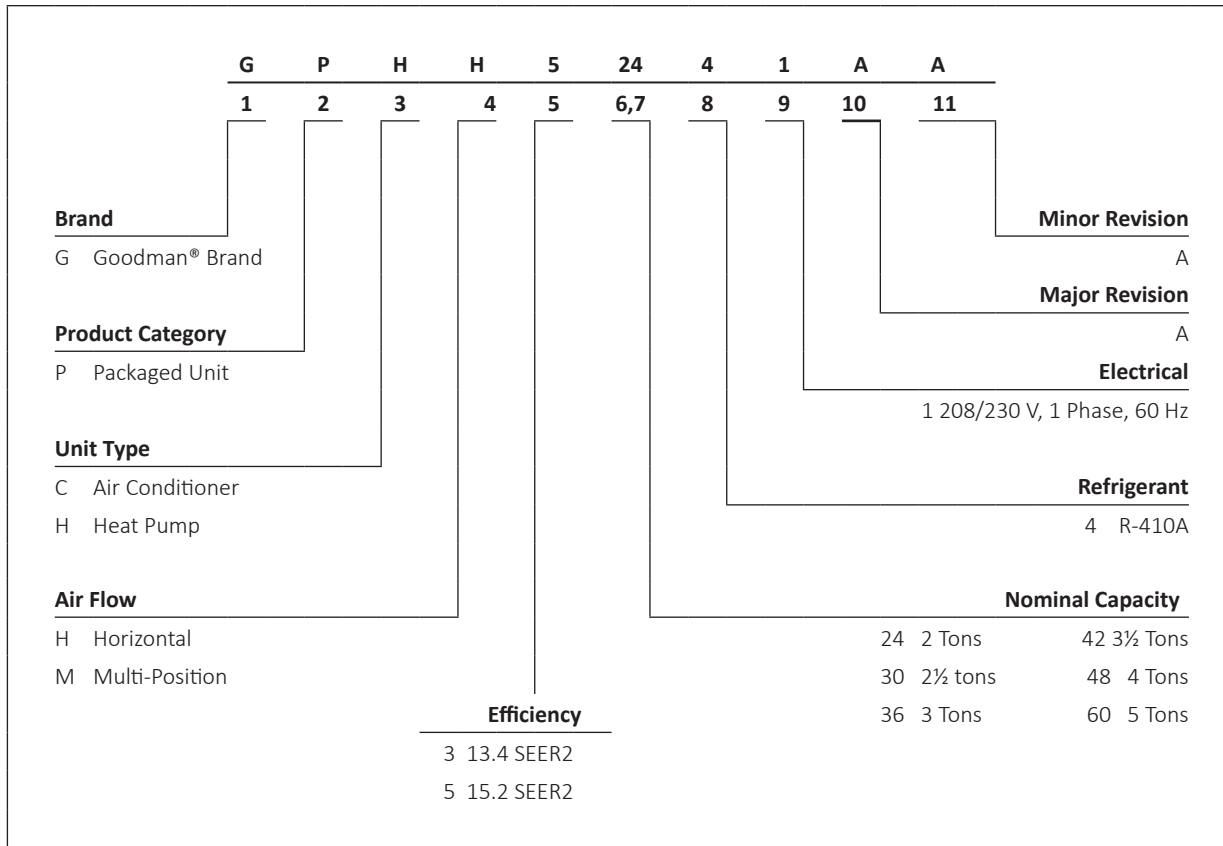
- High-efficiency scroll compressor
- Multi-speed ECM indoor blower motor
- Copper tube/aluminum fin condenser coil
- All-aluminum evaporator coil
- Totally enclosed, permanently lubricated condenser fan motor
- Fully charged system
- Quiet horizontal discharge
- Electric heat kit available as a field-installed option
- AHRI Certified; ETL Listed

Cabinet Features

- Heavy-gauge galvanized-steel cabinet with attractive Architectural Gray powder-paint finish
- Louvered condenser coil protection
- Aluminum foil-facing internal insulation reinforced with fiberglass scrim
- Fully insulated blower compartment with convenient access panels
- Meets cabinet air leakage requirements when tested in accordance with ASHRAE standard 193
- One footprint for all tonnages
- When properly anchored, meets the 2020 Florida Building Code unit integrity requirements for hurricane-type winds (Anchor bracket kits available.)



* Complete warranty details available from your local dealer or at www.amana-hac.com. To receive the 10-Year Parts Limited Warranty, online registration must be completed within 60 days of installation. Online registration is not required in California or Quebec. The duration of warranty coverages in Texas differs in some cases.



	GPHH5 2441**	GPHH5 3041**	GPHH5 3641**	GPHH5 4241**	GPHH5 4841**	GPHH5 6041**
COOLING CAPACITY						
Total BTU/h	24,000	27,600	34,800	42,000	46,000	57,250
Sensible BTU/h	18,288	22,411	27,179	31,458	35,788	41,564
SEER2 / EER2	15.0 / 11.4	15.2 / 11.4	15.2 / 11.4	15.2 / 11.4	15.2 / 11.2	15.2 / 11.4
AHRI Numbers	208842422	208842423	208842424	208842425	208842426	208842427
HEATING CAPACITY						
BTU/h (47°F)	22,800	27,600	32,200	40,000	44,000	54,500
C.O.P. (47°F)	3.73	3.26	3.74	3.54	3.55	3.60
BTU/h (17°F)	13,000	14,800	18,300	21,600	26,000	33,200
C.O.P. (17°F)	2.48	2.32	2.34	2.29	2.30	2.40
HSPF2	6.70	6.70	6.70	6.70	6.70	7.00
EVAPORATOR MOTOR						
Type	ECM	ECM	ECM	ECM	ECM	ECM
Wheel (D x W)	10" x 8"	10" x 8"	10" x 8"	10" x 8"	10" x 8"	11" x 8"
Cooling CFM ³	875	1,050	1,200	1,300	1,600	1,700
Fan-Only CFM	800	950	1,100	1,200	1,400	1,600
No. of Speeds	5	5	5	5	5	Variable
Horsepower - RPM	½ - 1,050	½ - 1,050	½ - 1,050	¾ - 1,050	¾ - 1,050	¾ - 1,050
EVAPORATOR COIL						
Face Area (ft ²)	5.26	5.26	6.23	6.23	6.23	7.01
Rows Deep	4	4	4	4	4	4
Fins per Inch	14	14	14	14	14	14
Metering Device Type	TXV	TXV	TXV	TXV	TXV	TXV
Drain Size (NPT)	¾" - 14 NPT	¾" - 14 NPT	¾" - 14 NPT	¾" - 14 NPT	¾" - 14 NPT	¾" - 14 NPT
Refrigerant Charge (oz.)	116	116	170	170	170	175
CONDENSER FAN						
Horsepower - RPM	1/6 - 810	1/6 - 810	1/6 - 810	1/4 - 1075	1/4 - 1075	1/4 - 1075
Fan Diameter	22	22	22	22	22	22
# of Fan Blades	3	3	4	4	4	4
CONDENSER COIL						
Face Area (ft ²)	14.4	13.92	13.92	16.5	16.5	18.85
Rows Deep	2	2	2	2	2	2
Fins per Inch	16	16	16	16	16	20
Metering Device Type	Piston	Piston	Piston	TXV	TXV	TXV
COMPRESSOR						
Quantity	1	1	1	1	1	1
Type	Scroll	Scroll	Scroll	Scroll	Scroll	Scroll
Stage	Single	Single	Single	Two	Two	Two
SOUND POWER						
dBA	76	76	78	79	80	80
ELECTRICAL DATA						
Compressor RLA/LRA	12.8 / 58.3	14.1 / 67.9	15.7 / 72.2	19.9/150.7	21.2 / 104.0	25.6 / 151.0
Voltage/Phase (60 Hz)	208-230 / 1	208-230 / 1	208-230 / 1	208-230 / 1	208-230 / 1	208-230 / 1
Indoor Blower FLA	4.3	4.3	4.3	4.3	5.4	6.8
Outdoor Fan FLA	0.95	0.95	1.3	1.4	1.4	1.4
M.C.A. ¹	21.3	22.9	23.2	30.6	34.7	40.2
M.O.P. ²	30	35	35	50	50	60
OPERATING WEIGHTS (LBS)						
	315	315	375	375	405	405
SHIPPING WEIGHTS (LBS)						
	324	324	385	385	415	415

¹ Wire size should be determined in accordance with National Electrical Codes. Extensive wire runs will require larger wire sizes.

² Must use time-delay fuses or HACR-type circuit breakers of the same size as noted.

³ Factory

Always check the S&R plate for electrical data on the unit being installed.

IDB	AIRFLOW	OUTDOOR AMBIENT TEMPERATURE												ENTERING INDOOR WET BULB TEMPERATURE											
		65				75				85				95				105				115			
		59	63	67	71	59	63	67	71	59	63	67	71	59	63	67	71	59	63	67	71	59	63	67	71
70	MBh	24.2	24.6	25.3	-	24.0	24.4	25.1	-	23.4	23.7	24.5	-	22.3	22.6	23.4	-	21.0	21.3	22.0	-	19.7	20.1	20.8	-
	S/T	0.56	0.48	0.34	-	0.56	0.49	0.35	-	0.59	0.51	0.38	-	0.61	0.53	0.40	-	1.00	0.55	0.42	-	1.00	0.61	0.47	-
	ΔT	17.69	16.12	13.18	-	17.65	16.07	13.14	-	17.87	16.30	13.36	-	17.63	16.06	13.12	-	17.42	15.85	12.91	-	18.41	16.83	13.90	-
	KW	1.51	1.51	1.50	-	1.70	1.70	1.70	-	1.92	1.91	1.91	-	2.15	2.15	2.14	-	2.41	2.41	2.40	-	2.71	2.71	2.71	-
	Amps	6.01	6.00	5.99	-	6.89	6.89	6.87	-	7.88	7.87	7.86	-	8.94	8.94	8.92	-	10.13	10.13	10.11	-	11.53	11.52	11.51	-
	Hi PR	242	243	245	-	281	282	283	-	321	322	324	-	364	365	367	-	411	412	414	-	461	462	464	-
Lo PR	121	123	126	-	129	130	133	-	135	137	140	-	141	142	145	-	146	148	151	-	153	154	158	-	
70	MBh	24.5	24.9	25.6	-	24.3	24.6	25.4	-	23.7	24.0	24.7	-	22.6	22.9	23.6	-	21.2	21.6	22.3	-	20.0	20.3	21.1	-
	S/T	0.63	0.55	0.42	-	0.64	0.56	0.42	-	0.66	0.59	0.45	-	0.68	0.60	0.47	-	1.00	0.63	0.49	-	1.00	0.68	0.54	-
	ΔT	16.69	15.12	12.18	-	16.65	15.08	12.14	-	16.87	15.30	12.36	-	16.63	15.06	12.12	-	16.42	14.85	11.91	-	17.41	15.83	12.90	-
	KW	1.52	1.52	1.51	-	1.71	1.71	1.71	-	1.93	1.92	1.92	-	2.16	2.16	2.15	-	2.42	2.42	2.41	-	2.72	2.72	2.72	-
	Amps	6.06	6.05	6.04	-	6.94	6.93	6.92	-	7.93	7.92	7.90	-	8.99	8.98	8.97	-	10.18	10.18	10.16	-	11.58	11.57	11.56	-
	Hi PR	244	245	247	-	283	284	285	-	323	324	326	-	366	367	369	-	413	414	416	-	463	464	466	-
Lo PR	123	124	128	-	130	132	135	-	137	138	141	-	142	144	147	-	148	149	152	-	155	156	159	-	
875	MBh	24.7	25.1	25.8	-	24.5	24.9	25.6	-	23.9	24.2	25.0	-	22.8	23.1	23.9	-	21.4	21.8	22.5	-	20.2	20.6	21.3	-
	S/T	0.67	0.59	0.46	-	0.67	0.60	0.46	-	0.70	0.62	0.49	-	1.00	0.64	0.51	-	1.00	0.67	0.53	-	1.00	0.72	0.58	-
	ΔT	16.06	14.49	11.55	-	16.02	14.44	11.51	-	16.24	14.67	11.73	-	16.00	14.43	11.49	-	15.79	14.22	11.28	-	16.78	15.20	12.27	-
	KW	1.52	1.52	1.52	-	1.72	1.72	1.71	-	1.93	1.93	1.93	-	2.17	2.16	2.16	-	2.43	2.42	2.42	-	2.73	2.73	2.73	-
	Amps	6.09	6.08	6.07	-	6.97	6.96	6.95	-	7.96	7.95	7.93	-	9.02	9.02	9.00	-	10.21	10.21	10.19	-	11.61	11.60	11.59	-
	Hi PR	246	247	248	-	284	285	287	-	324	325	327	-	368	369	370	-	414	415	417	-	464	465	467	-
Lo PR	124	126	129	-	132	133	136	-	138	140	143	-	144	145	148	-	149	151	154	-	156	157	160	-	

700	MBh	24.3	24.6	25.3	26.5	24.0	24.4	25.1	26.2	23.4	23.8	24.5	25.6	22.3	22.7	23.4	24.5	21.0	21.3	22.0	23.2	19.7	20.1	20.8	21.9
	S/T	0.69	0.61	0.47	0.3	0.69	0.62	0.48	0.3	1.00	0.64	0.51	0.4	1.00	0.66	0.52	0.4	1.00	0.68	0.55	0.4	1.00	0.73	0.60	0.5
	ΔT	21.15	19.58	16.64	13.6	21.11	19.53	16.60	13.6	21.33	19.76	16.82	13.8	21.09	19.52	16.58	13.5	20.88	19.31	16.37	13.3	21.87	20.29	17.36	14.3
	KW	1.51	1.50	1.50	1.5	1.70	1.70	1.69	1.7	1.91	1.91	1.91	1.9	2.15	2.15	2.14	2.2	2.41	2.41	2.40	2.4	2.71	2.71	2.71	2.7
	Amps	6.00	6.00	5.98	6.0	6.89	6.88	6.86	6.9	7.87	7.86	7.85	7.9	8.94	8.93	8.92	9.0	10.13	10.12	10.11	10.2	11.53	11.52	11.50	11.6
	Hi PR	242	243	245	249.4	281	282	284	287.8	321	322	324	328.1	364	365	367	371.4	411	412	414	418.1	461	462	464	468.0
Lo PR	121	123	126	131.2	129	130	133	138.6	135	137	140	145.1	141	142	145	150.6	146	148	151	156.1	153	155	158	162.8	
75	MBh	24.5	24.9	25.6	26.7	24.3	24.7	25.4	26.5	23.7	24.0	24.7	25.9	22.6	22.9	23.6	24.8	21.2	21.6	22.3	23.4	20.0	20.4	21.1	22.2
	S/T	0.76	0.68	0.55	0.4	0.77	0.69	0.55	0.4	1.00	0.71	0.58	0.4	1.00	0.73	0.60	0.5	1.00	0.76	0.62	0.5	1.00	1.00	0.67	0.5
	ΔT	20.15	18.58	15.64	12.6	20.11	18.53	15.60	12.6	20.33	18.76	15.82	12.8	20.09	18.52	15.58	12.5	19.88	18.31	15.37	12.3	20.87	19.29	16.36	13.3
	KW	1.52	1.52	1.51	1.5	1.71	1.71	1.70	1.7	1.92	1.92	1.92	1.9	2.16	2.16	2.15	2.2	2.42	2.42	2.41	2.4	2.72	2.72	2.72	2.7
	Amps	6.05	6.05	6.03	6.1	6.94	6.93	6.91	7.0	7.92	7.91	7.90	8.0	8.99	8.98	8.96	9.0	10.18	10.17	10.15	10.2	11.57	11.57	11.55	11.6
	Hi PR	244	245	247	251.4	283	284	286	289.8	323	324	326	330.1	366	367	369	373.4	413	414	416	420.1	463	464	466	470.0
Lo PR	123	124	128	132.8	130	132	135	140.2	137	138	142	146.7	142	144	147	152.2	148	149	152	157.6	155	156	159	164.4	
875	MBh	24.8	25.1	25.8	26.9	24.5	24.9	25.6	26.7	23.9	24.2	25.0	26.1	22.8	23.1	23.9	25.0	21.5	21.8	22.5	23.6	20.2	20.6	21.3	22.4
	S/T	0.80	0.72	0.59	0.4	0.80	0.73	0.59	0.4	1.00	0.75	0.62	0.5	1.00	0.77	0.64	0.5	1.00	0.79	0.66	0.5	1.00	1.00	0.71	0.6
	ΔT	19.52	17.95	15.01	12.0	19.48	17.90	14.97	11.9	19.70	18.12	15.19	12.1	19.46	17.89	14.95	11.9	19.25	17.68	14.74	11.7	20.24	18.66	15.72	12.7
	KW	1.52	1.52	1.52	1.5	1.72	1.71	1.71	1.7	1.93	1.93	1.93	1.9	2.16	2.16	2.16	2.2	2.42	2.42	2.42	2.4	2.73	2.73	2.72	2.7
	Amps	6.08	6.08	6.06	6.1	6.97	6.96	6.94	7.0	7.95	7.94	7.93	8.0	9.02	9.01	8.99	9.1	10.21	10.20	10.19	10.3	11.60	11.60	11.58	11.6
	Hi PR	246	247	249	252.8	284	285	287	291.2	324	326	327	331.5	368	369	371	374.8	415	416	417	421.5	464	465	467	471.4
Lo PR	124	126	129	134.0	132	133	136	141.4	138	140	143	148.0	144	145	148	153.5	149	151	154	158.9	156	157	160	165.7	

IDB = Entering Indoor Dry Bulb Temperature
 High and low pressures are measured at the liquid and suction access fittings.
 Design Subcooling, 5-7 °F @ the liquid access fitting connection AHR1 95 test conditions. Design Superheat 15-18°F @ the compressor suction access fitting connection.
 Shaded area reflects AHR1 (TVA) conditions.
 KW = Total system power
 Amps: Unit amps (comp.+ evaporator + condenser fan motors)

IDB	AIRFLOW	OUTDOOR AMBIENT TEMPERATURE																							
		65				75				85				95				105				115			
		59	63	67	71	59	63	67	71	59	63	67	71	59	63	67	71	59	63	67	71	59	63	67	71
80	Mbh	24.4	24.7	25.5	26.6	24.2	24.5	25.2	26.4	23.5	23.9	24.6	25.7	22.4	22.8	23.5	24.6	21.1	21.4	22.2	23.3	19.9	20.2	20.9	22.1
	S/T	0.81	0.74	0.60	0.5	1.00	0.74	0.61	0.5	1.00	0.77	0.63	0.5	1.00	0.79	0.65	0.5	1.00	1.00	0.67	0.5	1.00	1.00	0.72	0.6
	ΔT	24.63	23.06	20.12	17.1	24.59	23.02	20.08	17.0	24.81	23.24	20.30	17.3	24.57	23.00	20.06	17.0	24.36	22.79	19.85	16.8	25.35	23.78	20.84	17.8
	kW	1.51	1.51	1.50	1.5	1.70	1.70	1.69	1.7	1.92	1.91	1.91	1.9	2.15	2.15	2.14	2.2	2.41	2.41	2.40	2.4	2.71	2.71	2.71	2.7
	Amps	6.01	6.00	5.99	6.1	6.89	6.88	6.87	6.9	7.88	7.87	7.85	7.9	8.94	8.94	8.92	9.0	10.13	10.13	10.11	10.2	11.53	11.52	11.51	11.6
	Hi PR	243	244	246	249.8	281	282	284	288.3	321	323	324	328.5	365	366	368	371.8	412	413	414	418.6	461	462	464	468.5
	Lo PR	122	123	127	131.7	129	131	134	139.2	136	137	140	145.7	141	143	146	151.2	147	148	151	156.6	154	155	158	163.4
	Mbh	24.7	25.0	25.7	26.8	24.4	24.8	25.5	26.6	23.8	24.1	24.9	26.0	22.7	23.0	23.8	24.9	21.4	21.7	22.4	23.5	20.1	20.5	21.2	22.3
	S/T	1.00	0.81	0.67	0.5	1.00	0.82	0.68	0.5	1.00	0.84	0.70	0.6	1.00	0.86	0.72	0.6	1.00	1.00	0.75	0.6	1.00	1.00	0.80	0.7
	ΔT	23.63	22.06	19.12	16.1	23.59	22.02	19.08	16.0	23.81	22.24	19.30	16.3	23.57	22.00	19.06	16.0	23.36	21.79	18.85	15.8	24.35	22.78	19.84	16.8
kW	1.52	1.52	1.51	1.5	1.71	1.71	1.71	1.7	1.93	1.92	1.92	1.9	2.16	2.16	2.15	2.2	2.42	2.42	2.41	2.4	2.72	2.72	2.72	2.7	
Amps	6.06	6.05	6.04	6.1	6.94	6.93	6.92	7.0	7.92	7.92	7.90	8.0	8.99	8.98	8.97	9.0	10.18	10.17	10.16	10.2	11.58	11.57	11.56	11.6	
Hi PR	245	246	248	251.8	283	284	286	290.3	323	325	326	330.5	367	368	370	373.9	414	415	416	420.6	463	464	466	470.5	
Lo PR	125	125	128	133.3	131	132	136	140.7	137	139	142	147.3	143	144	148	152.8	148	150	153	158.2	155	157	160	165.0	
Mbh	24.9	25.2	26.0	27.1	24.7	25.0	25.7	26.8	24.0	24.4	25.1	26.2	22.9	23.3	24.0	25.1	21.6	21.9	22.7	23.8	20.4	20.7	21.4	22.5	
S/T	1.00	0.85	0.71	0.6	1.00	0.85	0.72	0.6	1.00	0.88	0.74	0.6	1.00	1.00	0.76	0.6	1.00	1.00	0.78	0.6	1.00	1.00	0.84	0.7	
ΔT	23.00	21.43	18.49	15.4	22.96	21.39	18.45	15.4	23.18	21.61	18.67	15.6	22.94	21.37	18.43	15.4	22.73	21.16	18.22	15.2	23.72	22.14	19.21	16.2	
kW	1.52	1.52	1.52	1.5	1.72	1.72	1.71	1.7	1.93	1.93	1.93	1.9	2.17	2.16	2.16	2.2	2.43	2.42	2.42	2.4	2.73	2.73	2.73	2.7	
Amps	6.09	6.08	6.07	6.1	6.97	6.96	6.95	7.0	7.96	7.95	7.93	8.0	9.02	9.01	9.00	9.1	10.21	10.20	10.19	10.3	11.61	11.60	11.59	11.7	
Hi PR	246	247	249	253.2	285	286	287	291.7	325	326	328	331.9	368	369	371	375.3	415	416	418	422.0	465	466	468	471.9	
Lo PR	125	126	129	134.5	132	134	137	142.0	139	140	143	148.5	144	146	149	154.0	150	151	154	159.4	156	158	161	166.2	

Mbh	24.8	25.1	25.9	27.0	24.6	24.9	25.7	26.8	23.9	24.3	25.0	26.1	22.8	23.2	23.9	25.0	21.5	21.9	22.6	23.7	20.3	20.6	21.4	22.5
S/T	1.00	0.84	0.70	0.6	1.00	0.84	0.71	0.6	1.00	1.00	0.83	0.7	1.00	1.00	0.75	0.6	1.00	1.00	0.77	0.6	1.00	1.00	1.00	0.7
ΔT	27.72	26.15	23.21	20.2	27.68	26.11	23.17	20.1	27.90	26.33	23.39	20.3	27.66	26.09	23.15	20.1	27.45	25.88	22.94	19.9	28.44	26.86	23.93	20.9
kW	1.51	1.51	1.51	1.5	1.70	1.70	1.70	1.7	1.92	1.92	1.91	1.9	2.15	2.15	2.15	2.2	2.41	2.41	2.41	2.4	2.72	2.72	2.71	2.7
Amps	6.03	6.02	6.00	6.1	6.91	6.90	6.89	7.0	7.89	7.89	7.87	7.9	8.96	8.95	8.94	9.0	10.15	10.14	10.13	10.2	11.55	11.54	11.53	11.6
Hi PR	244	245	247	251.0	282	283	285	289.4	323	324	325	329.6	366	367	369	373.0	413	414	415	419.7	463	464	465	469.6
Lo PR	124	125	128	133.5	131	133	136	141.0	138	139	142	147.5	143	145	148	153.0	149	150	153	158.4	155	157	160	165.2
Mbh	25.1	25.4	26.1	27.3	24.8	25.2	25.9	27.0	24.2	24.6	25.3	26.4	23.1	23.5	24.2	25.3	21.8	22.1	22.8	24.0	20.5	20.9	21.6	22.7
S/T	1.00	0.91	0.77	0.6	1.00	0.92	0.78	0.6	1.00	1.00	0.81	0.7	1.00	1.00	0.83	0.7	1.00	1.00	0.85	0.7	1.00	1.00	1.00	0.8
ΔT	26.72	25.15	22.21	19.2	26.68	25.11	22.17	19.1	26.90	25.33	22.39	19.3	26.66	25.09	22.15	19.1	26.45	24.88	21.94	18.9	27.44	25.86	22.93	19.9
kW	1.52	1.52	1.52	1.5	1.71	1.71	1.71	1.7	1.93	1.93	1.92	1.9	2.16	2.16	2.16	2.2	2.42	2.42	2.42	2.4	2.73	2.73	2.72	2.7
Amps	6.07	6.07	6.05	6.1	6.96	6.95	6.93	7.0	7.94	7.93	7.92	8.0	9.01	9.00	8.99	9.1	10.20	10.19	10.18	10.2	11.60	11.59	11.57	11.6
Hi PR	246	247	249	253.0	284	285	287	291.4	325	326	327	331.7	368	369	371	375.0	415	416	417	421.7	465	466	467	471.6
Lo PR	125	127	130	135.1	133	134	137	142.6	139	141	144	149.1	145	146	149	154.6	150	152	155	160.0	157	158	162	166.8
Mbh	25.3	25.6	26.4	27.5	25.1	25.4	26.1	27.3	24.4	24.8	25.5	26.6	23.3	23.7	24.4	25.5	22.0	22.3	23.1	24.2	20.8	21.1	21.8	23.0
S/T	1.00	0.95	0.81	0.7	1.00	1.00	0.82	0.7	1.00	1.00	0.84	0.7	1.00	1.00	0.86	0.7	1.00	1.00	0.89	0.7	1.00	1.00	1.00	0.8
ΔT	26.09	24.52	21.58	18.5	26.05	24.47	21.54	18.5	26.27	24.70	21.76	18.7	26.03	24.46	21.52	18.5	25.82	24.25	21.31	18.3	26.81	25.23	22.30	19.3
kW	1.53	1.53	1.52	1.5	1.72	1.72	1.72	1.7	1.94	1.93	1.93	1.9	2.17	2.17	2.16	2.2	2.43	2.43	2.42	2.4	2.73	2.73	2.73	2.7
Amps	6.10	6.10	6.08	6.2	6.99	6.98	6.96	7.0	7.97	7.96	7.95	8.0	9.04	9.03	9.02	9.1	10.23	10.22	10.21	10.3	11.63	11.62	11.60	11.7
Hi PR	247	248	250	254.4	286	287	289	292.8	326	327	329	333.1	369	370	372	376.4	416	417	419	423.1	466	467	469	473.0
Lo PR	127	128	131	136.4	134	135	139	143.8	141	142	145	150.3	146	148	151	155.9	151	153	156	161.3	158	160	163	168.0

IDB = Entering Indoor Dry Bulb Temperature
 High and low pressures are measured at the liquid and suction access fittings.
 Design Subcooling, 5-7 °F @ the liquid access fitting connection AHRI 95 test conditions. Design Superheat 15-18°F @ the compressor suction access fitting connection.
 Shaded area reflects AHRI conditions.
 Amps: Unit amps (comp.+ evaporator + condenser fan motors)
 kW = Total system power

IDB	AIRFLOW	OUTDOOR AMBIENT TEMPERATURE																							
		65				75				85				95				105				115			
		59	63	67	71	59	63	67	71	59	63	67	71	59	63	67	71	59	63	67	71	59	63	67	71
70	MBh	0.0	28.4	29.2	-	27.7	28.1	29.0	-	27.0	27.4	28.2	-	25.7	26.1	27.0	-	24.2	24.6	25.4	-	22.8	23.2	24.0	-
	S/T	0.62	0.54	0.39	-	0.63	0.54	0.40	-	0.65	0.57	0.43	-	1.00	0.59	0.45	-	1.00	0.62	0.47	-	1.00	0.67	0.53	-
	ΔT	18.23	16.58	13.50	-	18.19	16.54	13.46	-	18.42	16.77	13.69	-	18.17	16.52	13.44	-	17.95	16.30	13.22	-	18.98	17.33	14.25	-
	KW	1.74	1.73	1.73	-	1.96	1.96	1.95	-	2.21	2.20	2.20	-	2.47	2.47	2.47	-	2.77	2.77	2.77	-	3.13	3.12	3.12	-
	Amps	6.84	6.83	6.81	-	7.86	7.85	7.83	-	8.99	8.98	8.97	-	10.22	10.21	10.20	-	11.59	11.59	11.57	-	13.21	13.20	13.18	-
	Hi PR	249	251	252	-	289	290	292	-	330	331	333	-	375	376	378	-	423	424	426	-	474	475	477	-
	Lo PR	124	126	129	-	132	134	137	-	139	140	143	-	144	146	149	-	150	151	155	-	157	158	161	-
	MBh	28.4	28.8	29.7	-	28.2	28.6	29.4	-	27.5	27.9	28.7	-	26.2	26.6	27.4	-	24.7	25.1	25.9	-	23.3	23.6	24.5	-
	S/T	0.71	0.63	0.49	-	0.72	0.64	0.49	-	0.75	0.66	0.52	-	1.00	0.69	0.54	-	1.00	0.71	0.56	-	1.00	0.76	0.62	-
	ΔT	16.85	15.20	12.12	-	16.81	15.16	12.07	-	17.04	15.39	12.31	-	16.79	15.14	12.06	-	16.57	14.92	11.84	-	17.60	15.95	12.87	-
KW	1.75	1.75	1.75	-	1.97	1.97	1.97	-	2.22	2.22	2.22	-	2.49	2.49	2.48	-	2.79	2.79	2.78	-	3.14	3.14	3.14	-	
Amps	6.91	6.90	6.89	-	7.93	7.92	7.90	-	9.06	9.06	9.04	-	10.29	10.29	10.27	-	11.67	11.66	11.64	-	13.28	13.27	13.25	-	
Hi PR	252	253	255	-	292	293	295	-	333	334	336	-	378	379	381	-	426	427	429	-	477	478	480	-	
Lo PR	127	128	132	-	134	136	139	-	141	143	146	-	147	148	151	-	152	154	157	-	159	161	164	-	
MBh	28.7	29.1	29.9	-	28.4	28.8	29.7	-	27.7	28.1	28.9	-	26.4	26.8	27.7	-	24.9	25.3	26.1	-	23.5	23.9	24.7	-	
S/T	0.74	0.65	0.51	-	0.74	0.66	0.52	-	0.77	0.69	0.54	-	1.00	0.71	0.56	-	1.00	0.73	0.59	-	1.00	0.79	0.64	-	
ΔT	16.36	14.71	11.63	-	16.31	14.66	11.58	-	16.55	14.89	11.81	-	16.30	14.65	11.56	-	16.08	14.42	11.34	-	17.11	15.46	12.38	-	
KW	1.76	1.76	1.75	-	1.98	1.98	1.97	-	2.23	2.23	2.22	-	2.50	2.49	2.49	-	2.80	2.79	2.79	-	3.15	3.15	3.14	-	
Amps	6.94	6.93	6.91	-	7.95	7.95	7.93	-	9.09	9.08	9.07	-	10.32	10.31	10.29	-	11.69	11.69	11.67	-	13.30	13.30	13.28	-	
Hi PR	254	255	256	-	293	294	296	-	334	335	337	-	379	380	382	-	427	428	430	-	478	479	481	-	
Lo PR	128	130	133	-	136	137	140	-	142	144	147	-	148	149	153	-	153	155	158	-	160	162	165	-	

75	MBh	28.0	28.4	29.2	30.5	27.7	28.1	29.0	30.3	27.0	27.4	28.2	29.5	25.7	26.1	27.0	28.3	24.2	24.6	25.4	26.7	22.8	23.2	24.0	25.3
	S/T	0.76	0.68	0.53	0.4	0.76	0.68	0.54	0.4	1.00	0.71	0.56	0.4	1.00	0.73	0.59	0.4	1.00	0.75	0.61	0.5	1.00	1.00	0.66	0.5
	ΔT	21.86	20.21	17.13	13.9	21.82	20.17	17.08	13.9	22.05	20.40	17.32	14.1	21.80	20.15	17.07	13.9	21.58	19.93	16.85	13.7	22.61	20.96	17.88	14.7
	KW	1.73	1.73	1.73	1.7	1.96	1.95	1.95	2.0	2.20	2.20	2.20	2.2	2.47	2.47	2.47	2.5	2.77	2.77	2.77	2.8	3.12	3.12	3.12	3.1
	Amps	6.83	6.82	6.81	6.9	7.85	7.84	7.82	7.9	8.98	8.98	8.96	9.0	10.21	10.21	10.19	10.3	11.59	11.58	11.56	11.6	13.20	13.19	13.17	13.3
	Hi PR	250	251	253	256.9	289	290	292	296.4	331	332	333	337.8	375	376	378	382.3	423	424	426	430.3	474	475	477	481.6
	Lo PR	124	126	129	134.5	132	134	137	142.1	139	140	143	148.8	144	146	149	154.4	150	151	155	159.9	157	158	162	166.9
	MBh	28.5	28.9	29.7	31.0	28.2	28.6	29.4	30.7	27.5	27.9	28.7	30.0	26.2	26.6	27.5	28.7	24.7	25.1	25.9	27.2	23.3	23.7	24.5	25.8
	S/T	0.85	0.77	0.62	0.5	1.00	0.78	0.63	0.5	1.00	0.80	0.66	0.5	1.00	0.82	0.68	0.5	1.00	0.85	0.70	0.5	1.00	1.00	0.76	0.6
	ΔT	20.48	18.83	15.75	12.6	20.44	18.79	15.70	12.5	20.67	19.02	15.94	12.7	20.42	18.77	15.69	12.5	20.20	18.55	15.47	12.3	21.23	19.58	16.50	13.3
KW	1.75	1.75	1.74	1.8	1.97	1.97	1.97	2.0	2.22	2.22	2.21	2.2	2.49	2.49	2.48	2.5	2.79	2.79	2.78	2.8	3.14	3.14	3.14	3.2	
Amps	6.90	6.90	6.88	7.0	7.92	7.91	7.90	8.0	9.06	9.05	9.03	9.1	10.29	10.28	10.26	10.3	11.66	11.65	11.64	11.7	13.27	13.26	13.25	13.3	
Hi PR	253	254	255	259.8	292	293	295	299.3	333	335	336	340.6	378	379	381	385.2	426	427	429	433.2	477	478	480	484.5	
Lo PR	127	128	132	136.9	134	136	139	144.5	141	143	146	151.2	147	148	152	156.8	152	154	157	162.4	159	161	164	169.3	
MBh	28.7	29.1	29.9	31.2	28.5	28.9	29.7	31.0	27.7	28.1	29.0	30.2	26.5	26.9	27.7	29.0	24.9	25.3	26.2	27.4	23.5	23.9	24.7	26.0	
S/T	0.87	0.79	0.65	0.5	1.00	0.80	0.65	0.5	1.00	0.83	0.68	0.5	1.00	0.85	0.70	0.5	1.00	1.00	0.73	0.6	1.00	1.00	0.78	0.6	
ΔT	19.99	18.34	15.25	12.1	19.94	18.29	15.21	12.0	20.17	18.52	15.44	12.2	19.93	18.27	15.19	12.0	19.71	18.05	14.97	11.8	20.74	19.09	16.01	12.8	
KW	1.76	1.75	1.75	1.8	1.98	1.98	1.97	2.0	2.23	2.22	2.22	2.2	2.49	2.49	2.49	2.5	2.79	2.79	2.79	2.8	3.15	3.14	3.14	3.2	
Amps	6.93	6.92	6.91	7.0	7.95	7.94	7.92	8.0	9.08	9.08	9.06	9.1	10.31	10.31	10.29	10.4	11.69	11.68	11.66	11.7	13.30	13.29	13.27	13.4	
Hi PR	254	255	257	261.0	293	294	296	300.4	335	336	337	341.8	379	380	382	386.4	427	428	430	434.4	478	480	481	485.6	
Lo PR	128	130	133	138.1	136	137	140	145.7	142	144	147	152.3	148	149	153	158.0	153	155	158	163.5	160	162	165	170.4	

IDB = Entering Indoor Dry Bulb Temperature
 High and low pressures are measured at the liquid and suction access fittings.
 Design Subcooling, 5-7 °F @ the liquid access fitting connection AHR1 95 test conditions. Design Superheat 15-18°F @ the compressor suction access fitting connection.
 Shaded area reflects AHR1 (TVA) conditions.
 Amps: Unit amps (comp.+ evaporator + condenser fan motors)
 KW = Total system power

IDB	Airflow	Outdoor Ambient Temperature												105°F												115°F											
		65°F						75°F						85°F						95°F						105°F						115°F					
		59	63	67	71	75	79	59	63	67	71	75	79	59	63	67	71	75	79	59	63	67	71	75	79	59	63	67	71	75	79	59	63	67	71	75	79
80	Mbh	28.1	28.5	29.4	30.6	31.1	27.9	28.3	29.1	30.4	30.9	27.6	28.0	28.9	30.1	25.9	26.3	27.1	28.4	24.3	24.7	25.6	26.9	22.9	23.3	24.2	25.5	22.9	23.3	24.2	25.5						
	S/T	1.00	0.81	0.67	0.5	0.5	1.00	0.84	0.70	0.5	0.5	1.00	0.94	0.79	0.6	1.00	1.00	0.84	0.7	1.00	1.00	0.84	0.7	1.00	1.00	0.80	0.6	1.00	1.00	0.80	0.6						
	ΔT	25.52	23.87	20.78	17.6	17.5	25.47	23.82	20.74	17.5	17.5	25.70	24.05	20.97	17.8	25.46	23.80	20.72	17.5	25.23	23.58	20.50	17.3	26.27	24.62	21.54	18.3	26.27	24.62	21.54	18.3						
	kW	1.73	1.73	1.73	1.7	1.7	1.96	1.96	1.95	2.0	2.0	2.21	2.20	2.20	2.2	2.47	2.47	2.47	2.5	2.77	2.77	2.77	2.8	3.13	3.12	3.12	3.1	3.13	3.12	3.12	3.1						
	Amps	6.84	6.83	6.81	6.9	6.9	7.85	7.85	7.83	7.9	7.9	8.99	8.98	8.96	9.0	10.22	10.21	10.19	10.3	11.59	11.58	11.57	11.6	13.20	13.20	13.18	13.3	13.20	13.20	13.18	13.3						
	Hi PR	250	251	253	257.4	257.4	290	291	292	296.9	296.9	331	332	334	338.2	376	377	378	382.8	424	425	426	430.8	475	476	478	482.0	475	476	478	482.0						
	Lo PR	127	129	130	135.1	135.1	133	134	137	142.7	142.7	139	141	144	148.3	145	146	150	155.0	150	152	155	160.5	157	159	162	167.4	157	159	162	167.4						
	Mbh	28.6	29.0	29.8	31.1	31.4	28.6	29.0	29.8	31.1	31.4	27.9	28.3	29.1	30.4	26.6	27.0	27.8	29.1	25.1	25.5	26.3	27.6	23.7	24.1	24.9	26.2	23.7	24.1	24.9	26.2						
	S/T	1.00	0.93	0.78	0.6	0.6	1.00	0.93	0.79	0.6	0.6	1.00	0.96	0.82	0.7	1.00	1.00	0.84	0.7	1.00	1.00	0.86	0.7	1.00	1.00	0.91	0.8	1.00	1.00	0.91	0.8						
	ΔT	23.64	21.99	18.91	15.7	15.7	23.60	21.95	18.86	15.7	15.7	23.83	22.18	19.10	15.9	23.58	21.93	18.85	15.7	23.36	21.71	18.63	15.4	24.39	22.74	19.66	16.5	24.39	22.74	19.66	16.5						
kW	1.76	1.75	1.75	1.8	1.8	1.98	1.98	1.97	2.0	2.0	2.23	2.23	2.22	2.2	2.50	2.49	2.49	2.5	2.80	2.79	2.79	2.8	3.15	3.15	3.14	3.2	3.15	3.15	3.14	3.2							
Amps	6.94	6.93	6.91	7.0	7.0	7.95	7.95	7.93	8.0	8.0	9.09	9.08	9.06	9.1	10.32	10.31	10.29	10.4	11.69	11.68	11.67	11.7	13.30	13.30	13.28	13.4	13.30	13.30	13.28	13.4							
Hi PR	254	255	257	261.4	261.4	294	295	297	300.9	300.9	335	336	338	342.3	380	381	382	386.8	428	429	430	434.8	479	480	482	486.1	479	480	482	486.1							
Lo PR	129	130	133	138.6	138.6	136	138	141	146.2	146.2	143	144	148	152.9	148	150	153	158.5	154	156	159	164.0	161	162	166	171.0	161	162	166	171.0							

85	Mbh	28.6	29.0	29.8	31.1	31.4	28.4	28.8	29.6	30.9	27.6	28.0	28.9	30.1	26.4	26.8	27.6	28.9	24.8	25.2	26.1	27.3	23.4	23.8	24.6	25.9	23.4	23.8	24.6	25.9	
	S/T	1.00	0.92	0.77	0.6	0.6	1.00	1.00	0.87	0.7	0.7	1.00	1.00	0.81	0.7	1.00	1.00	0.83	0.7	1.00	1.00	0.85	0.7	1.00	1.00	0.80	0.8	1.00	1.00	0.80	0.8
	ΔT	28.76	27.11	24.03	20.8	20.8	28.71	27.06	23.98	20.8	20.8	28.95	27.29	24.21	21.0	28.70	27.05	23.96	20.8	28.48	26.82	23.74	20.5	29.51	27.86	24.78	21.6	29.51	27.86	24.78	21.6
	kW	1.74	1.74	1.73	1.8	1.8	1.96	1.96	1.96	2.0	2.0	2.21	2.21	2.20	2.2	2.48	2.48	2.47	2.5	2.78	2.78	2.77	2.8	3.13	3.13	3.12	3.1	3.13	3.13	3.12	3.1
	Amps	6.86	6.85	6.83	6.9	6.9	7.87	7.87	7.85	7.9	7.9	9.01	9.00	8.98	9.1	10.24	10.23	10.21	10.3	11.61	11.60	11.59	11.7	13.22	13.22	13.20	13.3	13.22	13.22	13.20	13.3
	Hi PR	251	252	254	258.5	258.5	291	292	294	298.0	298.0	332	333	335	339.4	377	378	380	383.9	425	426	428	432.0	476	477	479	483.2	476	477	479	483.2
	Lo PR	127	128	132	136.9	136.9	134	136	139	144.5	144.5	141	143	146	151.2	147	148	152	156.8	152	154	157	162.4	159	161	164	169.3	159	161	164	169.3
	Mbh	29.1	29.5	30.3	31.6	31.6	28.8	29.2	30.1	31.3	31.6	28.1	28.5	29.3	30.6	26.8	27.2	28.1	29.4	25.3	25.7	26.5	27.8	23.9	24.3	25.1	26.4	23.9	24.3	25.1	26.4
	S/T	1.00	1.00	0.87	0.7	0.7	1.00	1.00	0.87	0.7	0.7	1.00	1.00	0.90	0.7	1.00	1.00	0.92	0.8	1.00	1.00	0.86	0.8	1.00	1.00	0.80	0.8	1.00	1.00	0.80	0.8
	ΔT	27.38	25.73	22.64	19.5	19.5	27.33	25.68	22.60	19.4	19.4	27.56	25.91	22.83	19.6	27.32	25.66	22.58	19.4	27.10	25.44	22.36	19.2	28.13	26.48	23.40	20.2	28.13	26.48	23.40	20.2
kW	1.76	1.75	1.75	1.8	1.8	1.98	1.98	1.97	2.0	2.0	2.23	2.22	2.22	2.2	2.49	2.49	2.49	2.5	2.79	2.79	2.79	2.8	3.15	3.14	3.14	3.2	3.15	3.14	3.14	3.2	
Amps	6.93	6.92	6.90	7.0	7.0	7.95	7.94	7.92	8.0	8.0	9.08	9.07	9.06	9.1	10.31	10.30	10.29	10.4	11.69	11.68	11.66	11.7	13.30	13.29	13.27	13.3	13.30	13.29	13.27	13.3	
Hi PR	254	255	257	261.4	261.4	294	295	297	300.9	300.9	335	336	338	342.3	380	381	382	386.8	428	429	430	434.8	479	480	482	486.1	479	480	482	486.1	
Lo PR	129	131	134	139.4	139.4	137	138	142	147.0	147.0	144	145	148	153.6	149	151	154	159.3	155	156	159	164.8	162	163	166	171.7	162	163	166	171.7	
Mbh	29.3	29.7	30.6	31.8	31.8	29.1	29.5	30.3	31.6	31.6	28.3	28.7	29.6	30.9	27.1	27.5	28.3	29.6	25.5	25.9	26.8	28.1	24.1	24.5	25.4	26.6	24.1	24.5	25.4	26.6	
S/T	1.00	1.00	0.89	0.7	0.7	1.00	1.00	0.90	0.7	0.7	1.00	1.00	0.92	0.8	1.00	1.00	0.94	0.8	1.00	1.00	0.86	0.8	1.00	1.00	0.80	0.9	1.00	1.00	0.80	0.9	
ΔT	26.88	25.23	22.15	19.0	19.0	26.84	25.19	22.10	18.9	18.9	27.07	25.42	22.34	19.1	26.82	25.17	22.09	18.9	26.60	24.95	21.87	18.7	27.63	25.98	22.90	19.7	27.63	25.98	22.90	19.7	
kW	1.76	1.76	1.76	1.8	1.8	1.98	1.98	1.98	2.0	2.0	2.23	2.23	2.23	2.2	2.50	2.50	2.49	2.5	2.80	2.80	2.79	2.8	3.15	3.15	3.15	3.2	3.15	3.15	3.15	3.2	
Amps	6.96	6.95	6.93	7.0	7.0	7.97	7.96	7.95	8.0	8.0	9.11	9.10	9.08	9.2	10.34	10.33	10.31	10.4	11.71	11.70	11.69	11.8	13.32	13.31	13.30	13.4	13.32	13.31	13.30	13.4	
Hi PR	255	256	258	262.6	262.6	295	296	298	302.1	302.1	336	337	339	343.5	381	382	384	388.0	429	430	432	436.0	480	481	483	487.3	480	481	483	487.3	
Lo PR	130	132	135	140.5	140.5	138	140	143	148.1	148.1	145	146	149	154.8	150	152	155	160.4	156	157	161	165.9	163	164	168	172.8	163	164	168	172.8	

IDB = Entering Indoor Dry Bulb Temperature
 High and low pressures are measured at the liquid and suction access fittings.
 Design Subcooling, 5-7 °F @ the liquid access fitting connection AHRI 95 test conditions. Design Superheat 15-18°F @ the compressor suction access fitting connection.
 Shaded area reflects AHRI conditions.
 Amps: Unit amps (comp.+ evaporator + condenser fan motors)
 kW = Total system power

IDB	AIRFLOW	OUTDOOR AMBIENT TEMPERATURE																							
		65				75				85				95				105				115			
		59	63	67	71	59	63	67	71	59	63	67	71	59	63	67	71	59	63	67	71	59	63	67	71
70	MBh	35.4	35.9	37.0	-	35.1	35.6	36.6	-	34.2	34.7	35.7	-	32.6	33.1	34.1	-	30.6	31.1	32.2	-	28.9	29.4	30.4	-
	S/T	0.62	0.55	0.41	-	0.63	0.55	0.41	-	0.66	0.58	0.44	-	1.00	0.60	0.46	-	1.00	0.62	0.48	-	1.00	0.67	0.53	-
	ΔT	19.20	17.43	14.11	-	19.15	17.38	14.06	-	19.40	17.63	14.31	-	19.14	17.36	14.04	-	18.90	17.12	13.81	-	20.01	18.24	14.92	-
	KW	2.21	2.20	2.20	-	2.48	2.48	2.48	-	2.79	2.79	2.78	-	3.12	3.12	3.12	-	3.50	3.50	3.49	-	3.94	3.93	3.93	-
	Amps	8.85	8.84	8.82	-	10.12	10.11	10.08	-	11.53	11.52	11.50	-	13.06	13.05	13.03	-	14.77	14.76	14.73	-	16.77	16.76	16.74	-
	Hi PR	250	251	253	-	289	290	292	-	331	332	334	-	375	376	378	-	423	424	426	-	474	475	477	-
Lo PR	126	127	130	-	133	135	138	-	140	141	145	-	146	147	150	-	151	153	156	-	158	160	163	-	
70	MBh	35.9	36.4	37.4	-	35.6	36.1	37.1	-	34.6	35.1	36.2	-	33.0	33.5	34.6	-	31.1	31.6	32.7	-	29.3	29.8	30.9	-
	S/T	0.69	0.61	0.47	-	0.69	0.61	0.47	-	0.72	0.64	0.50	-	1.00	0.66	0.52	-	1.00	0.68	0.54	-	1.00	0.73	0.60	-
	ΔT	18.13	16.35	13.04	-	18.08	16.31	12.99	-	18.33	16.56	13.24	-	18.06	16.29	12.97	-	17.83	16.05	12.73	-	18.94	17.16	13.85	-
	KW	2.22	2.22	2.21	-	2.50	2.49	2.49	-	2.81	2.80	2.80	-	3.14	3.14	3.13	-	3.51	3.51	3.51	-	3.95	3.95	3.94	-
	Amps	8.92	8.91	8.88	-	10.18	10.17	10.15	-	11.59	11.58	11.56	-	13.12	13.11	13.09	-	14.83	14.82	14.80	-	16.83	16.82	16.80	-
	Hi PR	252	253	255	-	292	293	294	-	333	334	336	-	377	378	380	-	425	426	428	-	477	478	479	-
Lo PR	127	129	132	-	135	137	140	-	142	143	147	-	147	149	152	-	153	155	158	-	160	161	165	-	
70	MBh	36.4	36.9	38.0	-	36.1	36.6	37.7	-	35.2	35.7	36.7	-	33.6	34.1	35.2	-	31.7	32.2	33.2	-	29.9	30.4	31.4	-
	S/T	0.72	0.64	0.50	-	0.73	0.65	0.51	-	1.00	0.67	0.53	-	1.00	0.69	0.55	-	1.00	0.72	0.58	-	1.00	1.00	0.63	-
	ΔT	17.23	15.45	12.14	-	17.18	15.40	12.09	-	17.43	15.65	12.34	-	17.16	15.38	12.07	-	16.92	15.15	11.83	-	18.04	16.26	12.94	-
	KW	2.23	2.23	2.23	-	2.51	2.51	2.50	-	2.82	2.82	2.81	-	3.15	3.15	3.14	-	3.52	3.52	3.52	-	3.96	3.96	3.96	-
	Amps	8.97	8.96	8.94	-	10.24	10.23	10.20	-	11.65	11.64	11.62	-	13.18	13.17	13.15	-	14.89	14.88	14.85	-	16.89	16.88	16.86	-
	Hi PR	254	255	257	-	294	295	296	-	335	336	338	-	379	380	382	-	427	428	430	-	479	480	481	-
Lo PR	129	131	134	-	137	139	142	-	144	145	149	-	149	151	154	-	155	157	160	-	162	164	167	-	

75	MBh	35.4	35.9	37.0	38.6	35.1	35.6	36.7	38.3	34.2	34.7	35.7	37.4	32.6	33.1	34.2	35.8	30.6	31.1	32.2	33.8	28.9	29.4	30.4	32.0
	S/T	0.76	0.68	0.54	0.4	1.00	0.68	0.54	0.4	1.00	0.71	0.57	0.4	1.00	0.73	0.59	0.4	1.00	0.81	0.68	0.5	1.00	1.00	0.73	0.6
	ΔT	23.11	21.33	18.02	14.6	23.06	21.28	17.97	14.5	23.31	21.53	18.22	14.8	23.04	21.27	17.95	14.5	22.80	21.03	17.71	14.3	23.92	22.14	18.82	15.4
	KW	2.20	2.20	2.20	2.2	2.48	2.48	2.47	2.5	2.79	2.79	2.78	2.8	3.12	3.12	3.12	3.1	3.50	3.49	3.49	3.5	3.93	3.93	3.93	3.9
	Amps	8.84	8.83	8.81	8.9	10.11	10.10	10.08	10.2	11.52	11.51	11.49	11.6	13.05	13.04	13.02	13.1	14.76	14.75	14.73	14.8	16.76	16.75	16.73	16.8
	Hi PR	250	251	253	257.4	290	291	292	296.8	331	332	334	338.2	375	377	378	382.6	423	425	426	430.6	475	476	477	481.8
Lo PR	126	127	130	135.7	133	135	138	143.4	140	142	145	150.1	146	147	150	155.7	151	153	156	161.3	158	160	163	168.2	
75	MBh	35.9	36.4	37.4	39.1	35.6	36.1	37.1	38.7	34.6	35.1	36.2	37.8	33.1	33.6	34.6	36.2	31.1	31.6	32.7	34.3	29.3	29.8	30.9	32.5
	S/T	0.82	0.74	0.60	0.5	1.00	0.75	0.61	0.5	1.00	0.77	0.63	0.5	1.00	0.79	0.65	0.5	1.00	0.81	0.68	0.5	1.00	1.00	0.73	0.6
	ΔT	22.04	20.26	16.94	13.5	21.99	20.21	16.89	13.5	22.24	20.46	17.14	13.7	21.97	20.19	16.88	13.4	21.73	19.96	16.64	13.2	22.84	21.07	17.75	14.3
	KW	2.22	2.22	2.21	2.2	2.49	2.49	2.49	2.5	2.80	2.80	2.80	2.8	3.14	3.14	3.13	3.2	3.51	3.51	3.50	3.5	3.95	3.95	3.94	4.0
	Amps	8.91	8.90	8.88	9.0	10.17	10.16	10.14	10.2	11.59	11.58	11.55	11.7	13.11	13.10	13.08	13.2	14.82	14.81	14.79	14.9	16.83	16.82	16.79	16.9
	Hi PR	252	253	255	259.5	292	293	295	299.0	333	334	336	340.3	378	379	380	384.8	426	427	428	432.7	477	478	480	483.9
Lo PR	127	129	132	137.6	135	137	140	145.2	142	143	147	151.9	147	149	152	157.6	153	155	158	163.1	160	162	165	170.1	
75	MBh	36.4	36.9	38.0	39.6	36.1	36.6	37.7	39.3	35.2	35.7	36.8	38.4	33.6	34.1	35.2	36.8	31.7	32.2	33.2	34.8	29.9	30.4	31.5	33.1
	S/T	0.85	0.77	0.63	0.5	1.00	0.78	0.64	0.5	1.00	0.81	0.67	0.5	1.00	0.83	0.69	0.5	1.00	1.00	0.71	0.6	1.00	1.00	0.76	0.6
	ΔT	21.13	19.36	16.04	12.6	21.08	19.31	15.99	12.6	21.33	19.56	16.24	12.8	21.07	19.29	15.97	12.5	20.83	19.05	15.74	12.3	21.94	20.16	16.85	13.4
	KW	2.23	2.23	2.22	2.2	2.51	2.50	2.50	2.5	2.82	2.81	2.81	2.8	3.15	3.15	3.14	3.2	3.52	3.52	3.52	3.5	3.96	3.96	3.95	4.0
	Amps	8.96	8.95	8.93	9.0	10.23	10.22	10.20	10.3	11.64	11.63	11.61	11.7	13.17	13.16	13.14	13.2	14.88	14.87	14.85	14.9	16.88	16.87	16.85	16.9
	Hi PR	254	255	257	261.6	294	295	297	301.0	335	336	338	342.3	380	381	382	386.8	428	429	430	434.8	479	480	482	486.0
Lo PR	130	131	134	139.6	137	139	142	147.3	144	145	149	153.9	150	151	154	159.6	155	157	160	165.2	162	164	167	172.1	

IDB = Entering Indoor Dry Bulb Temperature
 High and low pressures are measured at the liquid and suction access fittings.
 Design Subcooling, 9-12 °F @ the liquid access fitting connection AHR1 95 test conditions. Design Superheat 7-11°F @ the compressor suction access fitting connection.
 Shaded area reflects AHR1 (TVA) conditions.
 Amps: Unit amps (comp.+ evaporator + condenser fan motors)
 KW = Total system power

IDB		OUTDOOR AMBIENT TEMPERATURE												115																																																																																						
		65						75						85						95						105						115																																																																				
		59	63	67	71	75	79	59	63	67	71	75	79	59	63	67	71	75	79	59	63	67	71	75	79	59	63	67	71	75	79	59	63	67	71	75	79																																																															
ENTERING INDOOR WET BULB TEMPERATURE																																																																																																				
80	Mb/h	35.6	36.1	37.2	38.8	35.3	35.8	36.8	38.5	34.4	34.9	35.9	37.5	32.8	33.3	34.3	36.0	30.8	31.3	32.4	34.0	29.1	29.6	30.6	32.2	Mb/h	32.8	33.3	34.3	36.0	30.8	31.3	32.4	34.0	29.1	29.6	30.6	32.2	Mb/h	30.8	31.3	32.4	34.0	29.1	29.6	30.6	32.2	Mb/h	26.74	24.96	21.64	18.2	27.85	26.07	22.76	19.3	Mb/h	14.76	14.75	14.73	14.8	16.77	16.76	16.74	16.8	Mb/h	15.2	15.3	15.6	16.1	16.8	16.8	16.8	Mb/h	15.2	15.3	15.6	16.1	16.8	16.8	16.8																			
	S/T	1.00	0.81	0.67	0.5	1.00	0.81	0.67	0.5	1.00	0.84	0.70	0.6	1.00	1.00	0.72	0.6	1.00	1.00	0.74	0.6	1.00	1.00	0.80	0.6	S/T	1.00	1.00	0.72	0.6	1.00	1.00	0.74	0.6	1.00	1.00	0.72	0.6	1.00	1.00	0.72	0.6	1.00	1.00	0.74	0.6	1.00	1.00	0.80	0.6	S/T	1.00	1.00	0.72	0.6	1.00	1.00	0.74	0.6	1.00	1.00	0.72	0.6	1.00	1.00	0.72	0.6	1.00	1.00	0.74	0.6	1.00	1.00	0.80	0.6	S/T	1.00	1.00	0.72	0.6	1.00	1.00	0.74	0.6	1.00	1.00	0.72	0.6	1.00	1.00	0.72	0.6	1.00	1.00	0.74	0.6	1.00	1.00	0.80	0.6
	ΔT	27.04	25.26	21.95	18.5	26.99	25.22	21.90	18.5	27.24	25.46	22.15	18.7	26.97	25.20	21.88	18.4	26.74	24.96	21.64	18.2	27.85	26.07	22.76	19.3	ΔT	26.97	25.20	21.88	18.4	26.74	24.96	21.64	18.2	27.85	26.07	22.76	19.3	26.97	25.20	21.88	18.4	26.74	24.96	21.64	18.2	27.85	26.07	22.76	19.3	ΔT	26.74	24.96	21.64	18.2	27.85	26.07	22.76	19.3	26.97	25.20	21.88	18.4	26.74	24.96	21.64	18.2	27.85	26.07	22.76	19.3	26.97	25.20	21.88	18.4	ΔT	14.76	14.75	14.73	14.8	16.77	16.76	16.74	16.8	15.2	15.3	15.6	16.1	16.8	16.8	16.8	16.8	15.2	15.3	15.6	16.1	16.8	16.8	16.8	16.8
	kW	8.85	8.84	8.82	8.9	10.11	10.10	10.08	10.2	11.53	11.52	11.50	11.6	13.06	13.05	13.02	13.1	14.76	14.75	14.73	14.8	16.77	16.76	16.74	16.8	kW	13.06	13.05	13.02	13.1	14.76	14.75	14.73	14.8	16.77	16.76	16.74	16.8	13.06	13.05	13.02	13.1	14.76	14.75	14.73	14.8	16.77	16.76	16.74	16.8	kW	14.76	14.75	14.73	14.8	16.77	16.76	16.74	16.8	15.2	15.3	15.6	16.1	16.8	16.8	16.8	16.8	15.2	15.3	15.6	16.1	16.8	16.8	16.8	16.8	kW	15.2	15.3	15.6	16.1	16.8	16.8	16.8	16.8	15.2	15.3	15.6	16.1	16.8	16.8	16.8	16.8	15.2	15.3	15.6	16.1	16.8	16.8	16.8	16.8
	Amps	251	252	253	257.8	290	291	293	297.3	331	332	334	338.6	376	377	379	383.1	424	425	427	431.1	475	476	478	482.3	Amps	376	377	379	383.1	424	425	427	431.1	475	476	478	482.3	376	377	379	383.1	424	425	427	431.1	475	476	478	482.3	Amps	424	425	427	431.1	475	476	478	482.3	15.2	15.3	15.6	16.1	16.8	16.8	16.8	16.8	15.2	15.3	15.6	16.1	16.8	16.8	16.8	16.8	Amps	15.2	15.3	15.6	16.1	16.8	16.8	16.8	16.8	15.2	15.3	15.6	16.1	16.8	16.8	16.8	16.8	15.2	15.3	15.6	16.1	16.8	16.8	16.8	16.8
	Hi PR	251	252	253	257.8	290	291	293	297.3	331	332	334	338.6	376	377	379	383.1	424	425	427	431.1	475	476	478	482.3	Hi PR	376	377	379	383.1	424	425	427	431.1	475	476	478	482.3	376	377	379	383.1	424	425	427	431.1	475	476	478	482.3	Hi PR	424	425	427	431.1	475	476	478	482.3	15.2	15.3	15.6	16.1	16.8	16.8	16.8	16.8	15.2	15.3	15.6	16.1	16.8	16.8	16.8	16.8	Hi PR	15.2	15.3	15.6	16.1	16.8	16.8	16.8	16.8	15.2	15.3	15.6	16.1	16.8	16.8	16.8	16.8	15.2	15.3	15.6	16.1	16.8	16.8	16.8	16.8
	Lo PR	126	128	131	136.3	134	135	139	143.7	141	142	144	150.6	146	148	151	156.3	152	153	156	161.8	175	176	178	182.3	Lo PR	146	148	151	156.3	152	153	156	161.8	175	176	178	182.3	146	148	151	156.3	152	153	156	161.8	175	176	178	182.3	Lo PR	152	153	156	161.8	175	176	178	182.3	15.2	15.3	15.6	16.1	16.8	16.8	16.8	16.8	15.2	15.3	15.6	16.1	16.8	16.8	16.8	16.8	Lo PR	15.2	15.3	15.6	16.1	16.8	16.8	16.8	16.8	15.2	15.3	15.6	16.1	16.8	16.8	16.8	16.8	15.2	15.3	15.6	16.1	16.8	16.8	16.8	16.8
	Mb/h	36.1	36.6	37.6	39.2	35.8	36.3	37.3	38.9	34.8	35.3	36.4	38.0	33.2	33.7	34.8	36.4	31.3	31.8	32.9	34.5	29.5	30.0	31.1	32.7	Mb/h	33.2	33.7	34.8	36.4	31.3	31.8	32.9	34.5	29.5	30.0	31.1	32.7	33.2	33.7	34.8	36.4	31.3	31.8	32.9	34.5	29.5	30.0	31.1	32.7	Mb/h	31.3	31.8	32.9	34.5	29.5	30.0	31.1	32.7	33.2	33.7	34.8	36.4	31.3	31.8	32.9	34.5	29.5	30.0	31.1	32.7	33.2	33.7	34.8	36.4	Mb/h	29.5	30.0	31.1	32.7	33.2	33.7	34.8	36.4	31.3	31.8	32.9	34.5	29.5	30.0	31.1	32.7	33.2	33.7	34.8	36.4	31.3	31.8	32.9	34.5
	S/T	1.00	0.87	0.73	0.6	1.00	0.87	0.74	0.6	1.00	0.90	0.76	0.6	1.00	1.00	0.78	0.6	1.00	1.00	0.80	0.7	1.00	1.00	0.86	0.7	S/T	1.00	1.00	0.78	0.6	1.00	1.00	0.80	0.7	1.00	1.00	0.78	0.6	1.00	1.00	0.78	0.6	1.00	1.00	0.80	0.7	1.00	1.00	0.86	0.7	S/T	1.00	1.00	0.78	0.6	1.00	1.00	0.80	0.7	1.00	1.00	0.78	0.6	1.00	1.00	0.78	0.6	1.00	1.00	0.80	0.7	1.00	1.00	0.86	0.7	S/T	1.00	1.00	0.78	0.6	1.00	1.00	0.80	0.7	1.00	1.00	0.78	0.6	1.00	1.00	0.78	0.6	1.00	1.00	0.80	0.7	1.00	1.00	0.86	0.7
	ΔT	25.97	24.19	20.87	17.4	25.92	24.14	20.83	17.4	26.17	24.39	21.08	17.6	25.90	24.12	20.81	17.4	25.66	23.89	20.57	17.1	26.77	25.00	21.68	18.2	ΔT	25.90	24.12	20.81	17.4	25.66	23.89	20.57	17.1	26.77	25.00	21.68	18.2	25.90	24.12	20.81	17.4	25.66	23.89	20.57	17.1	26.77	25.00	21.68	18.2	ΔT	25.66	23.89	20.57	17.1	26.77	25.00	21.68	18.2	25.90	24.12	20.81	17.4	25.66	23.89	20.57	17.1	26.77	25.00	21.68	18.2	25.90	24.12	20.81	17.4	ΔT	25.66	23.89	20.57	17.1	26.77	25.00	21.68	18.2	25.90	24.12	20.81	17.4	25.66	23.89	20.57	17.1	26.77	25.00	21.68	18.2	25.90	24.12	20.81	17.4
kW	2.22	2.22	2.21	2.2	2.50	2.49	2.49	2.5	2.80	2.80	2.80	2.8	3.14	3.14	3.13	3.2	3.51	3.51	3.51	3.5	3.95	3.95	3.94	4.0	kW	3.14	3.14	3.13	3.2	3.51	3.51	3.51	3.5	3.95	3.95	3.94	4.0	3.14	3.14	3.13	3.2	3.51	3.51	3.51	3.5	3.95	3.95	3.94	4.0	kW	3.51	3.51	3.51	3.5	3.95	3.95	3.94	4.0	3.14	3.14	3.13	3.2	3.51	3.51	3.51	3.5	3.95	3.95	3.94	4.0	3.14	3.14	3.13	3.2	kW	3.51	3.51	3.51	3.5	3.95	3.95	3.94	4.0	3.14	3.14	3.13	3.2	3.51	3.51	3.51	3.5	3.95	3.95	3.94	4.0	3.14	3.14	3.13	3.2	
Amps	8.91	8.90	8.88	9.0	10.18	10.17	10.15	10.2	11.59	11.58	11.56	11.7	13.12	13.11	13.09	13.2	14.83	14.82	14.80	14.9	16.83	16.82	16.80	16.9	Amps	13.12	13.11	13.09	13.2	14.83	14.82	14.80	14.9	16.83	16.82	16.80	16.9	13.12	13.11	13.09	13.2	14.83	14.82	14.80	14.9	16.83	16.82	16.80	16.9	Amps	14.83	14.82	14.80	14.9	16.83	16.82	16.80	16.9	15.2	15.3	15.6	16.1	16.8	16.8	16.8	16.8	15.2	15.3	15.6	16.1	16.8	16.8	16.8	16.8	Amps	15.2	15.3	15.6	16.1	16.8	16.8	16.8	16.8	15.2	15.3	15.6	16.1	16.8	16.8	16.8	16.8	15.2	15.3	15.6	16.1	16.8	16.8	16.8	16.8	
Hi PR	253	254	256	260.0	292	293	295	299.4	334	335	336	340.7	378	379	381	385.2	426	427	429	433.2	477	478	480	484.4	Hi PR	378	379	381	385.2	426	427	429	433.2	477	478	480	484.4	378	379	381	385.2	426	427	429	433.2	477	478	480	484.4	Hi PR	426	427	429	433.2	477	478	480	484.4	15.2	15.3	15.6	16.1	16.8	16.8	16.8	16.8	15.2	15.3	15.6	16.1	16.8	16.8	16.8	16.8	Hi PR	15.2	15.3	15.6	16.1	16.8	16.8	16.8	16.8	15.2	15.3	15.6	16.1	16.8	16.8	16.8	16.8	15.2	15.3	15.6	16.1	16.8	16.8	16.8	16.8	
Lo PR	128	130	133	138.1	136	137	140	145.8	142	144	147	152.5	148	150	153	158.1	154	155	158	163.7	161	162	165	170.																																																																												

EXPANDED COOLING DATA — GP_{HH}54241** HIGH STAGE

IDB	AIRFLOW	OUTDOOR AMBIENT TEMPERATURE												115																	
		65						75						85						95						105					
		59	63	67	71	59	63	67	71	59	63	67	71	59	63	67	71	59	63	67	71	59	63	67	71	59	63	67	71		
70	1100	MBh	42.6	43.2	44.5	-	42.2	42.8	44.1	-	41.1	41.7	43.0	-	39.2	39.8	41.1	-	36.8	37.5	38.7	-	34.7	35.3	36.6	-					
		S/T	0.58	0.50	0.37	-	0.59	0.51	0.38	-	0.61	0.54	0.40	-	0.63	0.55	0.42	-	1.00	0.58	0.44	-	1.00	0.63	0.49	-					
		ΔT	20.76	18.87	15.34	-	20.71	18.82	15.28	-	20.98	19.08	15.55	-	20.69	18.80	15.27	-	20.44	18.55	15.01	-	21.62	19.73	16.20	-					
		KW	2.66	2.66	2.65	-	2.99	2.99	2.99	-	3.37	3.36	3.36	-	3.77	3.76	3.76	-	4.22	4.21	4.21	-	4.74	4.74	4.73	-					
		Amps	10.12	10.11	10.09	-	11.57	11.56	11.53	-	13.18	13.17	13.15	-	14.93	14.91	14.89	-	16.87	16.86	16.84	-	19.16	19.15	19.13	-					
	1300	Hi PR	259	260	262	-	300	301	303	-	343	344	346	-	389	390	392	-	439	440	442	-	492	493	495	-					
		Lo PR	123	124	127	-	130	132	135	-	137	138	141	-	142	144	147	-	148	149	152	-	154	156	159	-					
		MBh	43.3	43.9	45.2	-	42.9	43.5	44.8	-	41.8	42.4	43.7	-	39.9	40.5	41.8	-	37.5	38.1	39.4	-	35.4	36.0	37.3	-					
		S/T	0.66	0.58	0.45	-	0.66	0.59	0.45	-	0.69	0.61	0.48	-	1.00	0.63	0.50	-	1.00	0.65	0.52	-	1.00	0.70	0.57	-					
		ΔT	19.32	17.43	13.89	-	19.27	17.37	13.84	-	19.53	17.64	14.11	-	19.25	17.35	13.82	-	18.99	17.10	13.57	-	20.18	18.29	14.75	-					
1500	KW	2.68	2.68	2.68	-	3.02	3.01	3.01	-	3.39	3.38	3.38	-	3.79	3.79	3.78	-	4.24	4.23	4.23	-	4.76	4.76	4.75	-						
	Amps	10.22	10.21	10.18	-	11.66	11.65	11.63	-	13.28	13.26	13.24	-	15.02	15.01	14.98	-	16.97	16.96	16.93	-	19.26	19.25	19.22	-						
	Hi PR	262	263	265	-	303	304	306	-	346	347	348	-	392	393	395	-	442	443	444	-	495	496	498	-						
	Lo PR	125	126	129	-	132	134	137	-	139	140	143	-	144	146	149	-	150	151	154	-	157	158	161	-						
	MBh	44.1	44.7	46.0	-	43.8	44.4	45.6	-	42.6	43.2	44.5	-	40.7	41.3	42.6	-	38.4	39.0	40.3	-	36.2	36.8	38.1	-						
75	1100	S/T	0.69	0.62	0.49	-	0.70	0.63	0.49	-	0.73	0.65	0.52	-	1.00	0.67	0.54	-	1.00	0.69	0.56	-	1.00	0.74	0.61	-					
		ΔT	18.15	16.26	12.73	-	18.10	16.21	12.67	-	18.37	16.47	12.94	-	18.08	16.19	12.65	-	17.83	15.93	12.40	-	19.01	17.12	13.59	-					
		KW	2.70	2.70	2.69	-	3.03	3.03	3.03	-	3.40	3.40	3.40	-	3.81	3.80	3.80	-	4.25	4.25	4.25	-	4.78	4.78	4.77	-					
		Amps	10.30	10.28	10.26	-	11.74	11.73	11.70	-	13.35	13.34	13.32	-	15.10	15.09	15.06	-	17.05	17.03	17.01	-	19.33	19.32	19.30	-					
		Hi PR	264	265	267	-	305	306	308	-	348	349	351	-	394	395	397	-	444	445	447	-	497	498	500	-					
	1300	Lo PR	127	129	132	-	135	136	139	-	141	143	146	-	147	148	151	-	152	154	157	-	159	161	164	-					
		MBh	42.6	43.2	44.5	46.5	42.3	42.9	44.1	46.1	41.1	41.7	43.0	45.0	39.2	39.8	41.1	43.1	36.9	37.5	38.8	40.7	34.7	35.3	36.6	38.6					
		S/T	0.71	0.63	0.50	0.36	0.71	0.64	0.50	0.36	1.00	0.66	0.53	0.39	1.00	0.68	0.55	0.41	1.00	0.70	0.57	0.43	1.00	1.00	0.62	0.48					
		ΔT	24.92	23.03	19.50	15.84	24.87	22.98	19.45	15.78	25.14	23.24	19.71	16.05	24.85	22.96	19.43	15.77	24.60	22.71	19.17	15.51	25.78	23.89	20.36	16.70					
		KW	2.66	2.66	2.65	2.68	2.99	2.99	2.98	3.01	3.36	3.36	3.36	3.38	3.76	3.76	3.76	3.78	4.21	4.21	4.20	4.23	4.74	4.74	4.73	4.76					
1500	Amps	10.12	10.10	10.08	10.19	11.56	11.55	11.52	11.63	13.17	13.16	13.14	13.25	14.92	14.90	14.88	14.99	16.87	16.85	16.83	16.94	19.15	19.14	19.12	19.23						
	Hi PR	259	260	262	267	300	301	303	308	343	344	346	350	389	390	392	397	439	440	442	446	492	493	495	500						
	Lo PR	123	124	127	132	130	132	135	140	137	138	141	146	142	144	147	152	148	149	152	157	154	156	159	164						
	MBh	43.3	43.9	45.2	47.1	42.9	43.5	44.8	46.8	41.8	42.4	43.7	45.6	39.9	40.5	41.8	43.7	37.6	38.2	39.4	41.4	35.4	36.0	37.3	39.2						
	S/T	0.78	0.71	0.58	0.43	0.79	0.72	0.58	0.44	1.00	0.74	0.61	0.47	1.00	0.76	0.63	0.48	1.00	0.78	0.65	0.51	1.00	1.00	0.70	0.56						
1300	ΔT	23.48	21.59	18.05	14.39	23.43	21.53	18.00	14.34	23.69	21.80	18.27	14.61	23.41	21.52	17.98	14.32	23.15	21.26	17.73	14.07	24.34	22.45	18.91	15.25						
	KW	2.68	2.68	2.67	2.70	3.01	3.01	3.01	3.03	3.39	3.38	3.38	3.40	3.79	3.78	3.78	3.80	4.23	4.23	4.23	4.25	4.76	4.76	4.75	4.78						
	Amps	10.21	10.20	10.17	10.28	11.65	11.64	11.62	11.73	13.27	13.25	13.23	13.34	15.01	15.00	14.97	15.09	16.96	16.95	16.92	17.03	19.25	19.24	19.21	19.32						
	Hi PR	262	263	265	269	303	304	306	310	346	347	349	353	392	393	395	399	442	443	445	449	495	496	498	502						
	Lo PR	125	126	129	135	132	134	137	142	139	140	143	149	144	146	149	154	150	151	154	160	157	158	161	166						
1500	MBh	44.2	44.8	46.0	48.0	43.8	44.4	45.7	47.6	42.7	43.3	44.5	46.5	40.7	41.4	42.6	44.6	38.4	39.0	40.3	42.2	36.3	36.9	38.1	40.1						
	S/T	0.82	0.75	0.61	0.47	1.00	0.75	0.62	0.48	1.00	0.78	0.64	0.50	1.00	0.80	0.66	0.52	1.00	0.82	0.69	0.54	1.00	1.00	0.74	0.59						
	ΔT	22.31	20.42	16.89	13.23	22.26	20.37	16.83	13.17	22.53	20.63	17.10	13.44	22.24	20.35	16.82	13.15	21.99	20.10	16.56	12.90	23.17	21.28	17.75	14.09						
	KW	2.70	2.70	2.69	2.72	3.03	3.03	3.02	3.05	3.40	3.40	3.39	3.42	3.80	3.80	3.80	3.82	4.25	4.25	4.24	4.24	4.78	4.78	4.77	4.80						
	Amps	10.29	10.27	10.25	10.36	11.73	11.72	11.69	11.80	13.34	13.33	13.31	13.42	15.09	15.08	15.05	15.16	17.04	17.02	17.00	17.11	19.32	19.31	19.29	19.40						
Hi PR	265	266	268	272	305	307	308	313	348	350	351	356	395	396	398	402	444	446	447	452	498	499	500	505							
Lo PR	127	129	132	137	135	136	139	145	141	143	146	151	147	148	151	157	152	154	157	162	159	161	164	169							

IDB = Entering Indoor Dry Bulb Temperature
 High and low pressures are measured at the liquid and suction access fittings.
 Design Subcooling: 8-12 °F @ the liquid access fitting connection AHRI 95 test conditions. Design Superheat 8-12°F @ the compressor suction access fitting connection.
 Shaded area reflects AHRI (TVA) conditions.
 Amps: Unit amps (comp.+ evaporator + condenser fan motors)
 KW = Total system power

IDB	AIRFLOW	OUTDOOR AMBIENT TEMPERATURE												105												115											
		65				75				85				95				105				115															
		59	63	67	71	59	63	67	71	59	63	67	71	59	63	67	71	59	63	67	71	59	63	67	71												
	MBh	42.86	43.46	44.74	46.69	42.48	43.08	44.36	46.31	41.36	41.97	43.24	45.19	39.44	40.05	41.32	43.27	37.10	37.70	38.98	40.93	34.95	35.56	36.83	38.78												
	S/T	1.00	0.76	0.62	0.48	1.00	0.76	0.63	0.49	1.00	0.79	0.65	0.51	1.00	0.81	0.67	0.53	1.00	1.00	0.69	0.55	1.00	1.00	0.74	0.60												
	ΔT	29.11	27.22	23.69	20.03	29.06	27.17	23.63	19.97	29.33	27.43	23.90	20.24	29.04	27.15	23.61	19.95	28.79	26.90	23.36	19.70	29.97	28.08	24.55	20.89												
	KW	2.66	2.66	2.65	2.68	2.99	2.99	2.99	3.01	3.37	3.36	3.36	3.38	3.77	3.76	3.76	3.78	4.21	4.21	4.21	4.23	4.74	4.74	4.73	4.76												
	Amps	10.12	10.11	10.09	10.20	11.57	11.56	11.53	11.64	13.18	13.17	13.14	13.25	14.92	14.91	14.89	15.00	16.87	16.86	16.84	16.95	19.16	19.15	19.12	19.23												
	Hi PR	259.65	260.78	262.60	267.13	300.60	301.72	303.55	308.07	343.49	344.62	346.44	350.97	389.68	390.81	392.63	397.16	439.49	440.61	442.44	446.96	492.63	493.76	495.58	500.10												
	Lo PR	123.10	124.61	127.74	132.98	130.57	132.09	135.22	140.46	137.12	138.64	141.77	147.01	142.66	144.18	147.31	152.55	148.10	149.62	152.75	157.98	154.90	156.42	159.55	164.79												
	MBh	43.54	44.14	45.42	47.37	43.16	43.76	45.04	46.99	42.04	42.64	43.92	45.87	40.12	40.72	42.00	43.95	37.77	38.38	39.65	41.60	35.63	36.24	37.51	39.46												
	S/T	1.00	0.83	0.70	0.56	1.00	0.84	0.71	0.56	1.00	0.86	0.73	0.59	1.00	1.00	0.75	0.61	1.00	1.00	0.77	0.63	1.00	1.00	0.82	0.68												
	ΔT	27.67	25.78	22.24	18.58	27.62	25.72	22.19	18.53	27.88	25.99	22.46	18.80	27.60	25.70	22.17	18.51	27.34	25.45	21.92	18.26	28.53	26.64	23.10	19.44												
	KW	2.68	2.68	2.68	2.70	3.02	3.01	3.01	3.03	3.39	3.38	3.38	3.40	3.79	3.79	3.78	3.81	4.24	4.23	4.23	4.25	4.76	4.76	4.75	4.78												
	Amps	10.22	10.21	10.18	10.29	11.66	11.65	11.63	11.74	13.27	13.26	13.24	13.35	15.02	15.01	14.98	15.09	16.97	16.96	16.93	17.04	19.25	19.24	19.22	19.33												
	Hi PR	262.39	263.52	265.34	269.87	303.34	304.46	306.29	310.81	346.23	347.36	349.18	353.71	392.42	393.55	395.37	399.90	442.23	443.35	445.18	449.70	495.37	496.50	498.32	502.84												
	Lo PR	125.30	126.82	129.95	135.19	132.78	134.30	137.43	142.67	139.33	140.85	143.98	149.22	144.87	146.39	149.52	154.75	150.31	151.83	154.96	160.19	157.11	158.63	161.76	167.00												
	MBh	44.39	44.99	46.27	48.22	44.00	44.61	45.88	47.83	42.89	43.49	44.77	46.72	40.97	41.57	42.85	44.80	38.62	39.23	40.50	42.45	36.48	37.08	38.36	40.31												
	S/T	1.00	0.87	0.74	0.60	1.00	0.88	0.74	0.60	1.00	0.90	0.77	0.63	1.00	1.00	0.79	0.65	1.00	1.00	0.81	0.67	1.00	1.00	0.86	0.72												
	ΔT	26.50	24.61	21.08	17.41	26.45	24.56	21.02	17.36	26.72	24.82	21.29	17.63	26.43	24.54	21.00	17.34	26.18	24.28	20.75	17.09	27.36	25.47	21.94	18.28												
	KW	2.70	2.70	2.69	2.72	3.03	3.03	3.03	3.05	3.40	3.40	3.40	3.42	3.81	3.80	3.80	3.82	4.25	4.25	4.25	4.27	4.78	4.78	4.77	4.80												
	Amps	10.29	10.28	10.26	10.37	11.74	11.73	11.70	11.81	13.35	13.34	13.31	13.42	15.09	15.08	15.06	15.17	17.04	17.03	17.01	17.12	19.33	19.32	19.29	19.41												
	Hi PR	265.03	266.15	267.98	272.50	305.98	307.10	308.93	313.45	348.87	350.00	351.82	356.34	395.06	396.19	398.01	402.53	444.86	445.99	447.81	452.34	498.01	499.13	500.96	505.48												
	Lo PR	127.80	129.32	132.45	137.69	135.28	136.80	139.93	145.17	141.83	143.35	146.48	151.72	147.37	148.89	152.02	157.26	152.81	154.33	157.46	162.69	159.61	161.13	164.26	169.50												

	MBh	43.6	44.2	45.5	47.4	43.2	43.8	45.1	47.0	42.1	42.7	44.0	45.9	40.2	40.8	42.0	44.0	37.8	38.4	39.7	41.6	35.7	36.3	37.6	39.5
	S/T	1.00	0.86	0.72	0.58	1.00	0.86	0.73	0.59	1.00	1.00	0.75	0.61	1.00	1.00	0.77	0.63	1.00	1.00	0.79	0.65	1.00	1.00	0.80	0.70
	ΔT	32.83	30.93	27.40	23.74	32.77	30.88	27.35	23.69	33.04	31.15	27.62	23.95	32.76	30.86	27.33	23.67	32.50	30.61	27.08	23.42	33.69	31.79	28.26	24.60
	KW	2.67	2.67	2.66	2.69	3.00	3.00	2.99	3.02	3.37	3.37	3.36	3.39	3.77	3.77	3.76	3.79	4.22	4.22	4.21	4.24	4.75	4.74	4.74	4.76
	Amps	10.15	10.14	10.11	10.22	11.59	11.58	11.56	11.67	13.21	13.20	13.17	13.28	14.95	14.94	14.92	15.03	16.90	16.89	16.86	16.98	19.19	19.18	19.15	19.26
	Hi PR	261	262	264	268	302	303	305	309	345	346	348	352	391	392	394	398	441	442	444	448	494	495	497	501
	Lo PR	125	126	130	135	132	134	137	142	139	140	144	149	145	146	149	154	150	151	155	160	157	158	161	167
	MBh	44.3	44.9	46.1	48.1	43.9	44.5	45.8	47.7	42.8	43.4	44.6	46.6	40.8	41.4	42.7	44.7	38.5	39.1	40.4	42.3	36.4	37.0	38.2	40.2
	S/T	1.00	0.93	0.80	0.66	1.00	1.00	0.81	0.66	1.00	1.00	0.83	0.69	1.00	1.00	0.85	0.71	1.00	1.00	0.87	0.73	1.00	1.00	1.00	0.78
	ΔT	31.38	29.49	25.96	22.30	31.33	29.44	25.91	22.25	31.60	29.70	26.17	22.51	31.31	29.42	25.89	22.23	31.06	29.17	25.63	21.97	32.24	30.35	26.82	23.16
	KW	2.69	2.69	2.68	2.71	3.02	3.02	3.01	3.04	3.39	3.39	3.39	3.41	3.79	3.79	3.79	3.81	4.24	4.24	4.24	4.26	4.77	4.77	4.76	4.79
	Amps	10.25	10.23	10.21	10.32	11.69	11.68	11.65	11.76	13.30	13.29	13.27	13.38	15.05	15.03	15.01	15.12	17.00	16.98	16.96	17.07	19.28	19.27	19.25	19.36
	Hi PR	264	265	267	271	305	306	308	312	347	349	350	355	394	395	397	401	443	445	446	451	497	498	500	504
	Lo PR	127	129	132	137	135	136	139	145	141	143	146	151	147	148	151	157	152	154	157	162	159	160	164	169
	MBh	45.1	45.7	47.0	48.9	44.7	45.3	46.6	48.6	43.6	44.2	45.5	47.4	41.7	42.3	43.6	45.5	39.3	39.9	41.2	43.2	37.2	37.8	39.1	41.0
	S/T	1.00	0.97	0.84	0.70	1.00	1.00	0.84	0.70	1.00	1.00	0.87	0.73	1.00	1.00	0.89	0.75	1.00	1.00	0.91	0.77	1.00	1.00	1.00	0.82
	ΔT	30.22	28.32	24.79	21.13	30.16	28.27	24.74	21.08	30.43	28.54	25.00	21.34	30.14	28.25	24.72	21.06	29.89	28.00	24.47	20.81	31.08	29.18	25.65	21.99
	KW	2.71	2.71	2.70	2.73	3.04	3.04	3.03	3.06	3.41	3.41	3.40	3.43	3.81	3.81	3.80	3.83	4.26	4.26	4.26	4.28	4.79	4.78	4.78	4.80
	Amps	10.32	10.31	10.29	10.40	11.77	11.75	11.73	11.84	13.38	13.37	13.34	13.45	15.12	15.11	15.09	15.20	17.07	17.06	17.04	17.15	19.36	19.35	19.32	19.43
	Hi PR	266	267	269	274	307	308	310	315	350	351	353	358	396	397	399	404	446	447	449	454	499	500	502	507
	Lo PR	130	131	134	140	137	139	142	147	144	145	148	154	149	151	154	159	155	156	159	165	161	163	166	171

IDB = Entering Indoor Dry Bulb Temperature
 High and low pressures are measured at the liquid and suction access fittings.
 Design Subcooling, 8-12 °F @ the liquid access fitting connection AHRI 95 test conditions. Design Superheat 8-12°F @ the compressor suction access fitting connection.
 Shaded area reflects AHRI conditions.
 Amps: Unit amps (comp.+ evaporator + condenser fan motors)
 KW = Total system power

IDB	AIRFLOW	OUTDOOR AMBIENT TEMPERATURE																							
		65				75				85				95				105				115			
		59	63	67	71	59	63	67	71	59	63	67	71	59	63	67	71	59	63	67	71	59	63	67	71
70	MBh	30.6	31.1	32.0	-	30.4	30.8	31.7	-	29.6	30.0	30.9	-	28.2	28.6	29.5	-	26.5	26.9	27.8	-	25.0	25.4	26.3	-
	S/T	0.60	0.52	0.38	-	0.60	0.52	0.39	-	0.63	0.55	0.41	-	1.00	0.57	0.43	-	1.00	0.59	0.45	-	1.00	0.64	0.51	-
	ΔT	20.04	18.21	14.80	-	19.99	18.16	14.75	-	20.24	18.42	15.01	-	19.97	18.14	14.73	-	19.72	17.90	14.49	-	20.87	19.04	15.63	-
	KW	1.67	1.67	1.67	-	1.88	1.88	1.88	-	2.12	2.12	2.11	-	2.37	2.37	2.36	-	2.65	2.65	2.65	-	2.98	2.98	2.98	-
	Amps	6.37	6.36	6.35	-	7.28	7.27	7.25	-	8.29	8.28	8.27	-	9.39	9.38	9.37	-	10.61	10.61	10.59	-	12.05	12.05	12.03	-
	Hi PR	248	249	250	-	287	288	290	-	328	329	331	-	372	373	375	-	419	421	422	-	470	471	473	-
	Lo PR	126	128	131	-	134	135	138	-	140	142	145	-	146	148	151	-	152	153	156	-	159	160	163	-
	MBh	31.1	31.6	32.5	-	30.9	31.3	32.2	-	30.0	30.5	31.4	-	28.7	29.1	30.0	-	27.0	27.4	28.3	-	25.4	25.9	26.8	-
	S/T	0.67	0.60	0.46	-	0.68	0.60	0.47	-	0.71	0.63	0.49	-	1.00	0.65	0.51	-	1.00	0.67	0.53	-	1.00	0.72	0.59	-
	ΔT	18.64	16.82	13.41	-	18.59	16.77	13.36	-	18.85	17.02	13.61	-	18.57	16.75	13.34	-	18.33	16.50	13.09	-	19.47	17.65	14.24	-
KW	1.69	1.69	1.68	-	1.90	1.90	1.89	-	2.13	2.13	2.13	-	2.38	2.38	2.38	-	2.67	2.66	2.66	-	3.00	2.99	2.99	-	
Amps	6.43	6.42	6.41	-	7.34	7.33	7.31	-	8.35	8.34	8.33	-	9.45	9.44	9.43	-	10.67	10.67	10.65	-	12.11	12.11	12.09	-	
Hi PR	250	251	253	-	289	290	292	-	330	331	333	-	374	376	377	-	422	423	425	-	473	474	476	-	
Lo PR	128	130	133	-	136	137	141	-	143	144	147	-	148	150	153	-	154	155	159	-	161	162	166	-	
MBh	31.7	32.2	33.1	-	31.5	31.9	32.8	-	30.7	31.1	32.0	-	29.3	29.7	30.6	-	27.6	28.0	28.9	-	26.1	26.5	27.4	-	
S/T	0.71	0.64	0.50	-	0.72	0.64	0.51	-	1.00	0.67	0.53	-	1.00	0.69	0.55	-	1.00	0.71	0.57	-	1.00	1.00	0.63	-	
ΔT	17.52	15.69	12.28	-	17.47	15.64	12.23	-	17.72	15.90	12.49	-	17.45	15.62	12.21	-	17.20	15.38	11.97	-	18.35	16.52	13.11	-	
KW	1.70	1.70	1.69	-	1.91	1.91	1.90	-	2.14	2.14	2.14	-	2.39	2.39	2.39	-	2.68	2.67	2.67	-	3.01	3.01	3.00	-	
Amps	6.48	6.47	6.45	-	7.38	7.38	7.36	-	8.40	8.39	8.38	-	9.50	9.49	9.47	-	10.72	10.71	10.70	-	12.16	12.15	12.14	-	
Hi PR	253	254	256	-	292	293	295	-	333	334	336	-	377	378	380	-	425	426	427	-	475	476	478	-	
Lo PR	131	132	136	-	138	140	143	-	145	147	150	-	151	152	156	-	156	158	161	-	163	165	168	-	

75	MBh	30.7	31.1	32.0	33.4	30.4	30.8	31.7	33.1	29.6	30.0	30.9	32.3	28.2	28.6	29.6	31.0	26.5	26.9	27.9	29.3	25.0	25.4	26.3	27.7
	S/T	0.81	0.73	0.59	0.45	1.00	0.73	0.60	0.45	1.00	0.76	0.62	0.48	1.00	0.78	0.64	0.50	1.00	1.00	0.66	0.52	1.00	1.00	0.72	0.57
	ΔT	24.05	22.22	18.81	15.28	24.00	22.17	18.76	15.23	24.26	22.43	19.02	15.49	23.98	22.16	18.75	15.21	23.74	21.91	18.50	14.97	24.88	23.05	19.65	16.11
	KW	1.67	1.67	1.67	1.68	1.88	1.88	1.88	1.89	2.12	2.11	2.11	2.13	2.37	2.37	2.36	2.38	2.65	2.65	2.64	2.66	2.98	2.98	2.98	2.99
	Amps	6.36	6.36	6.34	6.41	7.27	7.26	7.25	7.32	8.28	8.28	8.26	8.33	9.38	9.38	9.36	9.43	10.61	10.60	10.59	10.66	12.05	12.04	12.02	12.09
	Hi PR	248	249	251	255	287	288	290	294	328	329	331	335	372	373	375	379	420	421	423	427	470	472	473	478
	Lo PR	126	128	131	136	134	135	138	144	140	142	145	151	146	148	151	156	152	153	156	162	159	160	163	169
	MBh	31.1	31.6	32.5	33.9	30.9	31.3	32.2	33.6	30.1	30.5	31.4	32.8	28.7	29.1	30.0	31.4	27.0	27.4	28.4	29.8	25.5	25.9	26.8	28.2
	S/T	0.81	0.73	0.59	0.45	1.00	0.73	0.60	0.45	1.00	0.76	0.62	0.48	1.00	0.78	0.64	0.50	1.00	1.00	0.66	0.52	1.00	1.00	0.72	0.57
	ΔT	22.66	20.83	17.42	13.89	22.61	20.78	17.37	13.84	22.86	21.04	17.63	14.10	22.59	20.76	17.35	13.82	22.34	20.52	17.11	13.58	23.49	21.66	18.25	14.72
KW	1.69	1.69	1.68	1.70	1.90	1.89	1.89	1.91	2.13	2.13	2.12	2.14	2.38	2.38	2.38	2.39	2.66	2.66	2.66	2.67	2.99	2.99	2.99	3.01	
Amps	6.42	6.41	6.40	6.47	7.33	7.32	7.31	7.38	8.34	8.34	8.32	8.39	9.44	9.43	9.42	9.49	10.67	10.66	10.65	10.71	12.11	12.10	12.08	12.15	
Hi PR	250	251	253	258	290	291	292	297	331	332	333	338	375	376	378	382	422	423	425	429	473	474	476	480	
Lo PR	128	130	133	138	136	138	141	146	143	144	147	153	148	150	153	159	154	156	159	164	161	163	166	171	
MBh	31.8	32.2	33.1	34.5	31.5	31.9	32.8	34.2	30.7	31.1	32.0	33.4	29.3	29.7	30.6	32.1	27.6	28.0	29.0	30.4	26.1	26.5	27.4	28.8	
S/T	0.84	0.77	0.63	0.49	1.00	0.77	0.64	0.49	1.00	0.80	0.66	0.52	1.00	0.82	0.68	0.54	1.00	1.00	0.70	0.56	1.00	1.00	0.76	0.61	
ΔT	21.53	19.70	16.30	12.76	21.48	19.65	16.25	12.71	21.74	19.91	16.50	12.97	21.46	19.64	16.23	12.69	21.22	19.39	15.98	12.45	22.36	20.54	17.13	13.59	
KW	1.70	1.70	1.69	1.71	1.91	1.91	1.90	1.92	2.14	2.14	2.14	2.15	2.39	2.39	2.39	2.40	2.67	2.67	2.67	2.69	3.01	3.00	3.00	3.02	
Amps	6.47	6.46	6.45	6.52	7.38	7.37	7.36	7.43	8.39	8.39	8.37	8.44	9.49	9.48	9.47	9.54	10.72	10.71	10.69	10.76	12.15	12.15	12.13	12.20	
Hi PR	253	254	256	260	292	293	295	299	333	334	336	340	377	378	380	384	425	426	428	432	476	477	478	483	
Lo PR	131	132	136	141	139	140	143	149	145	147	150	155	151	153	156	161	157	158	161	167	164	165	168	174	

IDB = Entering Indoor Dry Bulb Temperature
 High and low pressures are measured at the liquid and suction access fittings.
 Design Subcooling: 8-12 °F @ the liquid access fitting connection AHRI 95 test conditions. Design Superheat 8-12°F @ the compressor suction access fitting connection.
 Shaded area reflects AHRI (TVA) conditions.
 Amps: Unit amps (comp.+ evaporator + condenser fan motors)
 KW = Total system power

IDB	AIRFLOW	OUTDOOR AMBIENT TEMPERATURE												105												115											
		65				75				85				95				105				115															
		59	63	67	71	59	63	67	71	59	63	67	71	59	63	67	71	59	63	67	71	59	63	67	71												
80	MBh	30.8	31.3	32.2	33.6	30.5	31.0	31.9	33.3	29.7	30.2	31.1	32.5	28.4	28.8	29.7	31.1	26.7	27.1	28.0	29.4	25.1	25.6	26.5	27.9												
	S/T	1.00	0.78	0.64	0.49	1.00	0.78	0.65	0.50	1.00	0.81	0.67	0.53	1.00	1.00	0.69	0.55	1.00	1.00	0.71	0.57	1.00	1.00	0.76	0.62												
	ΔT	28.09	26.27	22.86	19.32	28.04	26.22	22.81	19.27	28.30	26.47	23.06	19.53	28.02	26.20	22.79	19.26	27.78	25.95	22.54	19.01	28.92	27.10	23.69	20.16												
	KW	1.67	1.67	1.67	1.69	1.88	1.88	1.88	1.89	2.12	2.12	2.11	2.13	2.37	2.37	2.36	2.38	2.65	2.65	2.65	2.66	2.98	2.98	2.98	2.99												
	Amps	6.37	6.36	6.34	6.41	7.28	7.27	7.25	7.32	8.29	8.28	8.27	8.34	9.39	9.38	9.36	9.43	10.61	10.61	10.59	10.66	12.05	12.04	12.03	12.10												
	Hi PR	248	249	251	255	287	288	290	295	328	329	331	336	373	374	375	380	420	421	423	427	471	472	474	478												
	Lo PR	127	128	131	137	134	136	139	144	141	143	146	151	147	148	151	157	152	154	157	162	159	161	164	169												
	MBh	31.3	31.7	32.7	34.1	31.0	31.5	32.4	33.8	30.2	30.7	31.6	33.0	28.8	29.3	30.2	31.6	27.2	27.6	28.5	29.9	25.6	26.1	27.0	28.4												
	S/T	1.00	0.86	0.72	0.57	1.00	0.86	0.72	0.58	1.00	0.89	0.75	0.60	1.00	1.00	0.77	0.62	1.00	1.00	0.79	0.65	1.00	1.00	0.84	0.70												
	ΔT	26.70	24.87	21.46	17.93	26.65	24.82	21.41	17.88	26.91	25.08	21.67	18.14	26.63	24.80	21.40	17.86	26.39	24.56	21.15	17.62	27.53	25.70	22.29	18.76												
KW	1.69	1.69	1.68	1.70	1.90	1.90	1.89	1.91	2.13	2.13	2.13	2.14	2.38	2.38	2.38	2.39	2.66	2.66	2.66	2.68	3.00	2.99	2.99	3.01													
Amps	6.43	6.42	6.40	6.47	7.34	7.33	7.31	7.38	8.35	8.34	8.33	8.40	9.45	9.44	9.42	9.49	10.67	10.67	10.65	10.72	12.11	12.10	12.09	12.16													
Hi PR	251	252	254	258	290	291	293	297	331	332	334	338	375	376	378	382	423	424	426	430	474	475	476	481													
Lo PR	129	130	134	139	137	138	141	147	143	145	148	153	149	150	154	159	155	156	159	162	162	163	166	172													
1050	MBh	31.9	32.3	33.3	34.7	31.6	32.1	33.0	34.4	30.8	31.3	32.2	33.6	29.5	29.9	30.8	32.2	27.8	28.2	29.1	30.5	26.2	26.7	27.6	29.0												
	S/T	1.00	0.89	0.76	0.61	1.00	0.90	0.76	0.62	1.00	1.00	0.79	0.64	1.00	1.00	0.81	0.66	1.00	1.00	0.83	0.69	1.00	1.00	0.74													
	ΔT	25.57	23.75	20.34	16.81	25.52	23.70	20.29	16.76	25.78	23.95	20.54	17.01	25.50	23.68	20.27	16.74	25.26	23.43	20.03	16.49	26.40	24.58	21.17	17.64												
	KW	1.70	1.70	1.69	1.71	1.91	1.91	1.90	1.92	2.14	2.14	2.14	2.15	2.39	2.39	2.39	2.40	2.68	2.67	2.67	2.69	3.01	3.01	3.01	3.02												
	Amps	6.47	6.47	6.45	6.52	7.38	7.38	7.36	7.43	8.40	8.39	8.37	8.44	9.49	9.49	9.47	9.54	10.72	10.71	10.70	10.77	12.16	12.15	12.14	12.21												
	Hi PR	253	254	256	261	293	294	295	300	334	335	336	341	378	379	380	385	425	426	428	432	476	477	479	483												
	Lo PR	131	133	136	142	139	141	144	149	146	147	151	156	151	153	156	162	157	159	162	167	164	166	169	174												
	770	MBh	31.3	31.8	32.7	34.1	31.1	31.5	32.4	33.8	30.3	30.7	31.6	33.0	28.9	29.3	30.2	31.6	27.2	27.6	28.5	29.9	25.6	26.1	27.0	28.4											
		S/T	1.00	0.88	0.74	0.60	1.00	1.00	0.75	0.60	1.00	1.00	0.77	0.63	1.00	1.00	0.79	0.65	1.00	1.00	0.83	0.69	1.00	1.00	0.74												
		ΔT	31.68	29.85	26.44	22.91	31.63	29.80	26.39	22.86	31.88	30.06	26.65	23.12	31.61	29.78	26.37	22.84	31.37	29.54	26.13	22.60	32.51	30.68	27.27	23.74											
KW		1.68	1.68	1.67	1.69	1.89	1.89	1.88	1.90	2.12	2.12	2.12	2.13	2.37	2.37	2.37	2.38	2.66	2.65	2.65	2.67	2.99	2.98	2.98	3.00												
Amps		6.38	6.38	6.36	6.43	7.29	7.29	7.27	7.34	8.31	8.30	8.28	8.35	9.40	9.40	9.38	9.45	10.63	10.62	10.61	10.68	12.07	12.06	12.05	12.12												
Hi PR		249	250	252	257	289	290	291	296	330	331	332	337	374	375	377	381	421	422	424	428	472	473	475	479												
Lo PR		128	130	133	139	136	138	141	146	143	144	148	153	149	150	153	159	154	156	159	164	161	163	166	171												
85		MBh	31.8	32.3	33.2	34.6	31.5	32.0	32.9	34.3	30.7	31.2	32.1	33.5	29.4	29.8	30.7	32.1	27.7	28.1	29.0	30.4	26.1	26.6	27.5	28.9											
		S/T	1.00	0.96	0.82	0.68	1.00	1.00	0.83	0.68	1.00	1.00	0.85	0.71	1.00	1.00	0.87	0.73	1.00	1.00	0.83	0.69	1.00	1.00	0.80												
		ΔT	30.28	28.46	25.05	21.52	30.23	28.41	25.00	21.47	30.49	28.67	25.26	21.72	30.22	28.39	24.98	21.45	29.97	28.15	24.74	21.20	31.12	29.29	25.88	22.35											
	KW	1.69	1.69	1.69	1.70	1.90	1.90	1.90	1.91	2.13	2.13	2.13	2.15	2.39	2.39	2.38	2.40	2.67	2.67	2.66	2.68	3.00	3.00	2.99	3.01												
	Amps	6.44	6.44	6.42	6.49	7.35	7.35	7.33	7.40	8.37	8.36	8.34	8.41	9.46	9.46	9.44	9.51	10.69	10.68	10.67	10.74	12.13	12.12	12.11	12.18												
	Hi PR	252	253	255	259	291	292	294	298	332	333	335	339	376	377	379	383	424	425	427	431	475	476	478	482												
	Lo PR	131	132	135	141	138	140	143	149	145	147	150	155	151	152	156	161	156	158	161	167	163	165	168	174												
	1050	MBh	32.4	32.9	33.8	35.2	32.2	32.6	33.5	34.9	31.4	31.8	32.7	34.1	30.0	30.4	31.3	32.7	28.3	28.7	29.6	31.0	26.7	27.2	28.1	29.5											
		S/T	1.00	1.00	0.86	0.71	1.00	1.00	0.87	0.72	1.00	1.00	0.89	0.75	1.00	1.00	0.91	0.77	1.00	1.00	0.83	0.69	1.00	1.00	0.84												
		ΔT	29.16	27.33	23.92	20.39	29.11	27.28	23.87	20.34	29.37	27.54	24.13	20.60	29.09	27.26	23.85	20.32	28.85	27.02	23.61	20.08	29.99	28.16	24.75	21.22											
KW		1.70	1.70	1.70	1.71	1.91	1.91	1.91	1.92	2.15	2.14	2.14	2.16	2.40	2.40	2.39	2.41	2.68	2.68	2.67	2.69	3.01	3.01	3.01	3.02												
Amps		6.49	6.48	6.47	6.54	7.40	7.39	7.38	7.45	8.41	8.41	8.39	8.46	9.51	9.50	9.49	9.56	10.74	10.73	10.72	10.78	12.18	12.17	12.15	12.22												
Hi PR		255	256	257	262	294	295	296	301	335	336	338	342	379	380	382	386	426	428	429	434	477	478	480	484												
Lo PR		133	135	138	143	141	143	146	151	148	149	152	158	153	155	158	164	159	161	164	169	166	168	171	176												

IDB = Entering Indoor Dry Bulb Temperature

High and low pressures are measured at the liquid and suction access fittings.

Design Subcooling, 8-12 °F @ the liquid access fitting connection AHRI 95 test conditions. Design Superheat 8-12°F @ the compressor suction access fitting connection.

Shaded area reflects AHRI conditions.

Amps: Unit amps (comp.+ evaporator + condenser fan motors)

KW = Total system power

IDB	AIRFLOW	OUTDOOR AMBIENT TEMPERATURE												105												115															
		65						75						85						95						105						115									
		59	63	67	71	59	63	67	71	59	63	67	71	59	63	67	71	59	63	67	71	59	63	67	71	59	63	67	71	59	63	67	71								
70	MBh	46.80	47.46	48.86	-	46.38	47.04	48.44	-	45.16	45.82	47.22	-	43.06	43.72	45.12	-	40.49	41.15	42.55	-	38.14	38.80	40.20	-	40.49	41.15	42.55	-	38.14	38.80	40.20	-	40.49	41.15	42.55	-	38.14	38.80	40.20	-
	S/T	0.62	0.54	0.40	-	0.63	0.55	0.41	-	0.65	0.57	0.44	-	0.67	0.59	0.46	-	1.00	0.62	0.48	-	1.00	0.67	0.53	-	1.00	0.62	0.48	-	1.00	0.67	0.53	-	1.00	0.62	0.48	-	1.00	0.67	0.53	-
	ΔT	19.52	17.71	14.34	-	19.47	17.66	14.29	-	19.72	17.92	14.55	-	19.45	17.64	14.27	-	19.21	17.40	14.03	-	20.34	18.53	15.16	-	19.21	17.40	14.03	-	20.34	18.53	15.16	-	19.21	17.40	14.03	-	20.34	18.53	15.16	-
	KW	2.95	2.95	2.94	-	3.31	3.30	3.30	-	3.70	3.70	3.69	-	4.13	4.13	4.12	-	4.61	4.61	4.60	-	5.17	5.17	5.16	-	4.61	4.61	4.60	-	5.17	5.17	5.16	-	4.61	4.61	4.60	-	5.17	5.17	5.16	-
	Amps	10.75	10.74	10.71	-	12.29	12.28	12.25	-	14.01	14.00	13.98	-	15.88	15.87	15.84	-	17.96	17.95	17.92	-	20.41	20.39	20.37	-	17.96	17.95	17.92	-	20.41	20.39	20.37	-	17.96	17.95	17.92	-	20.41	20.39	20.37	-
	Hi PR	271.97	273.15	275.06	-	314.89	316.07	317.98	-	359.85	361.03	362.94	-	408.26	409.44	411.35	-	460.46	461.64	463.55	-	516.16	517.34	519.25	-	460.46	461.64	463.55	-	516.16	517.34	519.25	-	460.46	461.64	463.55	-	516.16	517.34	519.25	-
	Lo PR	122.51	124.02	127.14	-	129.96	131.47	134.59	-	136.49	138.00	141.12	-	142.01	143.52	146.64	-	147.42	148.94	152.06	-	154.21	155.72	158.84	-	147.42	148.94	152.06	-	154.21	155.72	158.84	-	147.42	148.94	152.06	-	154.21	155.72	158.84	-
	MBh	47.41	48.08	49.47	-	47.00	47.66	49.05	-	45.77	46.43	47.83	-	43.67	44.33	45.73	-	41.10	41.76	43.16	-	38.76	39.42	40.81	-	41.10	41.76	43.16	-	38.76	39.42	40.81	-	41.10	41.76	43.16	-	38.76	39.42	40.81	-
	S/T	0.68	0.60	0.47	-	0.69	0.61	0.47	-	0.71	0.64	0.50	-	1.00	0.66	0.52	-	1.00	0.68	0.54	-	1.00	0.73	0.59	-	1.00	0.68	0.54	-	1.00	0.73	0.59	-	1.00	0.68	0.54	-	1.00	0.73	0.59	-
	ΔT	18.43	16.62	13.25	-	18.38	16.57	13.20	-	18.63	16.83	13.46	-	18.36	16.55	13.18	-	18.12	16.31	12.94	-	19.25	17.44	14.07	-	18.12	16.31	12.94	-	19.25	17.44	14.07	-	18.12	16.31	12.94	-	19.25	17.44	14.07	-
KW	2.97	2.97	2.96	-	3.32	3.32	3.31	-	3.72	3.72	3.71	-	4.15	4.15	4.14	-	4.63	4.62	4.62	-	5.19	5.19	5.18	-	4.63	4.62	4.62	-	5.19	5.19	5.18	-	4.63	4.62	4.62	-	5.19	5.19	5.18	-	
Amps	10.83	10.82	10.79	-	12.37	12.36	12.33	-	14.09	14.08	14.06	-	15.96	15.95	15.92	-	18.04	18.03	18.00	-	20.49	20.47	20.45	-	18.04	18.03	18.00	-	20.49	20.47	20.45	-	18.04	18.03	18.00	-	20.49	20.47	20.45	-	
Hi PR	274.28	275.46	277.37	-	317.20	318.38	320.23	-	362.16	363.34	365.25	-	410.57	411.75	413.66	-	462.77	463.95	465.86	-	518.47	519.65	521.56	-	462.77	463.95	465.86	-	518.47	519.65	521.56	-	462.77	463.95	465.86	-	518.47	519.65	521.56	-	
Lo PR	124.31	125.82	128.94	-	131.76	133.28	136.39	-	138.29	139.80	142.92	-	143.81	145.32	148.44	-	149.23	150.74	153.86	-	158.01	159.52	162.64	-	149.23	150.74	153.86	-	158.01	159.52	162.64	-	149.23	150.74	153.86	-	158.01	159.52	162.64	-	
MBh	48.15	48.81	50.21	-	47.73	48.39	49.79	-	46.51	47.17	48.57	-	44.41	45.07	46.47	-	41.84	42.50	43.90	-	39.49	40.15	41.55	-	41.84	42.50	43.90	-	39.49	40.15	41.55	-	41.84	42.50	43.90	-	39.49	40.15	41.55	-	
S/T	0.72	0.64	0.50	-	0.72	0.65	0.51	-	0.75	0.67	0.53	-	1.00	0.69	0.55	-	1.00	0.71	0.57	-	1.00	0.77	0.63	-	1.00	0.71	0.57	-	1.00	0.77	0.63	-	1.00	0.71	0.57	-	1.00	0.77	0.63	-	
ΔT	17.51	15.70	12.33	-	17.46	15.65	12.28	-	17.71	15.91	12.54	-	17.44	15.64	12.27	-	17.20	15.40	12.03	-	18.33	16.53	13.16	-	17.20	15.40	12.03	-	18.33	16.53	13.16	-	17.20	15.40	12.03	-	18.33	16.53	13.16	-	
KW	2.98	2.98	2.98	-	3.34	3.34	3.33	-	3.74	3.73	3.73	-	4.16	4.16	4.16	-	4.64	4.64	4.63	-	5.21	5.20	5.20	-	4.64	4.64	4.63	-	5.21	5.20	5.20	-	4.64	4.64	4.63	-	5.21	5.20	5.20	-	
Amps	10.90	10.88	10.86	-	12.44	12.43	12.40	-	14.16	14.15	14.12	-	16.03	16.01	15.99	-	18.11	18.10	18.07	-	20.55	20.54	20.51	-	18.11	18.10	18.07	-	20.55	20.54	20.51	-	18.11	18.10	18.07	-	20.55	20.54	20.51	-	
Hi PR	276.52	277.70	279.61	-	319.44	320.62	322.53	-	364.40	365.58	367.49	-	412.81	413.99	415.90	-	465.01	466.19	468.10	-	520.71	521.89	523.81	-	465.01	466.19	468.10	-	520.71	521.89	523.81	-	465.01	466.19	468.10	-	520.71	521.89	523.81	-	
Lo PR	126.30	127.82	130.94	-	133.76	135.27	138.39	-	140.28	141.80	144.92	-	145.80	147.32	150.44	-	151.22	152.73	155.85	-	158.00	159.52	162.64	-	151.22	152.73	155.85	-	158.00	159.52	162.64	-	151.22	152.73	155.85	-	158.00	159.52	162.64	-	
75	MBh	46.83	47.49	48.89	51.02	46.41	47.07	48.47	50.60	45.19	45.85	47.25	49.38	43.08	43.74	45.14	47.28	40.51	41.17	42.57	44.71	38.17	38.83	40.23	42.36	40.51	41.17	42.57	44.71	38.17	38.83	40.23	42.36	40.51	41.17	42.57	44.71	38.17	38.83	40.23	42.36
	S/T	0.75	0.68	0.54	0.39	0.76	0.68	0.54	0.40	1.00	0.71	0.57	0.42	1.00	0.73	0.59	0.44	1.00	0.75	0.61	0.46	1.00	1.00	0.73	0.58	1.00	0.75	0.61	0.46	1.00	1.00	0.73	0.58	1.00	0.75	0.61	0.46	1.00	1.00	0.73	0.58
	ΔT	23.49	21.68	18.31	14.82	23.44	21.63	18.26	14.77	23.69	21.89	18.52	15.02	23.42	21.61	18.24	14.75	23.18	21.37	18.00	14.51	24.31	22.50	19.13	15.64	23.18	21.37	18.00	14.51	24.31	22.50	19.13	15.64	23.18	21.37	18.00	14.51	24.31	22.50	19.13	15.64
	KW	2.95	2.94	2.94	2.97	3.30	3.30	3.29	3.32	3.70	3.70	3.69	3.72	4.13	4.13	4.12	4.15	4.61	4.60	4.60	4.63	5.17	5.17	5.16	5.19	4.61	4.60	4.60	4.63	5.17	5.17	5.16	5.19	4.61	4.60	4.60	4.63	5.17	5.17	5.16	5.19
	Amps	10.74	10.73	10.70	10.82	12.28	12.27	12.24	12.36	14.00	13.99	13.97	14.08	15.87	15.86	15.83	15.95	17.95	17.94	17.91	18.03	20.40	20.38	20.36	20.47	17.95	17.94	17.91	18.03	20.40	20.38	20.36	20.47	17.95	17.94	17.91	18.03	20.40	20.38	20.36	20.47
	Hi PR	272.21	273.39	275.30	280.04	315.13	316.31	318.22	322.96	360.09	361.27	363.18	367.92	408.50	409.68	411.59	416.33	460.70	461.88	463.79	468.53	516.40	517.58	519.49	524.23	460.70	461.88	463.79	468.53	516.40	517.58	519.49	524.23	460.70	461.88	463.79	468.53	516.40	517.58	519.49	524.23
	Lo PR	122.54	124.05	127.17	132.39	129.99	131.50	134.62	139.84	136.52	138.03	141.15	146.37	142.04	143.55	146.67	151.89	147.45	148.97	152.09	157.30	154.24	155.75	158.87	164.09	147.45	148.97	152.09	157.30	154.24	155.75	158.87	164.09	147.45	148.97	152.09	157.30	154.24	155.75	158.87	164.09
	MBh	47.44	48.10	49.50	51.64	47.02	47.68	49.08	51.22	45.80	46.46	47.86	50.00	43.70	44.36	45.76	47.89	41.13	41.79	43.19	45.32	38.78	39.44	40.84	42.98	41.13	41.79	43.19	45.32	38.78	39.44	40.84	42.98	41.13	41.79	43.19	45.32	38.78	39.44	40.84	42.98
	S/T	0.81	0.74	0.60	0.45	0.82	0.74	0.60	0.46	1.00	0.77	0.63	0.48	1.00	0.79	0.65	0.50	1.00	0.81	0.67	0.53	1.00	1.00	0.73	0.58	1.00	0.81	0.67	0.53	1.00	1.00	0.73	0.58	1.00	0.81	0.67	0.53	1.00	1.00	0.73	0.58
	ΔT	22.40	20.59	17.22	13.73	22.35	20.54	17.17	13.68	22.60	20.80	17.43	13.93	22.33	20.52	17.15	13.66	22.09	20.28	16.91	13.42	23.22	21.41	18.04	14.55	22.09	20.28	16.91	13.42	23.22	21.41	18.04	14.55	22.09	20.28	16.91	13.42	23.22	21.41	18.04	14.55
KW	2.97																																								

IDB	AIRFLOW	OUTDOOR AMBIENT TEMPERATURE																							
		65				75				85				95											
		59	63	67	71	59	63	67	71	59	63	67	71	59	63	67	71								
70	MBh	33.6	34.1	35.1	-	33.3	33.8	34.8	-	32.5	32.9	33.9	-	31.0	31.4	32.4	-	29.1	29.6	30.6	-	27.4	27.9	28.9	-
	S/T	0.64	0.56	0.41	-	0.64	0.56	0.42	-	0.67	0.59	0.45	-	1.00	0.61	0.47	-	1.00	0.63	0.49	-	1.00	0.69	0.55	-
	ΔT	18.83	17.09	13.84	-	18.79	17.05	13.79	-	19.03	17.29	14.04	-	18.77	17.03	13.78	-	18.54	16.79	13.54	-	19.63	17.89	14.63	-
	KW	1.86	1.85	1.85	-	2.08	2.08	2.07	-	2.33	2.33	2.32	-	2.60	2.60	2.59	-	2.90	2.90	2.89	-	3.25	3.25	3.25	-
	Amps	6.76	6.75	6.74	-	7.73	7.72	7.71	-	8.81	8.81	8.79	-	9.99	9.98	9.96	-	11.30	11.29	11.27	-	12.83	12.83	12.81	-
	Hi PR	260	261	263	-	301	302	304	-	344	345	347	-	390	391	393	-	440	441	443	-	493	495	496	-
	Lo PR	126	127	131	-	134	135	138	-	140	142	145	-	146	148	151	-	152	153	156	-	159	160	163	-
	MBh	34.1	34.6	35.6	-	33.8	34.3	35.3	-	32.9	33.4	34.4	-	31.4	31.9	32.9	-	29.6	30.0	31.0	-	27.9	28.3	29.3	-
	S/T	0.70	0.62	0.48	-	0.71	0.63	0.48	-	0.73	0.65	0.51	-	1.00	0.67	0.53	-	1.00	0.70	0.55	-	1.00	0.75	0.61	-
	ΔT	17.78	16.04	12.79	-	17.73	15.99	12.74	-	17.98	16.24	12.99	-	17.72	15.97	12.72	-	17.48	15.74	12.49	-	18.57	16.83	13.58	-
KW	1.87	1.87	1.86	-	2.09	2.09	2.08	-	2.34	2.34	2.33	-	2.61	2.61	2.60	-	2.91	2.91	2.91	-	3.26	3.26	3.26	-	
Amps	6.81	6.80	6.79	-	7.78	7.77	7.76	-	8.87	8.86	8.84	-	10.04	10.03	10.01	-	11.35	11.34	11.32	-	12.89	12.88	12.86	-	
Hi PR	262	263	265	-	303	304	306	-	346	347	349	-	393	394	395	-	442	444	445	-	496	497	499	-	
Lo PR	128	129	133	-	135	137	140	-	142	144	147	-	148	149	153	-	153	155	158	-	160	162	165	-	
MBh	34.6	35.1	36.1	-	34.3	34.8	35.8	-	33.4	33.9	34.9	-	31.9	32.4	33.4	-	30.1	30.6	31.6	-	28.4	28.9	29.9	-	
S/T	0.74	0.66	0.51	-	0.74	0.66	0.52	-	1.00	0.69	0.55	-	1.00	0.71	0.57	-	1.00	0.73	0.59	-	1.00	1.00	0.64	-	
ΔT	16.90	15.15	11.90	-	16.85	15.11	11.85	-	17.09	15.35	12.10	-	16.83	15.09	11.84	-	16.60	14.86	11.60	-	17.69	15.95	12.69	-	
KW	1.88	1.88	1.87	-	2.10	2.10	2.09	-	2.35	2.35	2.34	-	2.62	2.62	2.61	-	2.92	2.92	2.91	-	3.27	3.27	3.27	-	
Amps	6.85	6.85	6.83	-	7.82	7.82	7.80	-	8.91	8.90	8.88	-	10.08	10.07	10.06	-	11.39	11.38	11.37	-	12.93	12.92	12.90	-	
Hi PR	264	265	267	-	305	307	308	-	348	349	351	-	395	396	398	-	445	446	448	-	498	499	501	-	
Lo PR	130	131	135	-	138	139	142	-	144	146	149	-	150	151	155	-	155	157	160	-	162	164	167	-	

IDB	AIRFLOW	OUTDOOR AMBIENT TEMPERATURE																							
		65				75				85				95											
		59	63	67	71	59	63	67	71	59	63	67	71	59	63	67	71								
75	MBh	33.7	34.1	35.1	36.7	33.4	33.8	34.8	36.4	32.5	33.0	34.0	35.5	31.0	31.5	32.5	34.0	29.1	29.6	30.6	32.1	27.4	27.9	28.9	30.5
	S/T	0.77	0.69	0.55	0.40	1.00	0.70	0.56	0.41	1.00	0.73	0.58	0.43	1.00	0.75	0.60	0.45	1.00	0.77	0.63	0.48	1.00	1.00	0.68	0.53
	ΔT	22.62	20.92	17.67	14.30	22.62	20.87	17.62	14.25	22.86	21.12	17.87	14.50	22.60	20.86	17.60	14.24	22.37	20.62	17.37	14.00	23.46	21.71	18.46	15.09
	KW	1.85	1.85	1.85	1.87	2.08	2.08	2.07	2.09	2.33	2.32	2.32	2.34	2.60	2.59	2.59	2.61	2.90	2.90	2.89	2.91	3.25	3.25	3.25	3.26
	Amps	6.75	6.75	6.73	6.80	7.73	7.72	7.70	7.78	8.81	8.80	8.78	8.86	9.98	9.97	9.96	10.03	11.29	11.28	11.27	11.34	12.83	12.82	12.80	12.88
	Hi PR	260	261	263	268	301	302	304	309	344	345	347	352	391	392	393	398	440	442	443	448	494	495	497	501
	Lo PR	126	128	131	136	134	135	138	144	140	142	145	150	146	148	151	156	152	153	156	162	159	160	163	169
	MBh	34.11	34.6	35.6	37.1	33.8	34.3	35.3	36.8	32.9	33.4	34.4	35.9	31.4	31.9	32.9	34.4	29.6	30.0	31.1	32.6	27.9	28.4	29.4	30.9
	S/T	0.84	0.76	0.61	0.46	1.00	0.76	0.62	0.47	1.00	0.79	0.65	0.50	1.00	0.81	0.67	0.52	1.00	1.00	0.69	0.54	1.00	1.00	0.74	0.59
	ΔT	21.61	19.87	16.62	13.25	21.56	19.82	16.57	13.20	21.81	20.07	16.82	13.45	21.55	19.80	16.55	13.18	21.31	19.57	16.32	12.95	22.40	20.66	17.41	14.04
KW	1.87	1.86	1.86	1.88	2.09	2.09	2.08	2.10	2.34	2.34	2.33	2.35	2.61	2.61	2.60	2.62	2.91	2.91	2.90	2.92	3.26	3.26	3.26	3.27	
Amps	6.80	6.80	6.78	6.85	7.78	7.77	7.75	7.83	8.86	8.85	8.83	8.91	10.03	10.02	10.01	10.08	11.34	11.33	11.32	11.39	12.88	12.87	12.85	12.93	
Hi PR	262	264	265	270	303	305	306	311	346	348	349	354	393	394	396	400	443	444	446	450	496	497	499	503	
Lo PR	128	129	133	138	135	137	140	146	142	144	147	152	148	149	153	158	153	155	158	164	160	162	165	171	
MBh	34.6	35.1	36.1	37.7	34.3	34.8	35.8	37.4	33.5	33.9	34.9	36.5	31.9	32.4	33.4	35.0	30.1	30.6	31.6	33.1	28.4	28.9	29.9	31.4	
S/T	0.87	0.79	0.65	0.50	1.00	0.80	0.66	0.51	1.00	0.83	0.68	0.53	1.00	0.85	0.70	0.55	1.00	1.00	0.73	0.58	1.00	1.00	0.78	0.63	
ΔT	20.73	18.98	15.73	12.36	20.68	18.94	15.68	12.32	20.92	19.18	15.93	12.56	20.66	18.92	15.67	12.30	20.43	18.69	15.43	12.06	21.52	19.78	16.52	13.15	
KW	1.88	1.87	1.87	1.89	2.10	2.10	2.09	2.11	2.35	2.35	2.34	2.36	2.62	2.62	2.61	2.63	2.92	2.92	2.91	2.93	3.27	3.27	3.27	3.28	
Amps	6.85	6.84	6.82	6.90	7.82	7.81	7.79	7.87	8.90	8.89	8.88	8.95	10.07	10.07	10.05	10.12	11.38	11.38	11.36	11.43	12.92	12.91	12.90	12.97	
Hi PR	265	266	268	272	306	307	309	313	349	350	352	356	395	396	398	402	445	446	448	452	498	499	501	506	
Lo PR	130	131	135	140	138	139	142	148	144	146	149	154	150	151	155	160	155	157	160	166	162	164	167	173	

IDB = Entering Indoor Dry Bulb Temperature
 High and low pressures are measured at the liquid and suction access fittings.
 Design Subcooling: 8-12 °F @ the liquid access fitting connection AHRI 95 test conditions. Design Superheat 8-12°F @ the compressor suction access fitting connection.
 Shaded area reflects AHRI (TVA) conditions.
 Amps: Unit amps (comp.+ evaporator + condenser fan motors)
 KW = Total system power

IDB	AIRFLOW	OUTDOOR AMBIENT TEMPERATURE												115																																														
		65						75						85						95						105						115																												
		59	63	67	71	75	79	59	63	67	71	75	79	59	63	67	71	75	79	59	63	67	71	75	79	59	63	67	71	75	79	59	63	67	71	75	79																							
ENTERING INDOOR WET BULB TEMPERATURE																																																												
80	MBh	33.8	34.3	35.3	36.9	33.5	34.0	35.0	36.6	32.7	33.1	34.1	35.7	31.2	31.6	32.6	34.2	29.3	29.8	30.8	32.3	27.6	28.1	29.1	30.6	29.3	29.8	30.8	32.3	27.6	28.1	29.1	30.6	29.3	29.8	30.8	32.3	27.6	28.1	29.1	30.6	29.3	29.8	30.8	32.3	27.6	28.1	29.1	30.6											
	S/T	1.00	0.83	0.68	0.5	1.00	0.83	0.69	0.5	1.00	0.86	0.72	0.6	1.00	1.00	0.74	0.6	1.00	1.00	0.76	0.6	1.00	1.00	0.81	0.7	1.00	1.00	0.76	0.6	1.00	1.00	0.81	0.7	1.00	1.00	0.76	0.6	1.00	1.00	0.81	0.7	1.00	1.00	0.76	0.6	1.00	1.00	0.81	0.7											
	ΔT	26.52	24.78	21.53	18.2	26.47	24.73	21.48	18.1	26.72	24.98	21.72	18.4	26.45	24.71	21.46	18.1	26.22	24.48	21.23	17.9	27.31	25.57	22.32	18.9	26.22	24.48	21.23	17.9	27.31	25.57	22.32	18.9	26.22	24.48	21.23	17.9	27.31	25.57	22.32	18.9	26.22	24.48	21.23	17.9	27.31	25.57	22.32	18.9											
	kW	1.86	1.85	1.85	1.87	2.08	2.08	2.07	2.09	2.33	2.33	2.32	2.34	2.60	2.60	2.59	2.61	2.90	2.90	2.90	2.89	2.91	3.25	3.25	3.25	3.26	2.90	2.90	2.90	2.89	2.91	3.25	3.25	3.25	3.26	2.90	2.90	2.90	2.89	2.91	3.25	3.25	3.25	3.26	2.90	2.90	2.90	2.89	2.91	3.25	3.25	3.25	3.26							
	Amps	6.76	6.75	6.74	6.81	7.73	7.72	7.71	7.78	8.81	8.81	8.79	8.86	9.99	9.98	9.96	10.04	11.30	11.29	11.27	11.35	12.83	12.83	12.83	12.88	11.30	11.29	11.27	11.35	12.83	12.83	12.83	12.88	12.93	11.30	11.29	11.27	11.35	12.83	12.83	12.83	12.88	12.93	11.30	11.29	11.27	11.35	12.83	12.83	12.83	12.88	12.93								
	Hi PR	261	262	264	268	302	303	305	309	345	346	348	352	391	392	394	398	441	442	444	448	494	495	497	502	391	392	394	398	441	442	444	448	494	391	392	394	398	441	442	444	448	494	391	392	394	398	441	442	444	448	494								
Lo PR	127	128	131	137	134	136	139	144	141	142	146	151	147	148	151	157	152	154	157	162	159	161	164	169	147	148	151	157	152	154	157	162	159	147	148	151	157	152	154	157	162	159	147	148	151	157	152	154	157	162	159									
1120	MBh	34.8	35.3	36.3	37.8	34.5	35.0	36.0	37.5	33.6	34.1	35.1	36.7	32.1	32.6	33.6	35.1	30.3	30.8	31.8	33.3	28.6	29.1	30.1	31.6	30.3	30.8	31.8	33.3	28.6	29.1	30.1	31.6	30.3	30.8	31.8	33.3	28.6	29.1	30.1	31.6	30.3	30.8	31.8	33.3	28.6	29.1	30.1	31.6											
	S/T	1.00	0.92	0.78	0.6	1.00	0.93	0.79	0.6	1.00	1.00	0.81	0.7	1.00	1.00	0.83	0.7	1.00	1.00	0.86	0.7	1.00	1.00	0.88	0.7	1.00	1.00	0.86	0.7	1.00	1.00	0.88	0.7	1.00	1.00	0.86	0.7	1.00	1.00	0.88	0.7	1.00	1.00	0.86	0.7	1.00	1.00	0.88	0.7											
	ΔT	24.58	22.84	19.59	16.2	24.53	22.79	19.54	16.2	24.78	23.04	19.79	16.4	24.52	22.77	19.52	16.2	24.28	22.54	19.29	15.9	25.37	23.63	20.38	17.0	24.28	22.54	19.29	15.9	25.37	23.63	20.38	17.0	24.28	22.54	19.29	15.9	25.37	23.63	20.38	17.0	24.28	22.54	19.29	15.9	25.37	23.63	20.38	17.0											
	kW	1.88	1.87	1.87	1.89	2.10	2.10	2.09	2.11	2.35	2.35	2.34	2.36	2.62	2.62	2.61	2.63	2.92	2.92	2.92	2.91	2.93	3.27	3.27	3.27	3.29	2.92	2.92	2.92	2.91	2.93	3.27	3.27	3.27	3.29	2.92	2.92	2.92	2.91	2.93	3.27	3.27	3.27	3.29	2.92	2.92	2.92	2.91	2.93	3.27	3.27	3.27	3.29							
	Amps	6.85	6.84	6.83	6.90	7.82	7.82	7.80	7.87	8.91	8.90	8.88	8.96	10.08	10.07	10.05	10.13	11.39	11.38	11.36	11.44	12.93	12.93	12.92	12.98	11.39	11.38	11.36	11.44	12.93	12.93	12.92	12.98	12.98	11.39	11.38	11.36	11.44	12.93	12.93	12.92	12.98	12.98	11.39	11.38	11.36	11.44	12.93	12.93	12.92	12.98	12.98								
	Hi PR	265	266	268	273	306	307	309	314	349	350	352	357	395	396	398	403	445	446	448	453	499	500	501	506	349	350	352	357	395	396	398	403	445	349	350	352	357	395	396	398	403	445	349	350	352	357	395	396	398	403	445	349	350	352	357	395	396	398	403
Lo PR	130	132	135	141	138	140	143	148	145	146	150	155	150	152	155	161	156	158	161	166	163	165	168	173	145	146	150	155	150	152	155	161	156	145	146	150	155	150	152	155	161	156	145	146	150	155	150	152	155	161	156	145	146	150	155	150	152	155	161	156
85	MBh	34.4	34.9	35.9	37.4	34.1	34.6	35.6	37.1	33.2	33.7	34.7	36.2	31.7	32.2	33.2	34.7	29.9	30.3	31.4	32.9	28.2	28.7	29.7	31.2	29.9	30.3	31.4	32.9	28.2	28.7	29.7	31.2	29.9	30.3	31.4	32.9	28.2	28.7	29.7	31.2	29.9	30.3	31.4	32.9	28.2	28.7	29.7	31.2											
	S/T	1.00	0.93	0.79	0.6	1.00	1.00	0.86	0.7	1.00	1.00	0.82	0.7	1.00	1.00	0.84	0.7	1.00	1.00	0.88	0.7	1.00	1.00	0.88	0.8	1.00	1.00	0.88	0.7	1.00	1.00	0.88	0.8	1.00	1.00	0.88	0.7	1.00	1.00	0.88	0.8	1.00	1.00	0.88	0.7	1.00	1.00	0.88	0.8											
	ΔT	29.94	28.20	24.95	21.6	29.89	28.15	24.90	21.5	30.14	28.40	25.14	21.8	29.87	28.13	24.88	21.5	29.64	27.90	24.65	21.3	30.73	28.99	25.74	22.4	29.64	27.90	24.65	21.3	30.73	28.99	25.74	22.4	29.64	27.90	24.65	21.3	30.73	28.99	25.74	22.4	29.64	27.90	24.65	21.3	30.73	28.99	25.74	22.4											
	kW	1.86	1.86	1.85	1.87	2.08	2.08	2.08	2.09	2.33	2.33	2.33	2.34	2.60	2.60	2.60	2.61	2.90	2.90	2.90	2.91	3.26	3.26	3.25	3.27	2.90	2.90	2.90	2.91	3.26	3.26	3.25	3.27	2.90	2.90	2.90	2.91	3.26	3.26	3.25	3.27	2.90	2.90	2.90	2.91	3.26	3.26	3.25	3.27											
	Amps	6.78	6.77	6.75	6.83	7.75	7.74	7.72	7.80	8.83	8.82	8.81	8.88	10.00	10.00	9.98	10.05	11.32	11.31	11.29	11.37	12.85	12.84	12.83	12.90	11.32	11.31	11.29	11.37	12.85	12.84	12.83	12.90	11.32	11.31	11.29	11.37	12.85	12.84	12.83	12.90	11.32	11.31	11.29	11.37	12.85	12.84	12.83	12.90											
	Hi PR	262	263	265	269	303	304	306	310	346	347	349	353	392	393	395	400	442	443	445	450	495	497	498	503	346	347	349	353	392	393	395	400	442	346	347	349	353	392	393	395	400	442	346	347	349	353	392	393	395	400	442	346	347	349	353	392	393	395	400
Lo PR	128	130	133	139	136	138	141	146	143	144	148	153	148	150	153	159	154	156	159	164	161	163	166	171	143	144	148	153	148	150	153	159	154	143	144	148	153	148	150	153	159	154	143	144	148	153	148	150	153	159	154	143	144	148	153	148	150	153	159	154
1120	MBh	35.4	35.9	36.9	38.4	35.1	35.6	36.6	38.1	34.2	34.7	35.7	37.2	32.7	33.2	34.2	35.7	30.8	31.3	32.3	33.9	29.2	29.6	30.6	32.2	30.8	31.3	32.3	33.9	29.2	29.6	30.6	32.2	30.8	31.3	32.3	33.9	29.2	29.6	30.6	32.2	30.8	31.3	32.3	33.9	29.2	29.6	30.6	32.2											
	S/T	1.00	1.00	0.89	0.7	1.00	1.00	0.89	0.7	1.00	1.00	0.92	0.8	1.00	1.00	0.91	0.8	1.00	1.00	0.94	0.8	1.00	1.00	0.90	0.9	1.00	1.00	0.94	0.8	1.00	1.00	0.90	0.9	1.00	1.00	0.94	0.8	1.00	1.00	0.90	0.9	1.00	1.00	0.94	0.8	1.00	1.00	0.90	0.9											
	ΔT	28.00	26.26	23.01	19.6	27.95	26.21	22.96	19.6	28.20	26.46	23.20	19.8	27.94	26.19	22.94	19.6	27.70	25.96	22.71	19.3	28.79	27.05	23.80	20.4	27.70	25.96	22.71	19.3	28.79	27.05	23.80	20.4	27.70	25.96	22.71	19.3	28.79	27.05	23.80	20.4	27.70	25.96	22.71	19.3	28.79	27.05	23.80	20.4											
	kW	1.88	1.88	1.88	1.89	2.10	2.10	2.10	2.12	2.35	2.35	2.35	2.36	2.62	2.62	2.62	2.63	2.92	2.92	2.92	2.94	3.28	3.28	3.27	3.29	2.92	2.92	2.92	2.94	3.28	3.28	3.27	3.29	2.92	2.92	2.92	2.94	3.28	3.28	3.27	3.29	2.92	2.92	2.92	2.94	3.28	3.28	3.27	3.29											
	Amps	6.87	6.86	6.85	6.92	7.84	7																																																					

IDB	AIRFLOW	OUTDOOR AMBIENT TEMPERATURE												ENTERING INDOOR WET BULB TEMPERATURE												
		65				75				85				95				105				115				
		59	63	67	71	59	63	67	71	59	63	67	71	59	63	67	71	59	63	67	71	59	63	67	71	
70	MbH	58.29	59.11	60.85	-	57.77	58.59	60.33	-	56.24	57.07	58.81	-	53.63	54.45	56.19	-	50.43	51.25	52.99	-	47.51	48.33	50.07	-	
	S/T	0.58	0.51	0.38	-	0.59	0.52	0.39	-	0.61	0.54	0.41	-	0.63	0.56	0.43	-	0.65	0.58	0.45	-	1.00	0.63	0.50	-	
	ΔT	20.69	18.77	15.19	-	20.64	18.72	15.13	-	20.91	18.99	15.40	-	20.62	18.70	15.11	-	20.36	18.44	14.86	-	21.57	19.65	16.06	-	
	KW	3.62	3.62	3.61	-	4.08	4.07	4.07	-	4.59	4.59	4.58	-	5.14	5.14	5.13	-	5.76	5.76	5.75	-	6.49	6.48	6.47	-	
	Amps	13.48	13.47	13.43	-	15.48	15.46	15.43	-	17.70	17.68	17.65	-	20.10	20.09	20.05	-	22.79	22.77	22.74	-	25.94	25.93	25.89	-	
	Hi PR	280.70	281.92	283.89	-	324.98	326.19	328.17	-	371.36	372.57	374.55	-	421.30	422.52	424.49	-	475.15	476.36	478.34	-	532.61	533.83	535.80	-	
	Lo PR	117.85	119.30	122.30	-	125.01	126.47	129.47	-	131.29	132.74	135.74	-	136.59	138.05	141.04	-	141.80	143.25	146.25	-	148.32	149.77	152.77	-	
	MbH	59.01	59.83	61.57	-	58.49	59.31	61.05	-	56.97	57.79	59.53	-	54.35	55.17	56.91	-	51.15	51.98	53.72	-	48.23	49.06	50.80	-	
	S/T	0.64	0.56	0.43	-	0.64	0.57	0.44	-	0.67	0.59	0.46	-	0.69	0.61	0.48	-	1.00	0.63	0.50	-	1.00	0.68	0.55	-	
	ΔT	19.61	17.69	14.10	-	19.55	17.63	14.05	-	19.82	17.90	14.32	-	19.53	17.61	14.03	-	19.28	17.36	13.77	-	20.48	18.56	14.97	-	
KW	3.64	3.64	3.63	-	4.10	4.10	4.09	-	4.61	4.61	4.60	-	5.16	5.16	5.15	-	5.78	5.78	5.77	-	6.51	6.50	6.50	-		
Amps	13.58	13.57	13.53	-	15.57	15.56	15.52	-	17.79	17.78	17.74	-	20.20	20.18	20.15	-	22.89	22.87	22.84	-	26.04	26.02	25.99	-		
Hi PR	282.94	284.16	286.13	-	327.21	328.43	330.40	-	373.60	374.81	376.79	-	423.54	424.75	426.73	-	477.38	478.60	480.57	-	534.85	536.06	538.04	-		
Lo PR	119.48	120.94	123.93	-	126.65	128.10	131.10	-	132.92	134.38	137.37	-	138.22	139.68	142.68	-	143.43	144.89	147.88	-	149.95	151.41	154.40	-		
1900	MbH	59.87	60.69	62.43	-	59.35	60.17	61.91	-	57.83	58.65	60.39	-	55.21	56.03	57.77	-	52.01	52.84	54.58	-	49.09	49.92	51.66	-	
	S/T	0.67	0.60	0.47	-	0.67	0.60	0.47	-	0.70	0.63	0.50	-	0.72	0.64	0.51	-	1.00	0.66	0.54	-	1.00	0.71	0.58	-	
	ΔT	18.68	16.76	13.18	-	18.63	16.71	13.13	-	18.90	16.98	13.39	-	18.61	16.69	13.11	-	18.36	16.43	12.85	-	19.56	17.64	14.05	-	
	KW	3.66	3.66	3.65	-	4.12	4.12	4.11	-	4.63	4.63	4.62	-	5.18	5.18	5.17	-	5.80	5.80	5.79	-	6.53	6.52	6.52	-	
	Amps	13.66	13.65	13.61	-	15.65	15.64	15.60	-	17.88	17.86	17.83	-	20.28	20.27	20.23	-	22.97	22.95	22.92	-	26.12	26.11	26.07	-	
	Hi PR	285.12	286.34	288.31	-	329.39	330.61	332.58	-	375.77	376.99	378.96	-	425.71	426.93	428.90	-	479.56	480.78	482.75	-	537.02	538.24	540.21	-	
	Lo PR	121.28	122.73	125.73	-	128.44	129.90	132.90	-	134.72	136.17	139.17	-	140.02	141.48	144.48	-	145.23	146.68	149.68	-	151.75	153.20	156.20	-	
	75	MbH	58.32	59.14	60.88	63.54	57.80	58.62	60.36	63.02	56.28	57.10	58.84	61.50	53.66	54.48	56.22	58.88	50.46	51.29	53.03	55.68	47.54	48.37	50.11	52.76
		S/T	0.71	0.63	0.50	0.37	0.71	0.64	0.51	0.37	0.74	0.66	0.53	0.40	1.00	0.68	0.55	0.42	1.00	0.70	0.57	0.44	1.00	0.81	0.68	0.54
		ΔT	24.92	22.99	19.41	15.69	24.86	22.94	19.36	15.64	25.13	23.21	19.63	15.91	24.84	22.92	19.34	15.62	24.59	22.67	19.08	15.36	25.79	23.87	20.28	16.57
KW		3.62	3.61	3.61	3.64	4.08	4.07	4.06	4.10	4.59	4.58	4.58	4.61	5.14	5.14	5.13	5.16	5.76	5.75	5.75	5.78	6.48	6.48	6.47	6.51	
Amps		13.47	13.46	13.42	13.57	15.46	15.45	15.41	15.57	17.69	17.67	17.64	17.79	20.09	20.07	20.04	20.19	22.78	22.76	22.73	22.88	25.93	25.91	25.88	26.03	
Hi PR		280.95	282.17	284.14	289.03	325.22	326.44	328.41	333.30	371.60	372.82	374.79	379.69	421.55	422.76	424.74	429.63	475.39	476.61	478.58	483.47	532.86	534.07	536.05	540.94	
Lo PR		117.88	119.33	122.33	127.34	125.04	126.50	129.49	134.51	131.31	132.77	135.77	140.78	136.62	138.07	141.07	146.09	141.83	143.28	146.28	151.29	148.35	149.80	152.80	157.81	
1500		MbH	59.04	59.87	61.61	64.26	58.52	59.35	61.09	63.74	57.00	57.82	59.56	62.22	54.39	55.21	56.95	59.61	51.19	52.01	53.75	56.41	48.27	49.09	50.83	53.49
		S/T	0.76	0.69	0.56	0.42	0.77	0.69	0.56	0.43	0.79	0.72	0.59	0.45	1.00	0.74	0.61	0.47	1.00	0.76	0.63	0.49	1.00	0.81	0.68	0.54
		ΔT	23.83	21.91	18.32	14.61	23.78	21.86	18.27	14.56	24.05	22.13	18.54	14.83	23.76	21.84	18.25	14.54	23.50	21.58	17.99	14.28	24.70	22.78	19.20	15.48
	KW	3.64	3.64	3.63	3.66	4.10	4.09	4.09	4.12	4.61	4.61	4.60	4.63	5.16	5.16	5.15	5.19	5.78	5.78	5.77	5.80	6.51	6.50	6.49	6.53	
	Amps	13.57	13.55	13.52	13.67	15.56	15.54	15.51	15.66	17.78	17.77	17.73	17.88	20.19	20.17	20.14	20.29	22.87	22.86	22.82	22.98	26.03	26.01	25.98	26.13	
	Hi PR	283.19	284.41	286.38	291.27	327.46	328.68	330.65	335.54	373.84	375.06	377.03	381.92	423.79	425.00	426.98	431.87	477.63	478.85	480.82	485.71	535.10	536.31	538.28	543.18	
	Lo PR	119.51	120.96	123.96	128.98	126.67	128.13	131.13	136.14	132.95	134.40	137.40	142.42	138.25	139.71	142.71	147.72	143.46	144.91	147.91	152.93	149.98	151.43	154.43	159.45	
	1700	MbH	59.90	60.73	62.47	65.12	59.38	60.21	61.95	64.60	57.86	58.68	60.42	63.08	55.25	56.07	57.81	60.47	52.05	52.87	54.61	57.27	49.13	49.95	51.69	54.35
		S/T	0.79	0.72	0.59	0.45	0.80	0.72	0.59	0.46	1.00	0.75	0.62	0.48	1.00	0.77	0.64	0.50	1.00	0.79	0.66	0.52	1.00	0.84	0.71	0.57
		ΔT	22.91	20.99	17.40	13.69	22.85	20.93	17.35	13.63	23.12	21.20	17.62	13.90	22.83	20.91	17.33	13.61	22.58	20.66	17.07	13.36	23.78	21.86	18.27	14.56
KW		3.66	3.65	3.65	3.68	4.12	4.11	4.10	4.14	4.63	4.62	4.62	4.65	5.18	5.18	5.17	5.20	5.80	5.80	5.79	5.82	6.52	6.52	6.51	6.55	
Amps		13.65	13.63	13.60	13.75	15.64	15.63	15.59	15.74	17.86	17.85	17.81	17.97	20.27	20.25	20.22	20.37	22.96	22.94	22.91	23.06	26.11	26.09	26.06	26.21	
Hi PR		285.37	286.58	288.56	293.45	329.64	330.86	332.83	337.72	376.02	377.24	379.21	384.10	425.96	427.18	429.15	434.04	479.81	481.02	483.00	487.89	537.27	538.49	540.46	545.35	
Lo PR		121.31	122.76	125.76	130.78	128.47	129.93	132.92	137.94	134.75	136.20	139.20	144.21	140.05	141.51	144.50	149.52	145.26	146.71	149.71	154.73	151.78	153.23	156.23	161.24	

Shaded area reflects AHRH (TVA) conditions.
 KW = Total system power
 Amps: Unit amps (comp. + evaporator + condenser fan motors)
 IDB = Entering Indoor Dry Bulb Temperature
 High and low pressures are measured at the liquid and suction access fittings.
 Design Subcooling, 5-7 °F @ the liquid access fitting connection ARI 95 test conditions. Design Superheat, 15-18°F @ the compressor suction access fitting connection.

IDB	AIRFLOW	OUTDOOR AMBIENT TEMPERATURE												ENTERING INDOOR WET BULB TEMPERATURE											
		65				75				85				95				105				115			
		59	63	67	71	59	63	67	71	59	63	67	71	59	63	67	71	59	63	67	71	59	63	67	71
1500	Mbh	58.62	59.45	61.19	63.84	58.10	58.92	60.66	63.32	56.58	57.40	59.14	61.80	53.96	54.79	56.53	59.18	50.77	51.59	53.33	55.99	47.85	48.67	50.41	53.07
	S/T	0.83	0.75	0.62	0.49	1.00	0.76	0.63	0.49	1.00	0.78	0.65	0.52	1.00	0.80	0.67	0.54	1.00	0.82	0.69	0.56	1.00	1.00	0.74	0.61
	ΔT	29.17	27.25	23.66	19.94	29.11	27.19	23.61	19.89	29.38	27.46	23.88	20.16	29.09	27.17	23.59	19.87	28.84	26.92	23.33	19.62	30.04	28.12	24.53	20.82
	KW	3.62	3.62	3.61	3.64	4.08	4.07	4.07	4.10	4.59	4.59	4.58	4.61	5.14	5.14	5.13	5.17	5.76	5.76	5.75	5.78	6.49	6.48	6.47	6.51
	Amps	13.48	13.47	13.43	13.58	15.47	15.46	15.42	15.58	17.72	17.68	17.65	17.80	20.10	20.08	20.05	20.20	22.79	22.77	22.74	22.89	25.94	25.92	25.89	26.04
	Hi PR	281.47	282.69	284.66	289.55	325.74	326.96	328.93	333.82	372.12	373.34	375.31	380.20	422.06	423.28	425.25	430.14	475.91	477.13	479.10	483.99	533.37	534.59	536.56	541.45
	Lo PR	118.40	119.85	122.85	127.86	125.56	127.02	130.01	135.03	131.84	133.29	136.29	141.30	137.14	138.59	141.59	146.61	142.35	143.80	146.80	151.81	148.87	150.32	153.32	158.33
	Mbh	59.35	60.17	61.91	64.57	58.82	59.65	61.39	64.05	57.30	58.13	59.87	62.52	54.69	55.51	57.25	59.91	51.49	52.31	54.05	56.71	48.57	49.39	51.13	53.79
	S/T	0.88	0.81	0.68	0.54	1.00	0.81	0.68	0.55	1.00	0.84	0.71	0.57	1.00	0.86	0.73	0.59	1.00	1.00	0.75	0.61	1.00	1.00	0.80	0.66
	ΔT	28.08	26.16	22.57	18.86	28.03	26.11	22.52	18.81	28.30	26.38	22.79	19.08	28.01	26.09	22.50	18.79	27.75	25.83	22.25	18.53	28.96	27.03	23.45	19.73
1700	KW	3.64	3.64	3.63	3.67	4.10	4.10	4.09	4.12	4.61	4.61	4.60	4.63	5.16	5.16	5.15	5.19	5.78	5.78	5.77	5.81	6.51	6.50	6.50	6.53
	Amps	13.58	13.56	13.53	13.68	15.57	15.55	15.52	15.67	17.79	17.78	17.74	17.89	20.20	20.18	20.15	20.30	22.88	22.87	22.83	22.99	26.04	26.02	25.99	26.14
	Hi PR	283.71	284.92	286.90	291.79	327.98	329.20	331.17	336.06	374.36	375.58	377.55	382.44	424.30	425.52	427.49	432.38	478.15	479.37	481.34	486.23	535.61	536.83	538.80	543.69
	Lo PR	120.03	121.48	124.48	129.50	127.19	128.65	131.65	136.66	133.47	134.92	137.92	142.94	138.77	140.23	143.23	148.24	143.98	145.43	148.43	153.45	150.50	151.95	154.95	159.97
	Mbh	60.21	61.03	62.77	65.43	59.68	60.51	62.25	64.91	58.16	58.99	60.73	63.38	55.55	56.37	58.11	60.77	52.35	53.17	54.91	57.57	49.43	50.25	51.99	54.65
	S/T	0.91	0.84	0.71	0.57	1.00	0.84	0.71	0.58	1.00	0.87	0.74	0.60	1.00	0.89	0.76	0.62	1.00	1.00	0.78	0.64	1.00	1.00	0.83	0.69
	ΔT	27.16	25.24	21.65	17.94	27.11	25.19	21.60	17.88	27.38	25.46	21.87	18.15	27.09	25.17	21.58	17.86	26.83	24.91	21.32	17.61	28.03	26.11	22.53	18.81
	KW	3.66	3.66	3.65	3.68	4.12	4.12	4.11	4.14	4.63	4.63	4.62	4.65	5.18	5.18	5.17	5.21	5.80	5.80	5.79	5.82	6.53	6.52	6.51	6.55
	Amps	13.66	13.64	13.61	13.76	15.65	15.64	15.60	15.75	17.87	17.86	17.82	17.98	20.28	20.26	20.23	20.38	22.97	22.95	22.92	23.07	26.12	26.10	26.07	26.22
	Hi PR	285.88	287.10	289.07	293.96	330.16	331.37	333.35	338.24	376.54	377.75	379.73	384.62	426.48	427.70	429.67	434.56	480.32	481.54	483.51	488.40	537.79	539.00	540.98	545.87
Lo PR	121.83	123.28	126.28	131.30	128.99	130.45	133.45	138.46	135.27	136.72	139.72	144.73	140.57	142.03	145.02	150.04	145.78	147.23	150.23	155.25	152.30	153.75	156.75	161.76	
1500	Mbh	59.60	60.43	62.17	64.82	59.08	59.91	61.65	64.30	57.56	58.38	60.12	62.78	54.94	55.77	57.51	60.17	51.75	52.57	54.31	56.97	48.83	49.65	51.39	54.05
	S/T	1.00	0.85	0.72	0.58	1.00	0.86	0.73	0.59	1.00	0.88	0.75	0.61	1.00	1.00	0.77	0.63	1.00	1.00	0.79	0.65	1.00	1.00	0.84	0.70
	ΔT	32.94	31.02	27.43	23.72	32.88	30.96	27.38	23.66	33.15	31.23	27.65	23.93	32.87	30.94	27.36	23.64	32.61	30.69	27.10	23.39	33.81	31.89	28.30	24.59
	KW	3.63	3.63	3.62	3.65	4.09	4.08	4.08	4.11	4.60	4.59	4.59	4.62	5.15	5.15	5.14	5.17	5.77	5.77	5.76	5.79	6.49	6.49	6.48	6.52
	Amps	13.52	13.50	13.47	13.62	15.51	15.50	15.46	15.61	17.73	17.72	17.68	17.84	20.14	20.12	20.09	20.24	22.83	22.81	22.78	22.93	25.98	25.96	25.93	26.08
	Hi PR	282.79	284.01	285.98	290.87	327.06	328.28	330.25	335.14	373.44	374.66	376.63	381.52	423.38	424.60	426.57	431.46	477.23	478.45	480.42	485.31	534.69	535.91	537.88	542.77
	Lo PR	120.16	121.62	124.61	129.63	127.33	128.78	131.78	136.79	133.60	135.06	138.05	143.07	138.91	140.36	143.36	148.37	144.11	145.57	148.56	153.58	150.63	152.09	155.08	160.10
	Mbh	60.33	61.15	62.89	65.55	59.81	60.63	62.37	65.03	58.29	59.11	60.85	63.51	55.67	56.49	58.23	60.89	52.47	53.29	55.03	57.69	49.55	50.37	52.11	54.77
	S/T	1.00	0.90	0.77	0.64	1.00	0.91	0.78	0.64	1.00	1.00	0.80	0.67	1.00	1.00	0.82	0.69	1.00	1.00	0.84	0.71	1.00	1.00	0.89	0.76
	ΔT	31.85	29.93	26.35	22.63	31.80	29.88	26.29	22.58	32.07	30.15	26.56	22.85	31.78	29.86	26.27	22.56	31.52	29.60	26.02	22.30	32.73	30.81	27.22	23.50
1700	KW	3.65	3.65	3.64	3.67	4.11	4.11	4.10	4.13	4.62	4.62	4.61	4.64	5.17	5.17	5.16	5.20	5.79	5.79	5.78	5.81	6.52	6.51	6.50	6.54
	Amps	13.62	13.60	13.57	13.72	15.61	15.59	15.56	15.71	17.83	17.81	17.78	17.93	20.24	20.22	20.19	20.34	22.92	22.91	22.87	23.03	26.08	26.06	26.03	26.18
	Hi PR	285.03	286.24	288.22	293.11	329.30	330.52	332.49	337.38	375.68	376.90	378.87	383.76	425.62	426.84	428.81	433.70	479.47	480.68	482.66	487.55	536.93	538.15	540.12	545.01
	Lo PR	121.80	123.25	126.25	131.26	128.96	130.41	133.41	138.43	135.23	136.69	139.69	144.70	140.54	141.99	144.99	150.01	145.75	147.20	150.20	155.21	152.26	153.72	156.72	161.73
	Mbh	61.19	62.01	63.75	66.41	60.67	61.49	63.23	65.89	59.15	59.97	61.71	64.37	56.53	57.35	59.09	61.75	53.33	54.15	55.89	58.55	50.41	51.23	52.97	55.63
	S/T	1.00	0.94	0.81	0.67	1.00	0.94	0.81	0.67	1.00	1.00	0.84	0.70	1.00	1.00	0.85	0.72	1.00	1.00	0.88	0.74	1.00	1.00	1.00	0.79
	ΔT	30.93	29.01	25.42	21.71	30.88	28.96	25.37	21.65	31.15	29.23	25.64	21.92	30.86	28.94	25.35	21.64	30.60	28.68	25.09	21.38	31.80	29.88	26.30	22.58
	KW	3.67	3.67	3.66	3.69	4.13	4.12	4.12	4.15	4.64	4.64	4.63	4.66	5.19	5.19	5.18	5.22	5.81	5.81	5.80	5.83	6.54	6.53	6.52	6.56
	Amps	13.70	13.68	13.65	13.80	15.69	15.67	15.64	15.79	17.91	17.90	17.86	18.01	20.32	20.30	20.27	20.42	23.00	22.99	22.95	23.11	26.16	26.14	26.11	26.26
	Hi PR	287.20	288.42	290.39	295.28	331.47	332.69	334.66	339.56	377.86	379.07	381.05	385.94	427.80	429.01	430.99	435.88	481.64	482.86	484.83	489.72	539.11	540.32	542.30	547.19
Lo PR	123.59	125.05	128.05	133.06	130.76	132.21	135.21	140.23	137.03	138.49	141.49	146.50	142.34	143.79	146.79	151.80	147.54	149.00	152.00	157.01	154.06	155.52	158.52	163.53	

Shaded area reflects AHRI conditions. KW = Total system power
 Amps: Unit amps (comp.+ evaporator + condenser fan motors)
 IDB = Entering Indoor Dry Bulb Temperature
 High and low pressures are measured at the liquid and suction access fittings.
 Design Subcooling, 5-7 °F @ the liquid access fitting connection ARI 95 test conditions. Design Superheat 15-18°F @ the compressor suction access fitting connection.

IDB	AIRFLOW	OUTDOOR AMBIENT TEMPERATURE												ENTERING INDOOR WET BULB TEMPERATURE												
		65				75				85				95				105				115				
		59	63	67	71	59	63	67	71	59	63	67	71	59	63	67	71	59	63	67	71	59	63	67	71	
70	MBh	41.91	42.50	43.75	-	41.53	42.12	43.38	-	40.44	41.03	42.28	-	38.56	39.15	40.40	-	36.26	36.85	38.10	-	34.16	34.75	36.00	-	
	S/T	0.60	0.52	0.39	-	0.61	0.53	0.40	-	0.63	0.56	0.42	-	0.65	0.57	0.44	-	1.00	0.60	0.46	-	1.00	0.65	0.51	-	
	ΔT	19.97	18.11	14.65	-	19.92	18.06	14.60	-	20.18	18.32	14.86	-	19.90	18.04	14.58	-	19.65	17.80	14.34	-	20.81	18.96	15.50	-	
	KW	2.28	2.27	2.27	-	2.57	2.56	2.56	-	2.89	2.88	2.88	-	3.23	3.23	3.23	-	3.62	3.62	3.62	-	4.08	4.08	4.07	-	
	Amps	8.48	8.47	8.45	-	9.73	9.72	9.70	-	11.13	11.12	11.10	-	12.64	12.64	12.61	-	14.34	14.33	14.30	-	16.32	16.31	16.29	-	
	Hi PR	268.35	269.52	271.40	-	310.68	311.84	313.73	-	355.02	356.18	358.07	-	402.76	403.93	405.81	-	454.24	455.40	457.29	-	509.37	510.34	512.22	-	
	Lo PR	121.15	122.64	125.73	-	128.51	130.01	133.09	-	134.96	136.46	139.54	-	140.42	141.91	144.99	-	145.77	147.26	150.35	-	152.47	153.97	157.05	-	
	MBh	42.43	43.02	44.27	-	42.05	42.65	43.90	-	40.96	41.55	42.80	-	39.08	39.67	40.92	-	36.78	37.37	38.62	-	34.68	35.27	36.52	-	
	S/T	0.65	0.58	0.45	-	0.66	0.59	0.45	-	0.68	0.61	0.48	-	0.70	0.63	0.50	-	1.00	0.65	0.52	-	1.00	0.70	0.57	-	
	ΔT	18.92	17.07	13.61	-	18.87	17.02	13.56	-	19.13	17.28	13.82	-	18.85	17.00	13.54	-	18.60	16.75	13.29	-	19.76	17.91	14.45	-	
1190	KW	2.29	2.29	2.28	-	2.58	2.58	2.57	-	2.90	2.90	2.89	-	3.25	3.25	3.24	-	3.64	3.64	3.63	-	4.09	4.09	4.09	-	
	Amps	8.54	8.53	8.51	-	9.79	9.78	9.76	-	11.19	11.18	11.16	-	12.71	12.70	12.67	-	14.40	14.39	14.36	-	16.38	16.37	16.35	-	
	Hi PR	270.49	271.66	273.54	-	312.82	313.98	315.87	-	357.16	358.32	360.21	-	404.90	406.07	407.95	-	456.38	457.54	459.43	-	511.31	512.48	514.36	-	
	Lo PR	122.83	124.32	127.40	-	130.19	131.69	134.77	-	136.64	138.14	141.22	-	142.10	143.59	146.67	-	147.45	148.94	152.03	-	154.15	155.64	158.73	-	
	MBh	43.05	43.64	44.89	-	42.67	43.26	44.51	-	41.58	42.17	43.42	-	39.70	40.29	41.54	-	37.40	37.99	39.24	-	35.30	35.89	37.14	-	
	S/T	0.69	0.61	0.48	-	0.69	0.62	0.48	-	0.72	0.64	0.51	-	1.00	0.66	0.53	-	1.00	0.68	0.55	-	1.00	0.73	0.60	-	
	ΔT	18.03	16.18	12.72	-	17.98	16.13	12.67	-	18.24	16.39	12.93	-	17.96	16.11	12.65	-	17.71	15.86	12.40	-	18.87	17.02	13.56	-	
	KW	2.30	2.30	2.30	-	2.59	2.59	2.58	-	2.91	2.91	2.91	-	3.26	3.26	3.25	-	3.65	3.65	3.64	-	4.11	4.10	4.10	-	
	Amps	8.59	8.58	8.56	-	9.85	9.84	9.82	-	11.24	11.23	11.21	-	12.76	12.75	12.73	-	14.45	14.44	14.42	-	16.43	16.42	16.40	-	
	Hi PR	272.57	273.74	275.62	-	314.90	316.06	317.95	-	359.24	360.40	362.29	-	406.98	408.15	410.03	-	458.46	459.62	461.51	-	513.39	514.56	516.44	-	
Lo PR	124.68	126.17	129.25	-	132.04	133.54	136.62	-	138.49	139.99	143.07	-	143.94	145.44	148.52	-	149.30	150.79	153.87	-	156.00	157.49	160.58	-		
1330	MBh	41.93	42.52	43.78	45.69	41.56	42.15	43.40	45.31	40.46	41.06	42.31	44.22	38.58	39.17	40.43	42.34	36.28	36.87	38.13	40.04	34.18	34.78	36.03	37.94	
	S/T	0.73	0.65	0.52	0.38	0.73	0.66	0.52	0.38	1.00	0.68	0.55	0.41	1.00	0.70	0.57	0.43	1.00	0.72	0.59	0.45	1.00	0.77	0.64	0.50	
	ΔT	24.04	22.19	18.73	15.14	23.99	22.14	18.68	15.09	24.25	22.40	18.94	15.35	23.97	22.12	18.66	15.07	23.73	21.87	18.41	14.83	24.89	23.03	19.57	15.99	
	KW	2.28	2.27	2.27	2.29	2.56	2.56	2.56	2.58	2.88	2.88	2.88	2.90	3.23	3.23	3.23	3.25	3.62	3.62	3.61	3.64	4.08	4.08	4.07	4.09	
	Amps	8.47	8.46	8.44	8.54	9.73	9.72	9.69	9.79	11.12	11.11	11.09	11.19	12.64	12.63	12.61	12.70	14.33	14.32	14.30	14.39	16.31	16.30	16.28	16.37	
	Hi PR	268.59	269.75	271.64	276.31	310.91	312.08	313.96	318.64	355.25	356.42	358.30	362.98	403.00	404.16	406.05	410.72	454.48	455.64	457.53	462.20	509.41	510.57	512.46	517.14	
	Lo PR	121.18	122.67	125.75	130.91	128.54	130.04	133.12	138.27	134.99	136.49	139.57	144.72	140.44	141.94	145.02	150.18	145.80	147.29	150.37	155.53	152.50	153.99	157.08	162.23	
	MBh	42.45	43.04	44.30	46.21	42.08	42.67	43.92	45.83	40.98	41.58	42.83	44.74	39.10	39.69	40.95	42.86	36.80	37.40	38.65	40.56	34.70	35.30	36.55	38.46	
	S/T	0.78	0.71	0.57	0.43	0.79	0.71	0.58	0.44	1.00	0.74	0.60	0.46	1.00	0.76	0.62	0.48	1.00	0.78	0.64	0.50	1.00	1.00	0.69	0.55	
	ΔT	23.00	21.14	17.68	14.10	22.95	21.09	17.63	14.05	23.21	21.35	17.89	14.31	22.93	21.07	17.61	14.03	22.68	20.83	17.36	13.78	23.84	21.99	18.53	14.94	
75	KW	2.29	2.29	2.28	2.30	2.58	2.58	2.57	2.59	2.90	2.90	2.89	2.91	3.25	3.24	3.24	3.26	3.64	3.63	3.63	3.65	4.09	4.09	4.08	4.11	
	Amps	8.53	8.52	8.50	8.60	9.79	9.78	9.76	9.85	11.18	11.17	11.15	11.25	12.70	12.69	12.67	12.76	14.39	14.38	14.36	14.45	16.37	16.36	16.34	16.44	
	Hi PR	270.73	271.89	273.78	278.45	313.05	314.22	316.10	320.78	357.39	358.56	360.44	365.12	405.14	406.30	408.19	412.86	456.62	457.78	459.67	464.34	511.55	512.71	514.60	519.28	
	Lo PR	122.86	124.35	127.43	132.59	130.22	131.72	134.80	139.95	136.67	138.17	141.25	146.40	142.12	143.62	146.70	151.86	147.48	148.97	152.05	157.21	154.18	155.67	158.76	163.91	
	MBh	43.07	43.66	44.91	46.82	42.70	43.29	44.54	46.45	41.60	42.19	43.45	45.36	39.72	40.31	41.56	43.47	37.42	38.01	39.26	41.18	35.32	35.91	37.17	39.08	
	S/T	0.81	0.74	0.60	0.46	0.82	0.74	0.61	0.47	1.00	0.77	0.64	0.50	1.00	0.79	0.65	0.51	1.00	0.81	0.68	0.54	1.00	1.00	0.73	0.59	
	ΔT	22.11	20.25	16.79	13.21	22.05	20.20	16.74	13.16	22.31	20.46	17.00	13.42	22.04	20.18	16.72	13.14	21.79	19.93	16.47	12.89	22.95	21.09	17.63	14.05	
	1330	KW	2.30	2.30	2.29	2.32	2.59	2.59	2.58	2.60	2.91	2.91	2.90	2.93	3.26	3.26	3.25	3.27	3.65	3.65	3.64	3.66	4.10	4.10	4.10	4.12
		Amps	8.59	8.58	8.55	8.65	9.84	9.83	9.81	9.90	11.24	11.23	11.20	11.30	12.75	12.74	12.72	12.81	14.44	14.43	14.41	14.50	16.42	16.41	16.39	16.49
		Hi PR	272.81	273.97	275.86	280.54	315.13	316.30	318.18	322.86	359.47	360.64	362.52	367.20	407.22	408.38	410.27	414.94	458.70	459.86	461.75	466.42	513.63	514.79	516.68	521.36
Lo PR		124.70	126.20	129.28	134.44	132.07	133.56	136.65	141.80	138.52	140.01	143.10	148.25	143.97	145.47	148.55	153.71	149.32	150.82	153.90	159.06	156.03	157.52	160.60	165.76	

Shaded area reflects AHRH (TVA) conditions.
 IDB = Entering Indoor Dry Bulb Temperature
 High and low pressures are measured at the liquid and suction access fittings.
 Design Subcooling, 5-7 °F @ the liquid access fitting connection ARI 95 test conditions. Design Superheat, 15-18°F @ the compressor suction access fitting connection.
 Amps: Unit amps (comp.+ evaporator + condenser fan motors)
 KW = Total system power

IDB	AIRFLOW	OUTDOOR AMBIENT TEMPERATURE												ENTERING INDOOR WET BULB TEMPERATURE											
		65				75				85				95				105				115			
		59	63	67	71	59	63	67	71	59	63	67	71	59	63	67	71	59	63	67	71	59	63	67	71
80	Mbh	42.15	42.74	43.99	45.90	41.77	42.37	43.62	45.53	40.68	41.27	42.52	44.43	38.80	39.39	40.64	42.55	36.50	37.09	38.34	40.25	34.40	34.99	36.24	38.15
	S/T	0.85	0.77	0.64	0.50	1.00	0.78	0.65	0.51	1.00	0.81	0.67	0.53	1.00	0.82	0.69	0.55	1.00	1.00	0.71	0.57	1.00	1.00	0.76	0.62
	ΔT	28.15	26.29	22.83	19.25	28.10	26.24	22.78	19.20	28.36	26.50	23.04	19.46	28.08	26.22	22.76	19.18	27.83	25.98	22.51	18.93	28.99	27.14	23.67	20.09
	KW	2.28	2.27	2.27	2.29	2.56	2.56	2.56	2.58	2.89	2.88	2.88	2.90	3.23	3.23	3.23	3.25	3.62	3.62	3.62	3.64	4.08	4.08	4.07	4.09
	Amps	8.48	8.47	8.45	8.54	9.73	9.72	9.70	9.80	11.13	11.12	11.10	11.20	12.64	12.63	12.61	12.71	14.33	14.32	14.30	14.40	16.32	16.31	16.29	16.38
	Hi PR	269.08	270.25	272.13	276.81	311.41	312.57	314.46	319.13	355.75	356.91	358.80	363.47	403.49	404.66	406.54	411.22	454.97	456.13	458.02	462.69	509.90	511.07	512.95	517.63
	Lo PR	121.71	123.21	126.29	131.44	129.08	130.57	133.65	138.81	135.53	137.02	140.10	145.26	140.98	142.48	145.56	150.71	146.33	147.83	150.91	156.06	153.03	154.53	157.61	162.77
	Mbh	42.67	43.26	44.51	46.42	42.29	42.89	44.14	46.05	41.20	41.79	43.04	44.95	39.32	39.91	41.16	43.07	37.02	37.61	38.86	40.77	34.92	35.51	36.76	38.67
	S/T	1.00	0.83	0.70	0.56	1.00	0.84	0.70	0.56	1.00	0.86	0.73	0.59	1.00	0.88	0.75	0.61	1.00	1.00	0.77	0.63	1.00	1.00	0.82	0.68
	ΔT	27.10	25.25	21.78	18.20	27.05	25.19	21.73	18.15	27.31	25.46	21.99	18.41	27.03	25.18	21.72	18.13	26.78	24.93	21.47	17.88	27.94	26.09	22.63	19.04
KW	2.29	2.29	2.28	2.31	2.58	2.58	2.57	2.59	2.90	2.90	2.89	2.92	3.25	3.25	3.24	3.26	3.64	3.63	3.63	3.65	4.09	4.09	4.09	4.11	
Amps	8.54	8.53	8.51	8.61	9.79	9.78	9.76	9.86	11.19	11.18	11.16	11.26	12.70	12.69	12.67	12.77	14.39	14.38	14.36	14.46	16.38	16.37	16.35	16.44	
Hi PR	271.22	272.39	274.27	278.95	313.55	314.71	316.60	321.27	357.89	359.05	360.94	365.61	405.63	406.80	408.68	413.36	457.11	458.27	460.16	464.83	512.04	513.21	515.09	519.77	
Lo PR	123.39	124.89	127.97	133.12	130.76	132.25	135.33	140.49	137.21	138.70	141.78	146.94	142.66	144.15	147.24	152.39	148.01	149.51	152.59	157.74	154.71	156.21	159.29	164.45	
85	Mbh	43.29	43.88	45.13	47.04	42.91	43.50	44.76	46.67	41.82	42.41	43.66	45.57	39.94	40.53	41.78	43.69	37.64	38.23	39.48	41.39	35.54	36.13	37.38	39.29
	S/T	1.00	0.86	0.73	0.59	1.00	0.87	0.73	0.59	1.00	0.89	0.76	0.62	1.00	1.00	0.78	0.64	1.00	1.00	0.80	0.66	1.00	1.00	0.85	0.71
	ΔT	26.21	24.35	20.89	17.31	26.16	24.30	20.84	17.26	26.42	24.56	21.10	17.52	26.14	24.28	20.82	17.24	25.89	24.04	20.58	16.99	27.05	25.20	21.74	18.15
	KW	2.30	2.30	2.30	2.32	2.59	2.59	2.58	2.61	2.91	2.91	2.91	2.93	3.26	3.26	3.25	3.28	3.65	3.65	3.64	3.66	4.11	4.10	4.10	4.12
	Amps	8.59	8.58	8.56	8.66	9.84	9.83	9.81	9.91	11.24	11.23	11.21	11.31	12.76	12.75	12.72	12.82	14.45	14.44	14.41	14.51	16.43	16.42	16.40	16.49
	Hi PR	273.30	274.47	276.35	281.03	315.63	316.79	318.68	323.35	359.97	361.13	363.02	367.69	407.71	408.88	410.76	415.44	459.19	460.35	462.24	466.91	514.13	515.29	517.17	521.85
	Lo PR	125.24	126.73	129.82	134.97	132.60	134.10	137.18	142.34	139.05	140.55	143.63	148.79	144.51	146.00	149.09	154.24	149.86	151.36	154.44	159.59	156.56	158.06	161.14	166.29
	Mbh	42.86	43.45	44.70	46.61	42.48	43.07	44.32	46.23	41.39	41.98	43.23	45.14	39.51	40.10	41.35	43.26	37.21	37.80	39.05	40.96	35.11	35.70	36.95	38.86
	S/T	1.00	0.87	0.74	0.60	1.00	0.88	0.75	0.61	1.00	1.00	0.77	0.63	1.00	1.00	0.79	0.65	1.00	1.00	0.81	0.67	1.00	1.00	1.00	0.72
	ΔT	31.78	29.93	26.47	22.89	31.73	29.88	26.42	22.83	31.99	30.14	26.68	23.10	31.71	29.86	26.40	22.82	31.47	29.61	26.15	22.57	32.63	30.77	27.31	23.73
KW	2.28	2.28	2.28	2.30	2.57	2.57	2.56	2.59	2.89	2.89	2.88	2.91	3.24	3.24	3.23	3.25	3.63	3.63	3.62	3.64	4.08	4.08	4.08	4.10	
Amps	8.50	8.49	8.47	8.57	9.76	9.75	9.73	9.82	11.15	11.14	11.12	11.22	12.67	12.66	12.64	12.73	14.36	14.35	14.33	14.42	16.34	16.33	16.31	16.41	
Hi PR	270.35	271.51	273.40	278.07	312.67	313.83	315.72	320.39	357.01	358.17	360.06	364.73	404.75	405.92	407.80	412.48	456.23	457.39	459.28	463.96	511.17	512.33	514.22	518.89	
Lo PR	123.53	125.02	128.10	133.26	130.89	132.39	135.47	140.62	137.34	138.84	141.92	147.07	142.79	144.29	147.37	152.53	148.15	149.64	152.72	157.88	154.85	156.34	159.43	164.58	
1050	Mbh	43.38	43.97	45.22	47.13	43.00	43.59	44.84	46.75	41.91	42.50	43.75	45.66	40.03	40.62	41.87	43.78	37.73	38.32	39.57	41.48	35.63	36.22	37.47	39.38
	S/T	1.00	0.93	0.80	0.66	1.00	0.93	0.80	0.66	1.00	1.00	0.83	0.69	1.00	1.00	0.85	0.70	1.00	1.00	0.87	0.73	1.00	1.00	1.00	0.78
	ΔT	30.74	28.88	25.42	21.84	30.69	28.83	25.37	21.79	30.95	29.09	25.63	22.05	30.67	28.81	25.35	21.77	30.42	28.57	25.11	21.52	31.58	29.73	26.27	22.68
	KW	2.30	2.29	2.29	2.31	2.58	2.58	2.58	2.60	2.91	2.90	2.90	2.92	3.25	3.25	3.25	3.27	3.64	3.64	3.64	3.66	4.10	4.10	4.09	4.11
	Amps	8.56	8.56	8.53	8.63	9.82	9.81	9.79	9.88	11.22	11.21	11.18	11.28	12.73	12.72	12.70	12.79	14.42	14.41	14.39	14.48	16.40	16.39	16.37	16.47
	Hi PR	272.49	273.65	275.54	280.21	314.81	315.97	317.86	322.53	359.15	360.31	362.20	366.87	406.89	408.06	409.94	414.62	458.37	459.53	461.42	466.10	513.31	514.47	516.36	521.03
	Lo PR	125.21	126.70	129.78	134.94	132.57	134.07	137.15	142.30	139.02	140.52	143.60	148.75	144.47	145.97	149.05	154.21	149.83	151.32	154.40	159.56	156.53	158.02	161.11	166.26
	Mbh	43.99	44.59	45.84	47.75	43.62	44.21	45.46	47.37	42.53	43.12	44.37	46.28	40.64	41.24	42.49	44.40	38.34	38.94	40.19	42.10	36.25	36.84	38.09	40.00
	S/T	1.00	0.96	0.83	0.69	1.00	1.00	0.83	0.69	1.00	1.00	0.86	0.72	1.00	1.00	0.88	0.74	1.00	1.00	0.90	0.76	1.00	1.00	1.00	0.81
	ΔT	29.85	27.99	24.53	20.95	29.80	27.94	24.48	20.90	30.06	28.20	24.74	21.16	29.78	27.92	24.46	20.88	29.53	27.68	24.22	20.63	30.69	28.84	25.38	21.79
KW	2.31	2.31	2.30	2.32	2.60	2.59	2.59	2.61	2.92	2.92	2.91	2.93	3.27	3.26	3.26	3.28	3.65	3.65	3.65	3.67	4.11	4.11	4.10	4.13	
Amps	8.62	8.61	8.59	8.68	9.87	9.86	9.84	9.93	11.27	11.26	11.24	11.33	12.78	12.77	12.75	12.84	14.47	14.46	14.44	14.53	16.45	16.44	16.42	16.52	
Hi PR	274.57	275.73	277.62	282.29	316.89	318.05	319.94	324.61	361.23	362.39	364.28	368.95	408.97	410.14	412.02	416.70	460.45	461.62	463.50	468.18	515.39	516.55	518.44	523.11	
Lo PR	127.05	128.55	131.63	136.79	134.42	135.91	139.00	144.15	140.87	142.36	145.45	150.60	146.32	147.82	150.90	156.05	151.67	153.17	156.25	161.41	158.38	159.87	162.95	168.11	

IDB	AIRFLOW	OUTDOOR AMBIENT TEMPERATURE												ENTERING INDOOR WET BULB TEMPERATURE											
		65				75				85				95				105				115			
		59	63	67	71	59	63	67	71	59	63	67	71	59	63	67	71	59	63	67	71	59	63	67	71
1190	Mbh	42.86	43.45	44.70	46.61	42.48	43.07	44.32	46.23	41.39	41.98	43.23	45.14	39.51	40.10	41.35	43.26	37.21	37.80	39.05	40.96	35.11	35.70	36.95	38.86
	S/T	1.00	0.87	0.74	0.60	1.00	0.88	0.75	0.61	1.00	1.00	0.77	0.63	1.00	1.00	0.79	0.65	1.00	1.00	0.81	0.67	1.00	1.00	1.00	0.72
	ΔT	31.78	29.93	26.47	22.89	31.73	29.88	26.42	22.83	31.99	30.14	26.68	23.10	31											

EXPANDED HEATING DATA

GPHH52441

	OUTDOOR AMBIENT TEMPERATURE																
	65	60	55	50	47	45	40	35	30	25	20	17	15	10	5	0	-5
MBh	29.83	27.86	25.92	24.02	22.80	21.89	19.59	17.47	15.75	14.47	13.51	13.00	12.35	10.71	9.08	7.45	5.81
T/R	30.35	28.62	26.89	25.17	24.13	23.16	20.73	18.49	16.67	15.31	14.30	13.76	13.07	11.34	9.61	7.88	6.15
kW	1.97	1.92	1.88	1.83	1.81	1.79	1.74	1.70	1.65	1.61	1.56	1.54	1.52	1.47	1.43	1.38	1.34
Amps	7.17	6.97	6.78	6.58	6.46	6.39	6.19	5.99	5.80	5.60	5.41	5.29	5.21	5.02	4.82	4.63	4.43
COP	4.44	4.25	4.05	3.84	3.70	3.59	3.29	3.02	2.79	2.64	2.53	2.48	2.38	2.13	1.86	1.58	1.27
HI PR	393.02	380.24	367.45	354.67	347.00	341.89	329.10	316.32	303.54	290.75	277.97	270.30	265.19	252.40	239.62	226.84	214.05
LO PR	140.46	131.72	122.98	114.24	109.00	105.50	96.77	88.03	79.29	70.55	61.81	56.57	53.07	44.33	35.59	26.86	18.12

GPHH53041

	OUTDOOR AMBIENT TEMPERATURE																
	65	60	55	50	47	45	40	35	30	25	20	17	15	10	5	0	-5
MBh	36.66	34.14	31.63	29.17	27.60	26.39	23.37	20.64	18.41	16.74	15.48	14.80	13.95	11.81	9.68	7.55	5.41
T/R	31.11	29.23	27.35	25.47	24.34	23.27	20.61	18.20	16.24	14.76	13.65	13.05	12.30	10.42	8.54	6.65	4.77
kW	2.85	2.75	2.64	2.54	2.48	2.44	2.34	2.24	2.13	2.03	1.93	1.87	1.83	1.73	1.63	1.52	1.42
Amps	10.72	10.27	9.83	9.39	9.12	8.94	8.50	8.06	7.62	7.17	6.73	6.46	6.29	5.84	5.40	4.96	4.51
COP	3.77	3.64	3.51	3.36	3.26	3.17	2.93	2.70	2.53	2.41	2.35	2.32	2.23	2.00	1.75	1.45	1.12
HI PR	406.61	393.39	380.16	366.94	359.00	353.71	340.48	327.26	314.03	300.81	287.58	279.65	274.36	261.13	247.91	234.68	221.45
LO PR	132.73	124.47	116.21	107.95	103.00	99.70	91.44	83.18	74.92	66.67	58.41	53.45	50.15	41.89	33.63	25.38	17.12

GPHH53641

	OUTDOOR AMBIENT TEMPERATURE																
	65	60	55	50	47	45	40	35	30	25	20	17	15	10	5	0	-5
MBh	42.16	39.37	36.62	33.93	32.20	30.91	27.64	24.64	22.20	20.38	19.03	18.30	17.37	15.06	12.74	10.42	8.11
T/R	31.28	29.50	27.71	25.92	24.85	23.85	21.33	19.02	17.13	15.73	14.68	14.12	13.41	11.62	9.83	8.04	6.25
kW	2.66	2.62	2.59	2.55	2.52	2.51	2.47	2.43	2.39	2.35	2.32	2.29	2.28	2.24	2.20	2.16	2.12
Amps	9.67	9.50	9.33	9.17	9.07	9.00	8.83	8.66	8.50	8.33	8.16	8.06	7.99	7.83	7.66	7.49	7.32
COP	4.64	4.40	4.15	3.90	3.74	3.61	3.28	2.97	2.72	2.54	2.41	2.34	2.24	1.97	1.70	1.41	1.12
HI PR	371.50	359.42	347.33	335.25	328.00	323.17	311.08	299.00	286.92	274.83	262.75	255.50	250.67	238.58	226.50	214.41	202.33
LO PR	139.17	130.51	121.85	113.20	108.00	104.54	95.88	87.22	78.56	69.90	61.24	56.05	52.58	43.93	35.27	26.61	17.95

GPHH54241

HIGH STAGE

	OUTDOOR AMBIENT TEMPERATURE																
	65	60	55	50	47	45	40	35	30	25	20	17	15	10	5	0	-5
MBh	48.42	45.28	42.19	39.15	37.20	35.76	32.10	28.72	25.97	23.93	22.41	21.60	20.56	17.96	15.36	12.76	10.16
T/R	33.16	31.31	29.46	27.61	26.50	25.47	22.86	20.46	18.50	17.04	15.96	15.38	14.64	12.79	10.94	9.09	7.24
kW	3.25	3.21	3.16	3.12	3.09	3.07	3.02	2.98	2.93	2.89	2.84	2.81	2.80	2.75	2.70	2.66	2.61
Amps	12.08	11.88	11.68	11.49	11.37	11.29	11.09	10.89	10.69	10.49	10.29	10.17	10.09	9.89	9.69	9.49	9.29
COP	4.36	4.14	3.91	3.68	3.53	3.41	3.11	2.83	2.60	2.43	2.31	2.25	2.16	1.91	1.67	1.41	1.14
EER	399.82	386.81	373.81	360.80	353.00	347.80	334.79	321.79	308.78	295.78	282.78	274.97	269.77	256.77	243.76	230.76	217.75
HI PR	134.02	125.68	117.34	109.00	104.00	100.66	92.33	83.99	75.65	67.31	58.98	53.97	50.64	42.30	33.96	25.62	17.29
LO PR	143	133	125	114	108	104	96	85	77	69	60	56	54	46	39	33	29

Calculations are based on nominal CFM and 70 °F indoor dry bulb.

Amps = Outdoor unit amps (comp.+fan) motor)

Note: Shaded area is AHRI Rating Conditions at 47°F outdoor ambient temperature

kW = Total system power

GGPHH54241

LOW STAGE

	OUTDOOR AMBIENT TEMPERATURE																
	65	60	55	50	47	45	40	35	30	25	20	17	15	10	5	0	-5
MBh	35.64	33.21	30.92	28.42	26.84	25.59	22.50	19.73	17.48	15.78	14.49	13.79	12.92	10.75	8.57	6.40	4.22
T/R	30.54	28.63	26.71	24.79	23.64	22.54	19.83	17.38	15.40	13.90	12.76	12.15	11.38	9.47	7.55	5.64	3.72
kW	1.99	1.93	1.88	1.82	1.78	1.76	1.70	1.65	1.59	1.53	1.47	1.44	1.41	1.36	1.30	1.24	1.18
Amps	7.00	6.74	6.49	6.24	6.09	5.99	5.74	5.49	5.23	4.98	4.73	4.58	4.48	4.23	3.98	3.72	3.47
COP	5.24	5.03	4.83	4.58	4.41	4.26	3.87	3.51	3.23	3.02	2.88	2.81	2.68	2.32	1.94	1.51	1.05
HI PR	387.48	374.87	362.27	349.67	342.10	337.06	324.46	311.86	299.25	286.65	274.05	266.49	261.44	248.84	236.24	223.63	211.03
LO PR	131.66	123.47	115.28	107.09	102.17	98.90	90.70	82.51	74.32	66.13	57.94	53.02	49.75	41.56	33.36	25.17	16.98

GP HH54841

HIGH STAGE

	OUTDOOR AMBIENT TEMPERATURE																
	65	60	55	50	47	45	40	35	30	25	20	17	15	10	5	0	-5
MBh	56.16	52.62	49.13	45.70	43.50	41.90	37.80	34.00	30.89	28.59	26.91	26.00	24.83	21.92	19.00	16.08	13.17
T/R	31.25	29.56	27.88	26.19	25.18	24.25	21.88	19.68	17.88	16.55	15.57	15.05	14.37	12.68	10.99	9.31	7.62
kW	3.76	3.71	3.67	3.62	3.59	3.57	3.53	3.48	3.43	3.39	3.34	3.31	3.29	3.25	3.20	3.16	3.11
Amps	13.80	13.60	13.40	13.20	13.08	12.99	12.79	12.59	12.39	12.19	11.99	11.87	11.79	11.58	11.38	11.18	10.98
COP	4.38	4.15	3.93	3.70	3.55	3.44	3.14	2.86	2.64	2.47	2.36	2.30	2.21	1.98	1.74	1.49	1.24
HI PR	391.89	379.14	366.39	353.65	346.00	340.90	328.15	315.41	302.66	289.91	277.17	269.52	264.42	251.67	238.93	226.18	213.43
LO PR	131.44	123.26	115.08	106.91	102.00	98.73	90.55	82.37	74.20	66.02	57.84	52.93	49.66	41.49	33.31	25.13	16.95

GP HH54841

LOW STAGE

	OUTDOOR AMBIENT TEMPERATURE																
	65	60	55	50	47	45	40	35	30	25	20	17	15	10	5	0	-5
MBh	41.68	38.83	36.03	33.19	31.38	29.97	26.49	23.34	20.77	18.85	17.38	16.60	15.61	13.15	10.69	8.22	5.76
T/R	33.01	30.99	28.97	26.95	25.74	24.58	21.72	19.14	17.04	15.46	14.26	13.61	12.81	10.78	8.76	6.74	4.72
kW	2.30	2.24	2.18	2.11	2.07	2.05	1.99	1.92	1.86	1.79	1.73	1.69	1.67	1.60	1.54	1.48	1.41
Amps	8.23	7.95	7.67	7.40	7.23	7.12	6.84	6.56	6.29	6.01	5.73	5.57	5.45	5.18	4.90	4.62	4.35
COP	5.30	5.08	4.85	4.60	4.43	4.29	3.91	3.56	3.28	3.08	2.94	2.88	2.75	2.40	2.03	1.63	1.20
HI PR	379.79	367.44	355.09	342.73	335.32	330.38	318.03	305.67	293.32	280.97	268.61	261.20	256.26	243.91	231.55	219.20	206.85
LO PR	129.13	121.10	113.06	105.03	100.21	96.99	88.96	80.93	72.89	64.86	56.82	52.00	48.79	40.76	32.72	24.69	16.66

GP HH56041

HIGH STAGE

	OUTDOOR AMBIENT TEMPERATURE																
	65	60	55	50	47	45	40	35	30	25	20	17	15	10	5	0	-5
MBh	69.97	65.64	61.38	57.20	54.50	52.55	47.59	42.94	39.14	36.34	34.30	33.20	31.78	28.23	24.68	21.13	17.58
T/R	36.65	34.71	32.78	30.85	29.69	28.63	25.92	23.39	21.32	19.79	18.68	18.08	17.31	15.38	13.44	11.51	9.57
kW	4.61	4.55	4.49	4.43	4.40	4.38	4.32	4.26	4.20	4.15	4.09	4.05	4.03	3.97	3.92	3.86	3.80
Amps	17.34	17.09	16.83	16.58	16.43	16.33	16.08	15.83	15.58	15.33	15.08	14.93	14.83	14.58	14.33	14.08	13.83
COP	4.45	4.23	4.00	3.78	3.63	3.52	3.23	2.95	2.73	2.57	2.46	2.40	2.31	2.08	1.85	1.61	1.36
HI PR	397.55	384.62	371.69	358.76	351.00	345.83	332.90	319.97	307.04	294.10	281.17	273.41	268.24	255.31	242.38	229.45	216.52
LO PR	122.42	114.80	107.19	99.57	95.00	91.95	84.34	76.72	69.10	61.49	53.87	49.30	46.26	38.64	31.02	23.41	15.79

GP HH56041

LOW STAGE

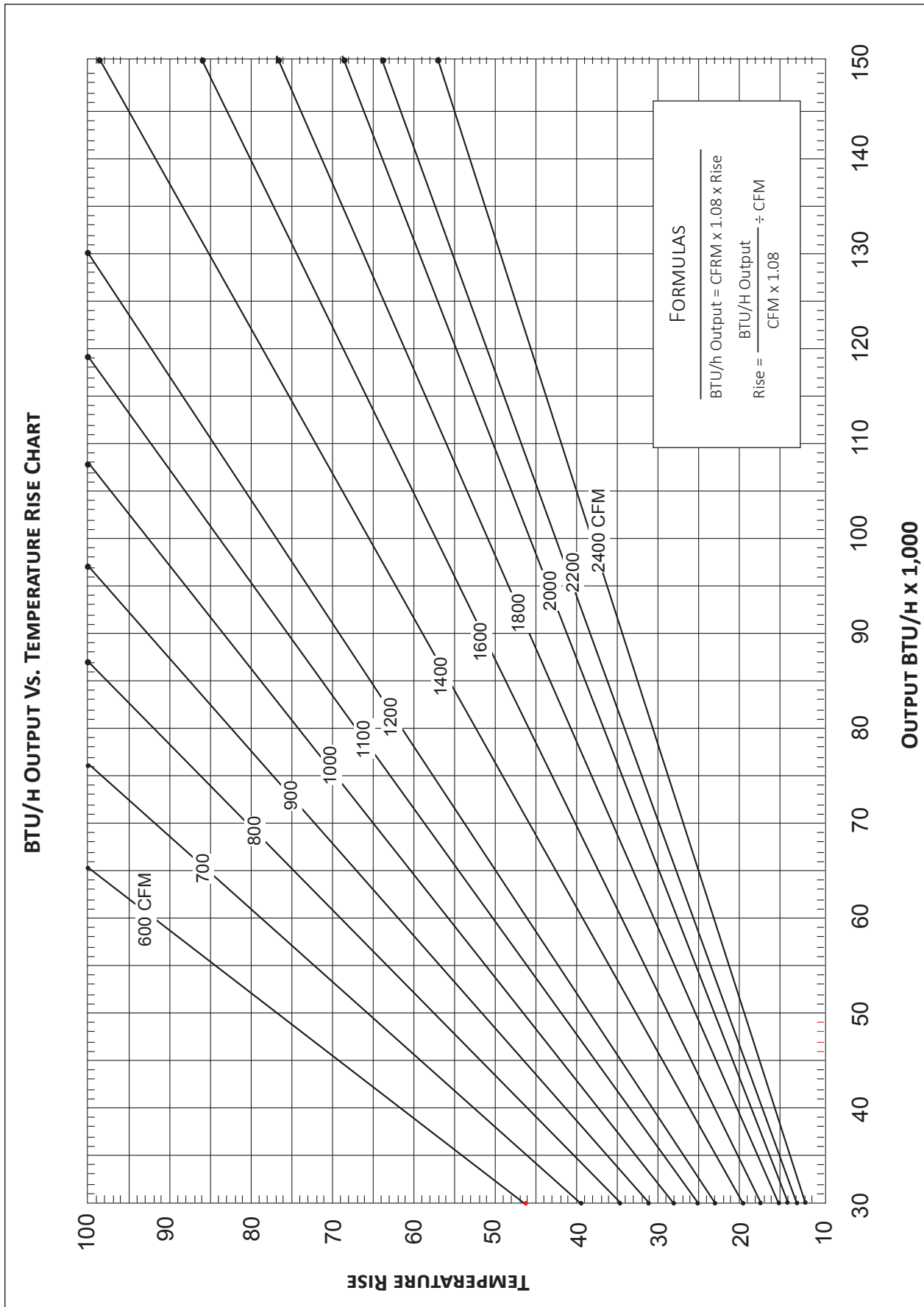
	OUTDOOR AMBIENT TEMPERATURE																
	65	60	55	50	47	45	40	35	30	25	20	17	15	10	5	0	-5
MBh	52.20	48.58	45.03	41.54	39.32	37.60	33.33	29.46	26.31	23.94	22.15	21.20	19.99	16.97	13.95	10.93	7.91
T/R	34.25	32.19	30.13	28.07	26.83	25.66	22.74	20.10	17.95	16.34	15.12	14.46	13.64	11.58	9.52	7.46	5.39
kW	2.82	2.75	2.67	2.59	2.54	2.51	2.43	2.35	2.28	2.20	2.12	2.07	2.04	1.96	1.88	1.80	1.73
Amps	10.13	9.79	9.45	9.10	8.90	8.76	8.42	8.08	7.74	7.40	7.05	6.85	6.71	6.37	6.03	5.69	5.35
COP	5.42	5.18	4.95	4.70	4.53	4.39	4.02	3.67	3.39	3.19	3.07	3.00	2.87	2.54	2.17	1.78	1.34
HI PR	385.28	372.75	360.22	347.69	340.17	335.15	322.62	310.09	297.56	285.03	272.49	264.98	259.96	247.43	234.90	222.37	209.84
LO PR	120.27	112.78	105.30	97.82	93.33	90.34	82.85	75.37	67.89	60.41	52.92	48.44	45.44	37.96	30.48	22.99	15.51

Calculations are based on nominal CFM and 70 °F indoor dry bulb.

Amps = Outdoor unit amps (comp.+fan) motor)

Note: Shaded area is AHRI Rating Conditions at 47°F outdoor ambient temperature

kW = Total system power



MODEL	SPEED*	VOLTS		E.S.P. (IN. OF H ₂ O)							
				0.10	0.20	0.30	0.40	0.50	0.60	0.70	0.80
GPHH52441**	T1	230	CFM Watts	914 69	866 80	818 91	770 102	722 114	674 125	626 136	578 147
	T2 / T3	230	CFM Watts	1138 139	1079 148	1030 159	978 168	922 178	858 189	799 197	735 206
	T4 / T5	230	CFM Watts	1231 168	1179 180	1127 193	1074 205	1022 218	969 230	917 243	865 255
GPHH52441**	T1	230	CFM Watts	1005 91	961 102	918 114	874 125	831 137	787 149	744 160	700 172
	T2 / T3	230	CFM Watts	1342 190	1288 200	1236 211	1185 221	1135 230	1082 240	1010 251	949 260
	T4 / T5	230	CFM Watts	1462 241	1409 253	1357 266	1305 278	1252 291	1200 303	1147 315	1095 328
GPHH53641**	T1	230	CFM Watts	1151 132	1097 144	1042 156	988 169	933 181	879 194	824 206	770 219
	T2 / T3	230	CFM Watts	1432 224	1377 235	1329 245	1282 255	1237 263	1188 271	1141 280	1092 288
	T4 / T5	230	CFM Watts	1577 277	1525 290	1472 302	1420 314	1367 327	1315 339	1263 352	1210 364
GPHH54241**	T1	230	CFM Watts	1208 150	1162 161	1114 171	1067 180	1023 188	978 197	928 205	868 215
	T2 / T3	230	CFM Watts	1535 277	1496 287	1453 297	1409 309	1367 318	1323 327	1282 336	1242 344
	T4 / T5	230	CFM Watts	1645 285	1602 297	1560 309	1517 321	1475 333	1433 346	1390 358	1347 370
GPHH54841**	T1	230	CFM Watts	1239 152	1184 163	1146 175	1091 184	1049 194	1001 205	948 220	890 235
	T2 / T3	230	CFM Watts	1837 408	1789 419	1748 432	1706 442	1665 454	1623 464	1577 471	1531 480
	T4 / T5	230	CFM Watts	2002 498	1935 521	1885 516	1827 534	1767 551	1732 567	1669 571	1618 574
GPHH56041**	T1	230	CFM Watts	1555 242	1485 248	1425 257	1375 264	1329 274	1277 284	1221 294	1167 305
	T2 / T3	230	CFM Watts	1986 472	1933 479	1874 488	1817 496	1770 503	1730 508	1689 515	1645 526
	T4 / T5	230	CFM Watts	2049 506	1948 522	1914 528	1851 548	1811 544	1770 548	1738 556	1685 568

- 1.Data shown is dry coil. Wet coil pressure drop is approx.
- 2.Data shown does not include filter pressure drop, approx. 0.08" H₂O.
- 3.Reduce airflow by 2% for 208V operation.
- 4.For high static applications, see blower performance table above for selecting appropriate speed tap.

HEAT KIT ELECTRICAL DATA (BLOWER ONLY, HEAT MODE)

MODEL AND HEAT KIT USAGE	CIRCUIT #1		CIRCUIT #2		SINGLE-POINT KIT		ACTUAL kW / BTU@ 240V
	MCA ¹	MOD ²	MCA ¹	MOD ²	MCA ¹	MOP ²	
GPHH52441**	4.3	---	---	---	--	--	---
HKP-05C*	21 / 25	25 / 25	---	---	46	50	4.75 / 16,200
HKR-08C*	32 / 36	35 / 40	---	---	58	60	7 / 23,800
HKP-10C*	43 / 49	45 / 50	---	---	71	80	9.5 / 32,400
GPHH53041**	4.3	---	---	---	--	--	---
HKP-05C*	21 / 25	25 / 25	---	---	48	50	4.75 / 16,200
HKR-08C*	32 / 36	35 / 40	---	---	60	60	7 / 23,800
HKP-10C*	43 / 49	45 / 50	---	---	73	80	9.5 / 32,400
HKP-15C*	43 / 49	45 / 50	21 / 25	25 / 25	97	100	14.25 / 48,600
GPHH53641**	4.3	---	---	---	--	--	---
HKP-05C*	21 / 25	25 / 25	---	---	51	60	4.75 / 16,200
HKR-08C*	32 / 36	35 / 40	---	---	63	70	7 / 23,800
HKP-10C*	43 / 49	45 / 50	---	---	76	80	9.5 / 32,400
HKP-15C*	43 / 49	45 / 50	21 / 25	25 / 25	101	110	14.25 / 48,600
GPHH54241**	4.3	---	---	---	--	--	---
HKP-05C*	21 / 25	25 / 25	---	---	53	60	4.75 / 16,200
HKR-08C*	32 / 36	35 / 40	---	---	65	70	7 / 23,800
HKP-10C*	43 / 49	45 / 50	---	---	78	80	9.5 / 32,400
HKP-15C*	43 / 49	45 / 50	21 / 25	25 / 25	102	110	14.25 / 48,600
HKP-20C	43 / 49	45 / 50	43 / 49	45 / 50	127	150	19.0 / 64,800
GPHH54841**	5.4	---	---	---	--	--	---
HKP-05C*	21 / 25	25 / 25	---	---	59	70	4.75 / 16,200
HKR-08C*	32 / 36	35 / 40	---	---	71	80	7 / 23,800
HKP-10C*	43 / 49	45 / 50	---	---	84	90	9.5 / 32,400
HKP-15C*	43 / 49	45 / 50	21 / 25	25 / 25	109	110	14.25 / 48,600
HKP-20C	43 / 49	45 / 50	43 / 49	45 / 50	134	150	19.0 / 64,800
GPHH56041**	6.8	---	---	---	--	--	---
HKP-05C*	21 / 25	25 / 25	---	---	59	70	4.75 / 16,200
HKR-08C*	32 / 36	35 / 40	---	---	71	80	7 / 23,800
HKP-10C*	43 / 49	45 / 50	---	---	84	90	9.5 / 32,400
HKP-15C*	43 / 49	45 / 50	21 / 25	25 / 25	109	110	14.25 / 48,600
HKP-20C	43 / 49	45 / 50	43 / 49	45 / 50	134	150	19.0 / 64,800
HKR-08C*	32 / 36	35 / 40	---	---	71	80	7 / 23,800
HKP-10C*	43 / 49	45 / 50	---	---	84	90	9.5 / 32,400
HKP-15C*	43 / 49	45 / 50	21 / 25	25 / 25	109	110	14.25 / 48,600
HKP-20C	43 / 49	45 / 50	43 / 49	45 / 50	134	150	19.0 / 64,800
GPH1660H41**	6.8	---	---	---	--	--	---
HKP-05C*	21 / 25	25 / 25	---	---	59	70	4.75 / 16,200
HKR-08C*	32 / 36	35 / 40	---	---	71	80	7 / 23,800
HKP-10C*	43 / 49	45 / 50	---	---	84	90	9.5 / 32,400
HKP-15C*	43 / 49	45 / 50	21 / 25	25 / 25	109	110	14.25 / 48,600
HKP-20C	43 / 49	45 / 50	43 / 49	45 / 50	134	150	19.0 / 64,800

¹ Minimum Circuit Ampacity @ 208 / 240 V

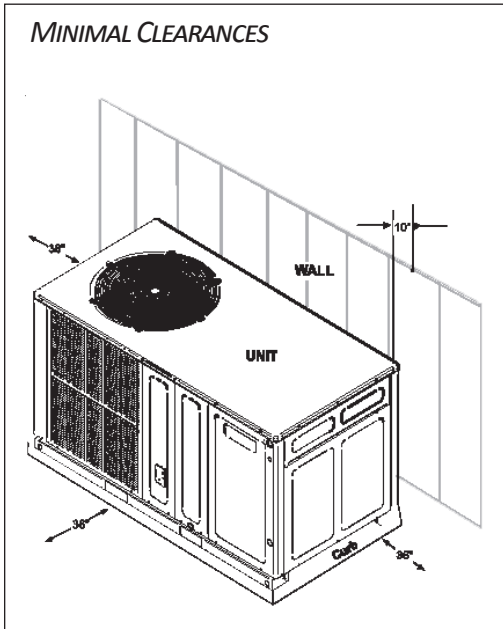
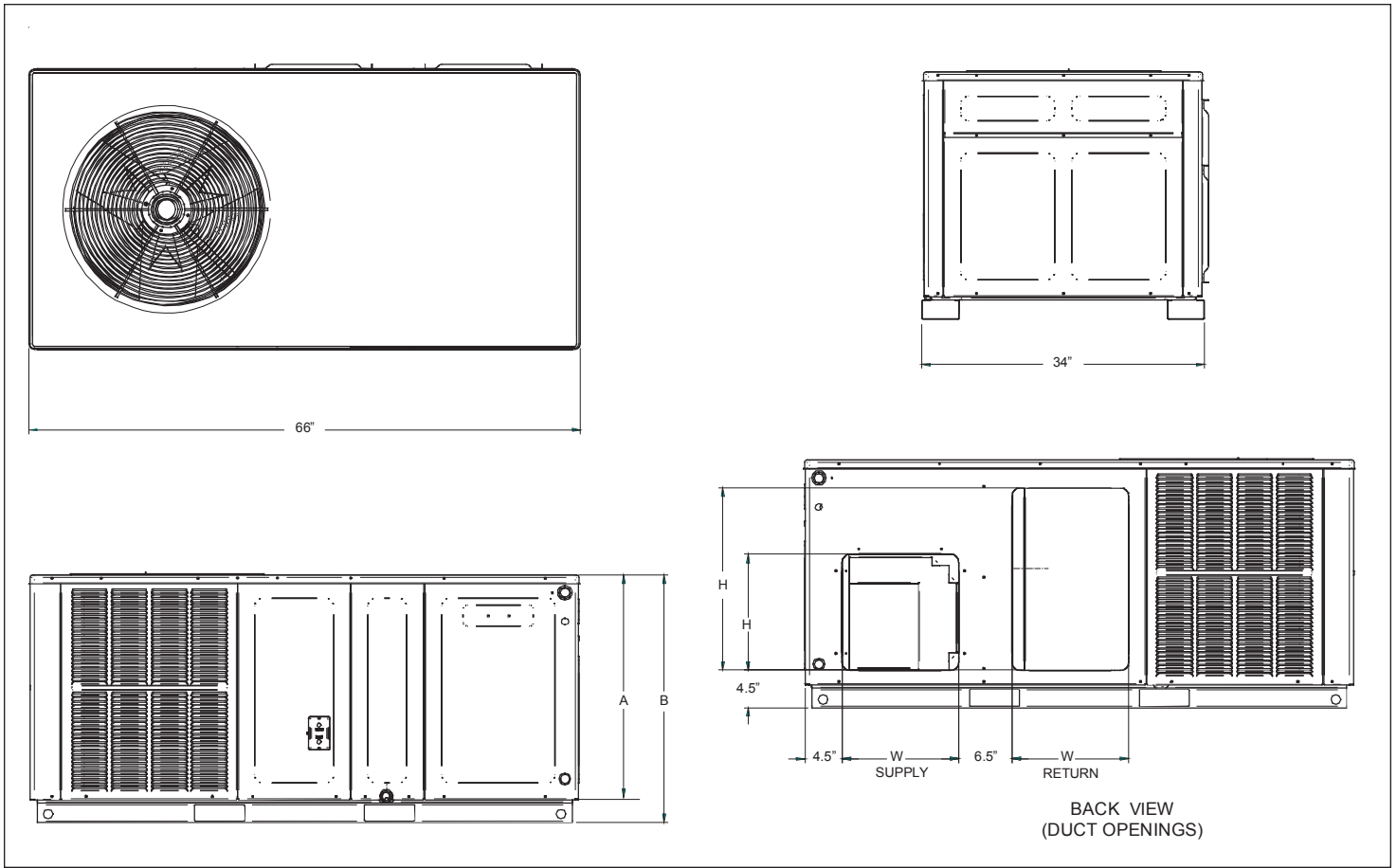
² Maximum Overcurrent Protection Device @ 208 / 240 V

* Revision level that may or may not be designated

C Circuit breaker option

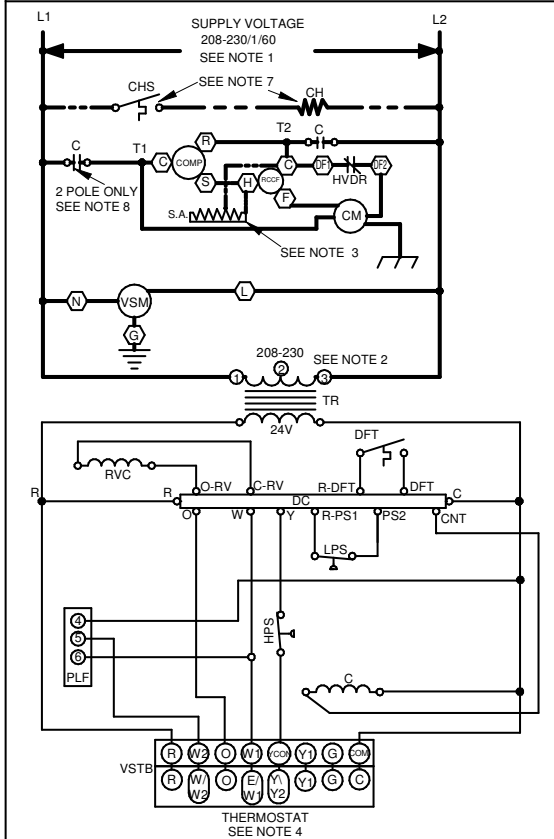
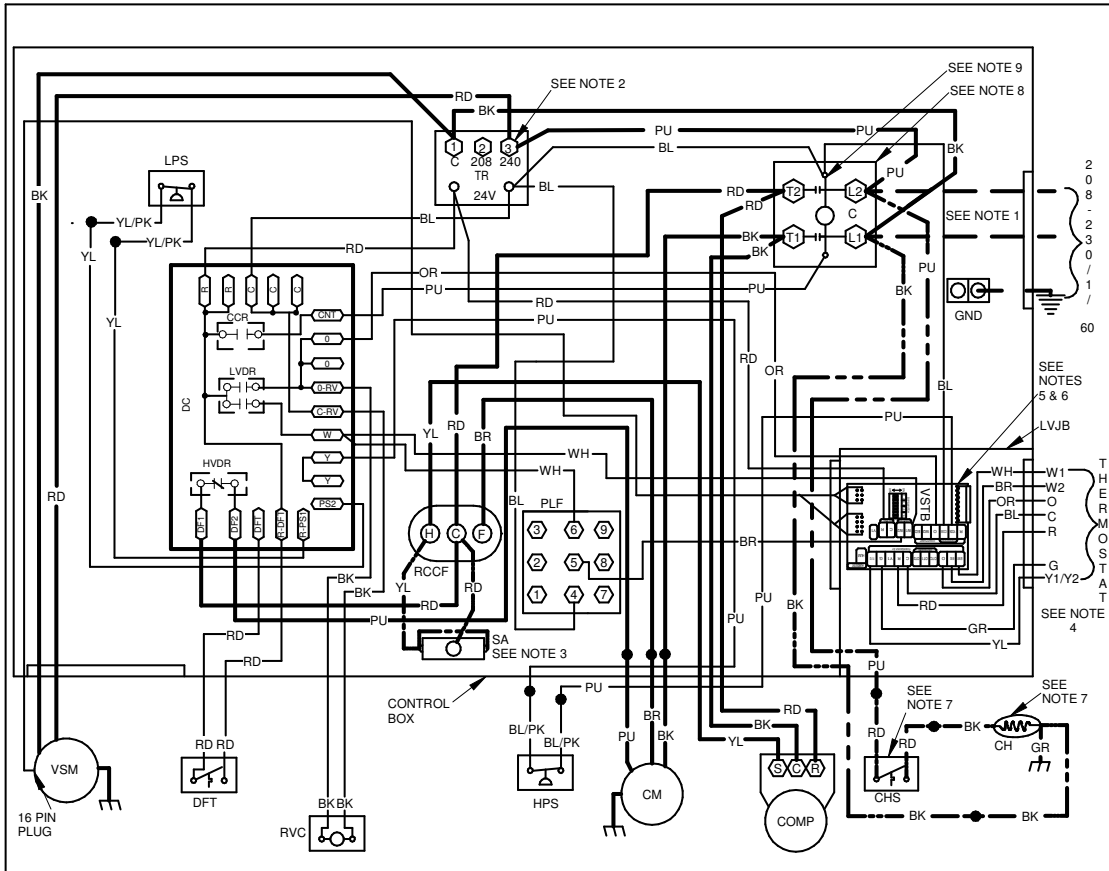
^ Heat Kit requires three-phase power supply

HKP-15C and HKP-20C replace HKR-15C and HKR-20C respectively to meet new UL1995 requirements.



MODEL	UNIT DIMENSIONS				CHASSIS SIZE
	W	D	HEIGHT		
			A	B	
GPHH52441**	66	34	271/2	30	Small
GPHH53041**	66	34	271/2	30	Small
GPHH53641**	66	34	321/2	35	Medium
GPHH54241**	66	34	321/2	35	Medium
GPHH54841**	66	34	321/2	35	Medium
GPHH56041**	66	34	36	381/2	Large

MODEL	DUCT OPENINGS			
	SUPPLY		RETURN	
	W	H	W	H
GPHH52441**	14	14	14	22
GPHH53041**	14	14	14	22
GPHH53641**	14	14	14	24
GPHH54241**	14	14	14	24
GPHH54841**	14	14	14	24
GPHH56041**	14	14	14	24



COMPONENT LEGEND


C	CONTACTOR	FACTORY WIRING
CCR	COMPRESSOR CONTACTOR RELAY	— LINE VOLTAGE
CH	CRANKCASE HEATER	— LOW VOLTAGE
CHS	CRANKCASE HEATER SWITCH	- - - OPTIONAL HIGH VOLTAGE
CM	CONDENSER MOTOR	
COMP	COMPRESSOR	FIELD WIRING
CSR	COMPRESSOR SOLENOID RELAY	— HIGH VOLTAGE
DC	DEFROST CONTROL	- - - LOW VOLTAGE
DFT	DEFROST THERMOSTAT	
GND	EQUIPMENT GROUND	WIRE CODE
HPS	HIGH PRESSURE SWITCH	BK BLACK
HVDR	HIGH VOLTAGE DEFROST RELAY	BL BLUE
LVDR	LOW VOLTAGE DEFROST RELAY	BR BROWN
LVJB	LOW VOLTAGE JUNCTION BOX	GR GREEN
PLF	FEMALE PLUG / CONNECTOR	OR ORANGE
RVC	REVERSING VALVE COIL	PU PURPLE
RCCF	RUN CAPACITOR FOR COMPRESSOR AND FAN	RD RED
SA	START ASSIST	WH WHITE
SOL	HI STAGE SOLENOID	YL YELLOW
TR	TRANSFORMER	
VSM	VARIABLE SPEED MOTOR	
VSTB	VARIABLE SPEED TERM BLOCK	

EQUIPMENT GROUND		FIELD GROUND	
JUNCTION		FIELD SPLICE	
TERMINAL		SWITCH (TEMP)	
INTERNAL TO INTEGRATED CONTROL		IGNITER	
PLUG CONNECTION		SWITCH (PRESS.)	
		OVERCURRENT PROT. DEVICE	

NOTES:

- REPLACEMENT WIRE MUST BE SAME SIZE AND TYPE INSULATION AS ORIGINAL (AT LEAST 105°C) USE COPPER CONDUCTOR ONLY.
- FOR 208 VOLT TRANSFORMER OPERATION MOVE PURPLE AND RED WIRES FROM TERMINAL 3 TO TERMINAL 2 ON TRANSFORMER.
- START ASSIST FACTOR EQUIPPED WHEN REQUIRED
- USE COPPER CONDUCTORS ONLY USE N.E.C. CLASS 2 WIRE
- SET DIP SWITCH 4 ON VSTB TO OFF POSITION
- REFER TO IO FOR FAN SPEED SETTINGS
- CRANKCASE HEATER AND CRANKCASE HEATER SWITCH FACTORY EQUIPPED WHEN REQUIRED.
- DOUBLE POLE CONTACTOR SHOWN. SINGLE POLE CONTACTOR COULD BE FACTORY EQUIPPED AS AN ALTERNATE CONFIGURATION.
- COMMON SIDE OF CONTACTOR CAN NOT BE GROUNDED OR CONNECTED TO ANY OTHER COMMON (24V).

SEE UNIT RATING PLATE FOR TYPE AND SIZE OF OVER CURRENT PROTECTION

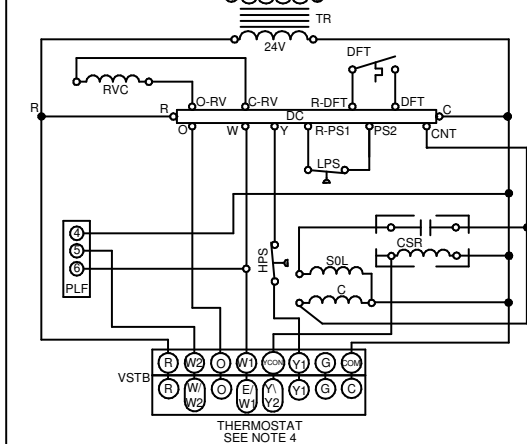
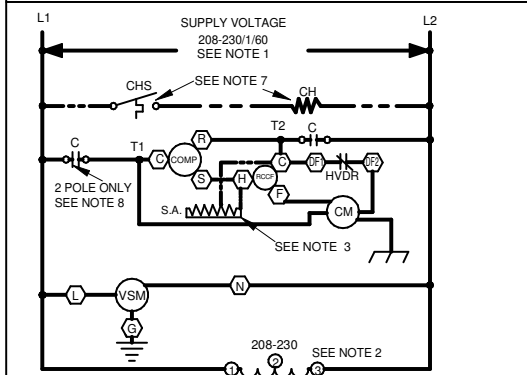
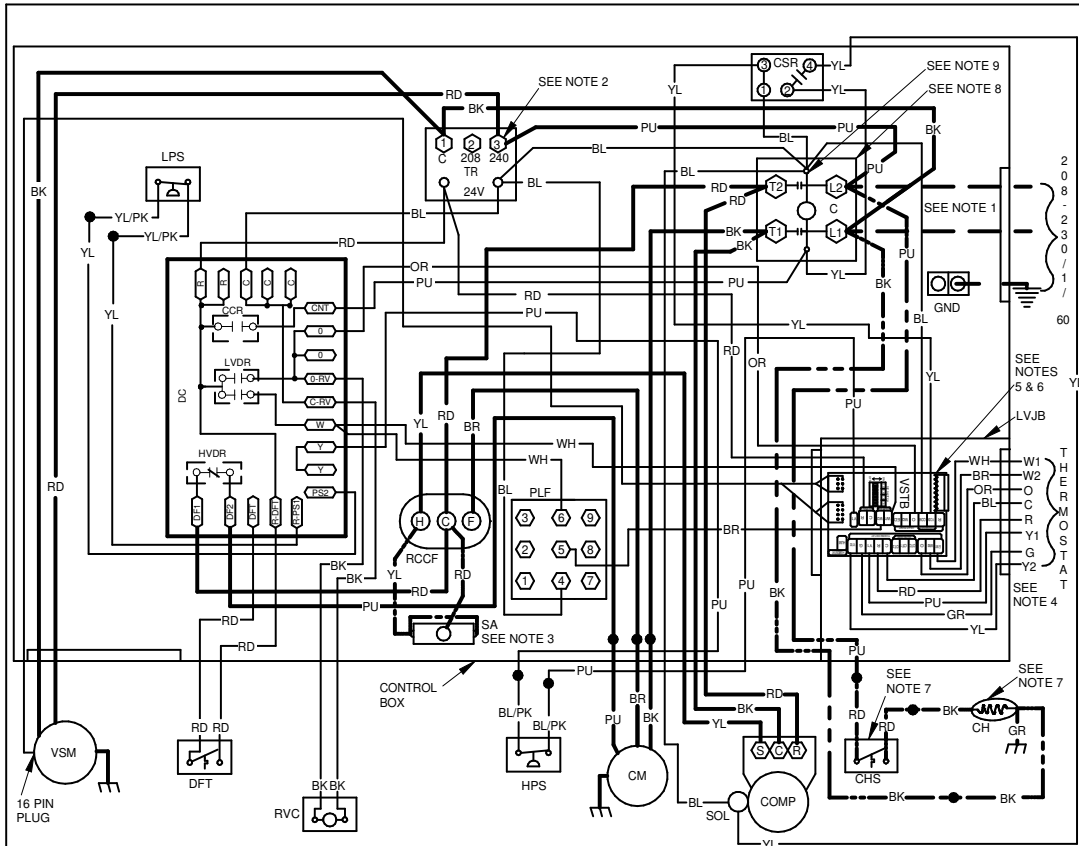


0140G03659-B

High Voltage: Disconnect all power before servicing or installing this unit. Multiple power sources may be present. Failure to do so may cause property damage, personal injury, or death.

WARNING

Wiring is subject to change. Always refer to the wiring diagram or the unit for the most up-to-date wiring.



COMPONENT LEGEND		FACTORY WIRING
C	CONTACTOR	— LINE VOLTAGE
CCR	COMPRESSOR CONTACTOR RELAY	— LOW VOLTAGE
CH	CRANKCASE HEATER	— OPTIONAL HIGH VOLTAGE
CHS	CRANKCASE HEATER SWITCH	
CM	CONDENSER MOTOR	
COMP	COMPRESSOR	
CSR	COMPRESSOR SOLENOID RELAY	
DC	DEFROST CONTROL	
DFT	DEFROST THERMOSTAT	
GND	EQUIPMENT GROUND	— HIGH VOLTAGE
HPS	HIGH PRESSURE SWITCH	— LOW VOLTAGE
HVDR	HIGH VOLTAGE DEFROST RELAY	
LPS	LOW PRESSURE SWITCH	
LVDR	LOW VOLTAGE DEFROST RELAY	
LVJB	LOW VOLTAGE JUNCTION BOX	
PLF	FEMALE PLUG / CONNECTOR	
RVC	REVERSING VALVE COIL	
RCCF	RUN CAPACITOR FOR COMPRESSOR AND FAN	
SA	START ASSIST	
SOL	HI STAGE SOLENOID	
TR	TRANSFORMER	
VSM	VARIABLE SPEED MOTOR	
VSTB	VARIABLE SPEED TERM BLOCK	

EQUIPMENT GROUND		FIELD GROUND
JUNCTION		FIELD GROUND
TERMINAL		FIELD SPLICE
INTERNAL TO INTEGRATED CONTROL		SWITCH (TEMP)
PLUG CONNECTION		SWITCH (PRESS.)
		IGNITER
		OVERCURRENT PROT. DEVICE

- NOTES:**
- REPLACEMENT WIRE MUST BE SAME SIZE AND TYPE INSULATION AS ORIGINAL (AT LEAST 105°C) USE COPPER CONDUCTOR ONLY.
 - FOR 208 VOLT TRANSFORMER OPERATION MOVE PURPLE AND RED WIRES FROM TERMINAL 3 TO TERMINAL 2 ON TRANSFORMER.
 - START ASSIST FACTOR EQUIPPED WHEN REQUIRED
 - USE COPPER CONDUCTORS ONLY
 - USE N.E.C. CLASS 2 WIRE
 - SET DIP SWITCH 4 ON VSTB TO OFF POSITION
 - REFER TO IO FOR FAN SPEED SETTINGS
 - CRANKCASE HEATER AND CRANKCASE HEATER SWITCH FACTORY EQUIPPED WHEN REQUIRED
 - DOUBLE POLE CONTACTOR SHOWN. SINGLE POLE CONTACTOR COULD BE FACTORY EQUIPPED AS AN ALTERNATE CONFIGURATION.
 - COMMON SIDE OF CONTACTOR CAN NOT BE GROUNDED OR CONNECTED TO ANY OTHER COMMON (24V).
- SEE UNIT RATING PLATE FOR TYPE AND SIZE OF OVER CURRENT PROTECTION



High Voltage: Disconnect all power before servicing or installing this unit. Multiple power sources may be present. Failure to do so may cause property damage, personal injury, or death.

WARNING

Wiring is subject to change. Always refer to the wiring diagram or the unit for the most up-to-date wiring.

ACCESSORY DESCRIPTION	ITEM NUMBER	
	SMALL CHASSIS	MEDIUM/LARGE CHASSIS
Downflow Economizer (use w/PCCP roof curb)	DDNECNJPCHHA	DDNECNJPCHHA
Downflow Plenum Kit (use w/PCCP roof curb)	PCP101-103	PCP101-103
Downflow Plenum Kit (R-8) (use w/PCCP roof curb)	PCP101-103 R8	PCP101-103 R8
Elbow Flashing w/R-8 Liner	PCEF101-103	PCEF101-103
Economizer Wiring Harness (2 - 3.5 Ton)	O259G00215	O259G00215
Economizer Wiring Harness (4 - 5 Ton)	N/A	O259L00411
External Horizontal Filter Rack	DPHFRA	DPHFRA
Horizontal Economizer	DHZECNJPCHM	DHZECNJPCHM
Inline Fuse Kit	INFKPKG01	INFKPKG01
Isolation Relay Kit (req'd with Economizer)	IRKT-01	IRKT-01
Manual Damper (use with PCP101-103)	PCMD101-103	PCMD101-103
Manual Damper - Horizontal	GPHMD101-103	GPHMD101-103
Motorized Damper (use with PCP101-103)	PCMDM101-103	PCMDM101-103
Outdoor Thermostat & Emergency Heat Relay Kit	OT/EHR18-60	OT/EHR18-60
Outdoor Thermostat Kit w/ Lockout Stat	OT18-60A	OT18-60A
Roof Curb	PCCP101-103	PCCP101-103
Square to Round Downflow (use w/PCCP roof curb)	SQRPC101	SQRPC102-103
Square to Round Horizontal	SQRPCH101	SQRPCH102-103

SINGLE-POINT KIT ACCESSORY KITS

Select the single-point kit accessory based on the unit model.

MODEL	SINGLE-POINT KIT
GPHH52441**	SPK-30
GPHH53041**	SPK-35
GPHH53641**	SPK-40
GPHH54241**	SPK-45
GPHH54841**	SPK-50
GPHH56041**	SPK-60

