



SUBMITTAL DATA: CAS24HP230V1BC		24000 BTU/H Cassette Heat Pump System	
Job Name	Location	Date	
Purchaser	Engineer		
Submitted To	For		
Unit Designation	Schedule No.		

YT1F / XK19 CAS24HP230V1BC 3VIR24HP230V1AO



GENERAL FEATURES

**AHRI Certificate: [207201634](#)
 High Efficiency DC Inverter Technology
 Compact and Quiet Design**

**Wireless Remote with LCD Display Included
 XK19 Wired Controller Included**

**Low Ambient Cooling down to -20°F (Range -20°F to 122°F)
 Low Ambient Heating down to -22°F (Range -22°F to 86°F)
 Coil (Indoor and Outdoor) Copper Tube / Aluminum Fin*
 * (Blue Fin) 500 Hrs Salt Spray Tested**

Limited Warranty: 5 Year Parts, 7 Years Compressor - Residential & Commercial



SPECIFICATIONS

3VIR24HP230V1AO / CAS24HP230V1BC

System Type		HEAT PUMP	
SYSTEM PERFORMANCE			
Cooling	Rated Capacity @ 95°F	Btu/h	22000
	Min-Max Capacity	Btu/h	3600 - 26500
Heating	Rated Capacity @ 47°F	Btu/h	24000
	Rated Capacity @ 17°F	Btu/h	15500
	Min-Max Capacity	Btu/h	4000 - 33000
SEER / EER		21 / 12	
HSPF / COP		11.5 / 3.81	
Energy Star®		NO	
Cooling Temperature Range		°F	-20 - 122
Heating Temperature Range		°F	-22 - 86
INDOOR UNIT		CAS24HP230V1BC	
Fan Motor Output Power		W	45
Fan Motor FLA		amps	0.5
Air Flow (Min - Max)		CFM	518 - 753
Sound Pressure Level (Cooling / Heating)		dB(A)	36 - 47
Dehumidification		pt/hr	5.3
Condensate Drain Size (OD)		in	1
Unit Dimension (WxHxD)		in	33 X 33 X 9 1/2
Package Dimension (WxHxD)		in	37 1/2 X 37 1/2 X 12 1/8
Weight (Net / Gross)		lbs	57.3 / 70.5
OUTDOOR UNIT		3VIR24HP230V1AO	
Compressor Type		G-10 / 1-Stage Inverter	
Compressor RLA		amps	10.68
Fan Motor Output Power		W	90
Fan Motor RLA		amps	0.7
Sound Pressure Level (Cooling / Heating)		dB(A)	59
Unit Dimension (WxHxD)		in	39 1/2 X 31 1/8 X 16 7/8
Package Dimension (WxHxD)		in	42 5/8 X 33 1/8 X 19 1/8
Weight (Net / Gross)		lbs	124.6 / 135.6
Refrigerant Charge - R410A		oz	63.5
Coil Type		Aluminum Fin / Copper Tube	
REFRIGERANT PIPING			
Indoor Service Valve Size (Liquid - Gas)*		in	3/8 - 5/8
Outdoor Service Valve Size (Liquid - Gas)		in	1/4 - 5/8
Pre-Charge Length		ft	25
Pipe Length (Min - Max)		ft	10 / 98
Max. Pipe Elevation		ft	66
ELECTRICAL			
Power Supply (Voltage Operating Range)		208-230V / 1Ph / 60Hz	
Rated Current (Cooling / Heating)		amps	7.5 / 14.5
MCA / MOCP		amps	16 / 25
Main Power Wire Size		AWG	Size Per Local Code
Interconnecting Wire Size		AWG	14 / 4
LIMITED WARRANTY		5 Year Parts, 7 Years Compressor - Residential & Commercial	

* Size line set to indoor unit connection size -requires 1/4 x 3/8 adapter (field supplied)

EXTENDED RATINGS

CAS24HP230V1BC

COOLING PERFORMANCE						HEATING PERFORMANCE				
Outdoor Ambient Temperature (DB)		Return Air Temperature				Outdoor Ambient Temperature (DB)		Return Air Temperature		
		80°F (DB)						70°F (DB)		
		TC (Btu/h)	SHR	EER	Power Input (W)			TC (Btu/h)	COP	Power Input (W)
MAX OUTPUT	-20°F	8619	6256	2.04	1240.3	MAX OUTPUT	-22°F	12471	1.60	2279.5
	-15°F	9091	6880	2.25	1182.8		-20°F	13350	1.68	2326.0
	-10°F	9716	7040	2.30	1240.3		-15°F	14903	1.84	2373.4
	-5°F	10673	7620	2.32	1345.6		-10°F	17076	2.07	2421.9
	0°F	11925	7746	2.36	1482.5		-5°F	18007	2.14	2471.3
	5°F	14310	9359	2.71	1548.9		0°F	18628	2.17	2521.7
	10°F	15159	10027	2.76	1610.9		5°F	20698	2.36	2573.2
	15°F	15635	10296	2.92	1571.0		10°F	21733	2.43	2625.7
	20°F	16023	10490	2.83	1659.2		15°F	24838	2.72	2679.3
	25°F	16165	10718	2.85	1659.5		17°F	27321	2.93	2734.0
	30°F	16695	11144	2.84	1725.8		20°F	29495	3.10	2789.8
	35°F	17748	11698	2.90	1792.2		25°F	30426	3.13	2846.7
	40°F	18285	12287	3.03	1770.0		30°F	31047	3.13	2904.8
	45°F	19305	12781	3.06	1848.3		35°F	31358	3.07	2992.0
	50°F	19875	13444	3.10	1880.6		40°F	31668	3.01	3081.7
	55°F	20935	14255	3.15	1947.0		45°F	32599	3.01	3174.0
	60°F	21567	14668	3.15	2008.0		47°F	33531	3.01	3269.4
	65°F	21730	14894	3.16	2013.3		50°F	33713	3.01	3285.7
	70°F	23791	16687	3.26	2136.7		55°F	33866	2.95	3367.7
	75°F	25175	17368	3.40	2168.2		60°F	34200	2.89	3468.4
	80°F	26026	18141	3.45	2210.2		65°F	35206	2.89	3572.9
	85°F	26548	18769	3.41	2279.4		70°F	36212	2.88	3679.4
	90°F	26721	18551	3.49	2241.1		75°F	37218	2.88	3789.8
	95°F	26500	18520	3.51	2213.0		80°F	38560	2.89	3904.1
100°F	24620.83	17418	3.54	2039.7	86°F	39050	2.89	3957.0		
105°F	23585	16588	3.55	1947.0						
110°F	23179.3	15880	3.58	1897.0						
115°F	21995	15569	3.60	1792.2						
120°F	20824.51	14326	3.61	1690.7						
122°F	19345	13779	3.63	1560.2						

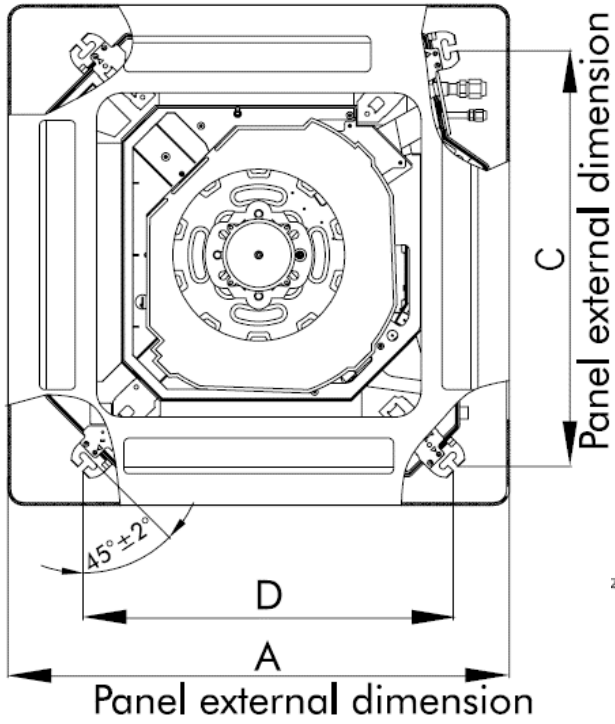
LEGEND: W - Watts
 DB - Dry Bulb
 TC - Total Capacity
 SHR - Sensible Heat Ratio
 COP - Coefficient of Performance

FEATURES & FUNCTIONS SUMMARY**3VIR24HP230V1AO / CAS24HP230V1BC****SYSTEM FEATURES**

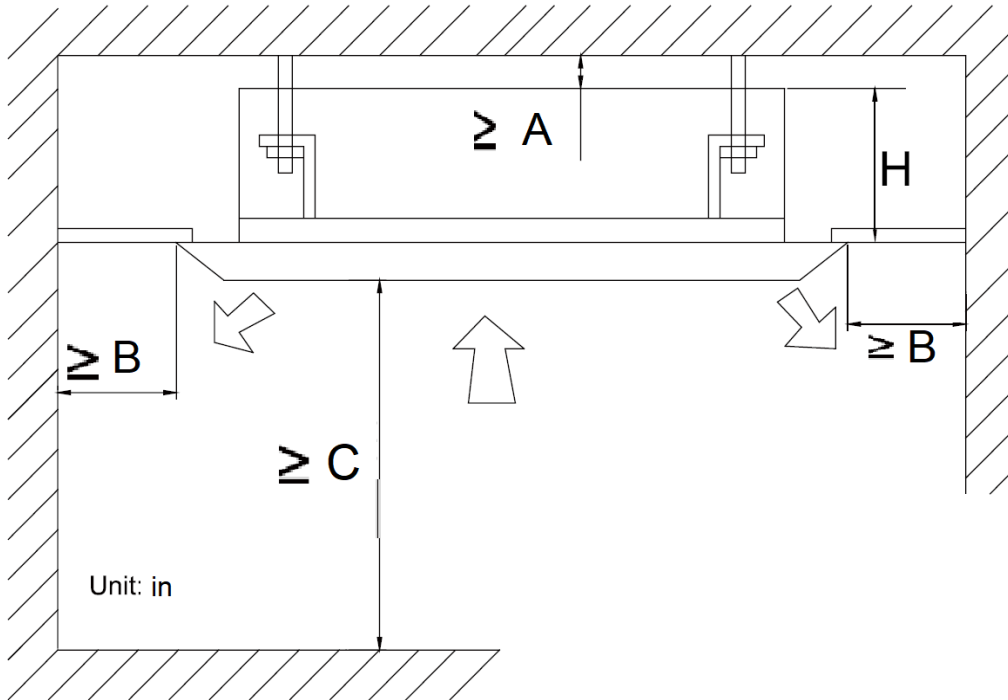
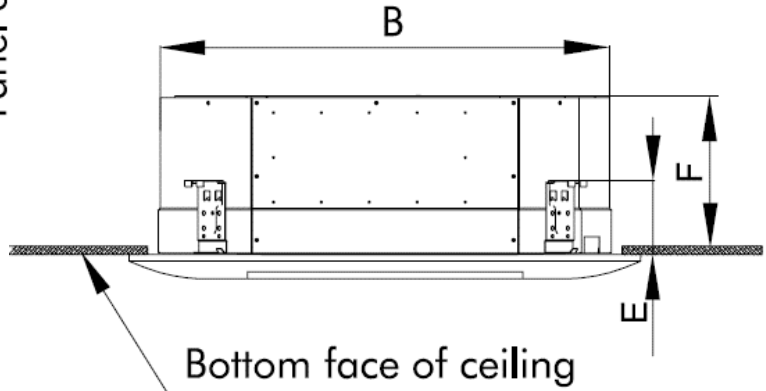
Inverter Type	G10
Ultra Low Frequency Torque Control	Yes
Power Factor Correction	Yes
Compressor Type - Inverter	High Efficiency Rotary
Basepan With Electric Heater	Yes
Indoor & Outdoor Fin Coating	Yes
Intelligent Defrosting	Yes
Intelligent Preheating	Yes
Low Voltage Startup	Yes
Memory/Power Failure Recovery	Yes
Self Diagnosis	Yes
Wired Controller Interface	Yes
WiFi Included	No
Indoor Fan Type	Centrifugal
Multi Fan Speeds	4 Speeds
Indoor Unit Display	Yes
Auxiliary Electrical Heater	No
Ventilation (Outdoor Air)	No

REMOTE CONTROLLER FUNCTIONS

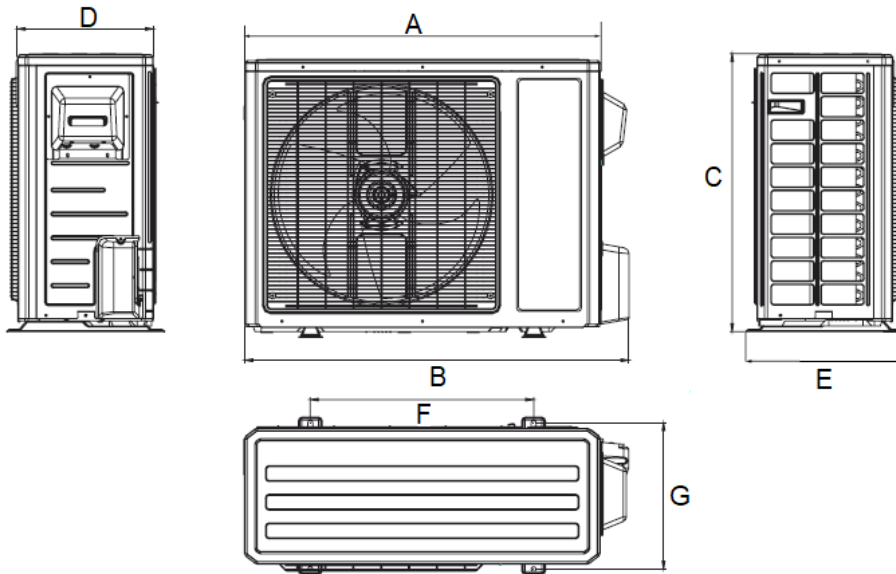
Auto Mode	Yes
Auto Fan	Yes
Auto Swing (Horizontal Auto Swing)	No
Auto Swing (Vertical Auto Swing)	Yes
Clock	Yes
Dry Mode	Yes
Dry Anti-Mildew (X-Fan) Mode	Yes
Energy Saving Mode	Yes
Dirty Filter Alert	No
Fan Speed Control (7 Speeds)	Yes
I Feel Function	Yes
Privacy Lock	Yes
Quiet Mode	No
Room Temperature Display	No
Sleep Mode	Yes
Normal Sleep Mode Option	Yes
Timer Mode	Yes
Turbo Mode	Yes
Display On/Off Control	Yes
Freeze Guard Mode	Yes
Power Failure Mode	Yes



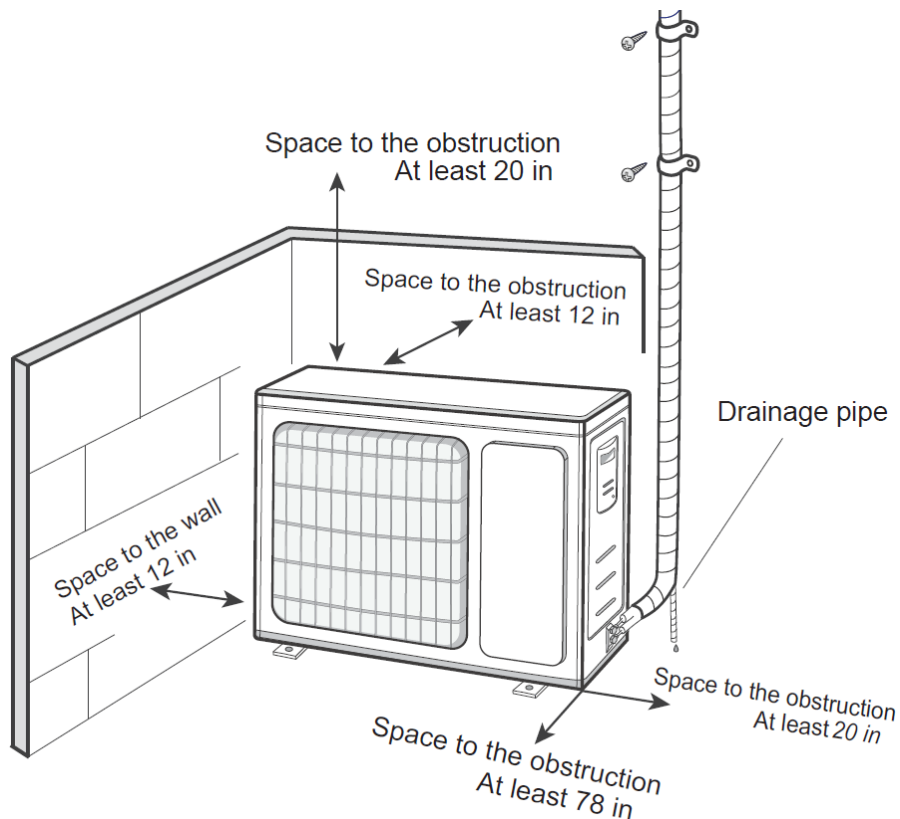
Dimensions	
A	37 1/2
B	33
C	30 3/4
D	26 3/4
E	5 3/4
F	9 1/2



Clearances	
A	7/8
B	60
C	98
H	10



Dimensions	
A	36 1/4
B	39 1/2
C	31 1/8
D	14 9/16
E	16 13/16
F	24
G	15 9/16



Specifications are subject to change without notice. Manufacturer reserves the right to discontinue or modify specifications or designs without notice or without incurring obligations. All Rights reserved.