

Submission Data: MLZ-KY06NA-U1

6,000 BTU/H 1-Way Ceiling Cassette Indoor Unit For MXZ Multi-Zone Heat Pump System

Job Name:	Location:
Purchaser:	Submitted By:
Submitted To:	Reference: Approval: Construction:
Engineer:	Date: Application:



Images provided for reference purposes only

- Sleek panel design - Partially openable grill
- Fits between 14" joists
- Built in condensate lift mechanism (19-11/16")
- Auxiliary Heat Control
- Partially openable design
- Only MXZ connection is allowed
- MXZ_NA2/NAH22 (or older) are not compatible

Rated Capacity:

Cooling ¹	Btu/h	6,000
Heat at 47°F ²	Btu/h	7,200

Indoor Unit Specifications:

Power Supply		208/230V, 1Ph, 60Hz	
MCA	A	1.00	
Blower Motor Full Load Amperage	A	0.68	
Blower Motor Output	W	30	
Airflow Rate at Cooling, Dry	CFM	152 - 166 - 184 - 198	
Airflow Rate at Cooling, Wet	CFM	129 - 141 - 156 - 168	
Airflow Rate at Heating, Dry	CFM	152 - 173 - 194 - 212	
Sound Pressure Level (Cooling)	dB(A)	29 - 31 - 34 - 36	
Sound Pressure Level (Heating)	dB(A)	29 - 32 - 35 - 37	
Drain Pipe Size	In. (mm)	1-1/16 (26)	
External Finish Color [Panel]		White (Munsell 4.0GY 9.1/0.2)	
Dimensions		Main Unit	Panel
	W: In. (mm)	33-3/16 (842)	36-1/16 (915)
	D: In. (mm)	11-7/8 (301)	14-9/16 (370)
	H: In. (mm)	7-11/16 (194)	1-1/2 (37)
Unit Weight	Lbs. (kg)	25.0 (11.3)	5.7 (2.6)
Gas Pipe Size O.D. (Flared)	In. (mm)	3/8 (9.52)	
Liquid Pipe Size O.D. (Flared)	In. (mm)	1/4 (6.35)	
Moisture Removal	pints/h	NA	

Model No. Description: (Optional Controls)

MELCO-RETAIL-MINI	Building Automated System DDC Interface
PAR-40MAAU	Wired Wall Mounted Remote Control (Requires MAC-334IF-E or MAC-497IF-E)
PAR-CT01MAU-SB	Touch Screen Wired Wall Mounted Control (Requires MAC-334IF-E or MAC-497IF-E)
PAC-YT53CRAU-J	Basic Wired Wall Mounted Control
MAC-1710RA-U	External Heat Control Adapter
RMF-CA200-V1	Deluxe Thermostat Interface
MAC-334IF-E	System Control Interface
MAC-497	PAR Control Interface

Model No. Description: (Accessories)

MLP-448WU	Grill (Required - sold separately)

AHRI Rated Conditions (Rated data is determined at a fixed compressor speed)

¹Cooling (Indoor // Outdoor) 80°F (26.6°C) DB, 67°F (19.4°C) WB // 95°F (35°C) DB, 75°F (23.9°C) WB

²Heating at 47°F (8.3°C) (Indoor // Outdoor) 70°F (21.1°C) DB, 60°F (15.6°C) WB // 47°F (8.3°C) DB, 43°F (6.1°C) WB

For data on specific Indoor units (all ducted, all non-ducted, and both ducted and non-ducted) combinations, see MXZ Technical and Service Manuals. Applications should be restricted to comfort cooling only; equipment cooling applications are not recommended for low ambient temperature conditions.

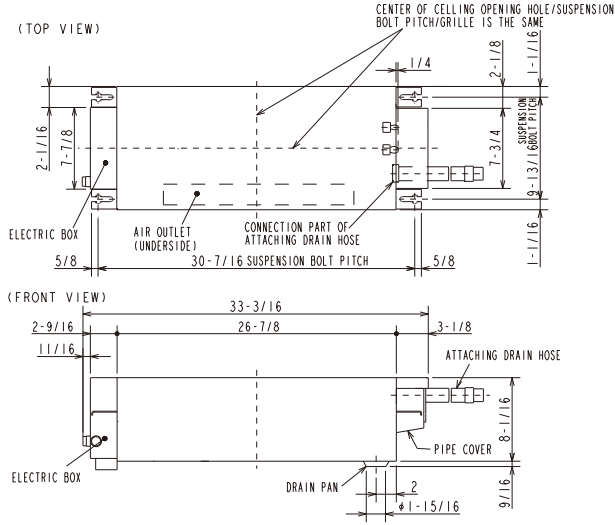
Note:

1. Mitsubishi Electric Sales Canada Inc. (MESCA) supports the use of only MESCA supplied and approved components and accessories for proper functioning of the unit(s). Use of non - MESCA supported components and accessories will affect warranty coverage. MESCA recommends (A) consideration of all applicable design and application parameters and requirements specific to any project.

2. Should any person change this document in any manner whatsoever without MESCA's written permission, the document shall be of no force and effect and any change shall be deemed to be a representation and warranty made by that person and not MESCA. That person, and not MESCA, shall assume full responsibility for the consequences of such changes. MESCA assumes no responsibility for any consequences in such cases.

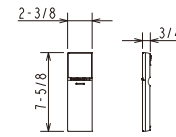
Indoor Unit Outline and Dimensions:

INDOOR UNIT OUTLINE DRAWING

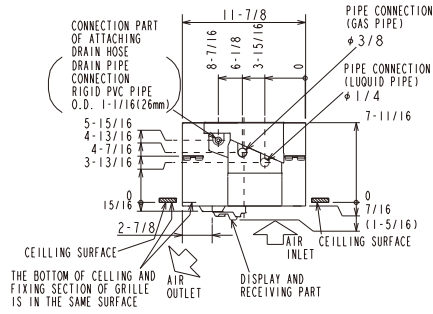


REMOTE CONTROLLER OUTLINE DRAWING

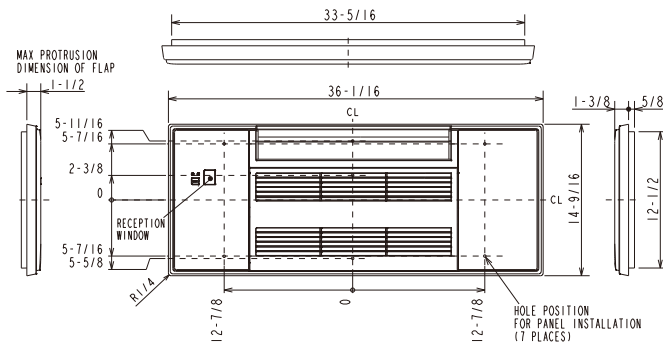
Unit: inch



(RIGHT SIDE VIEW)



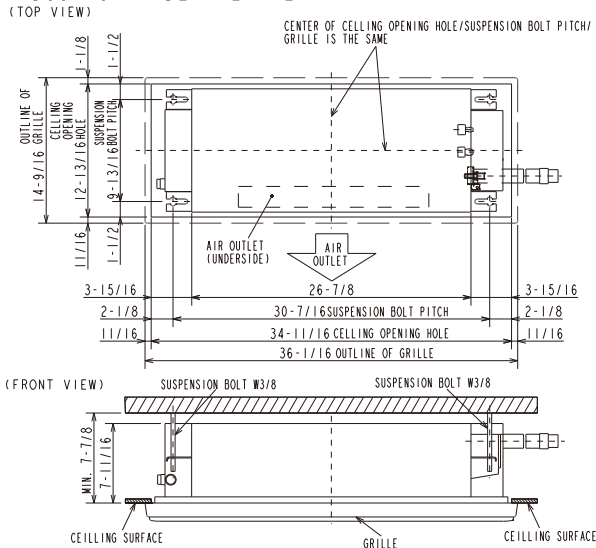
GRILLE OUTLINE DRAWING (MLP-448WU)



EXTENSION PIPE	LIQUID PIPE O.D.	#1/4	
	GAS PIPE O.D.	#3/8	
CONNECTION OF PIPE	LIQUID PIPE	FLARED CONNECTION #1/4	
	GAS PIPE	FLARED CONNECTION #3/8	
DRAIN HOSE	HEAT INSULATOR O.D.	CONNECTION I.D.	EFFECTIVE LENGTH
	#1-5/16	#1	18-15/16
DRAIN PIPE CONNECTION	RIGID PVC PIPE O.D.	#1-1/16 (26mm)	

NOTE1. CUT THE DRAIN HOSE (ACCESSORY) FOR USE, IF NECESSARY.

INDOOR UNIT DETAIL VIEW



THE METHOD FOR STANDING DRAIN FROM INDOOR UNIT
* CUT THE DRAIN HOSE (ACCESSORY) FOR USE, IF NECESSARY.

