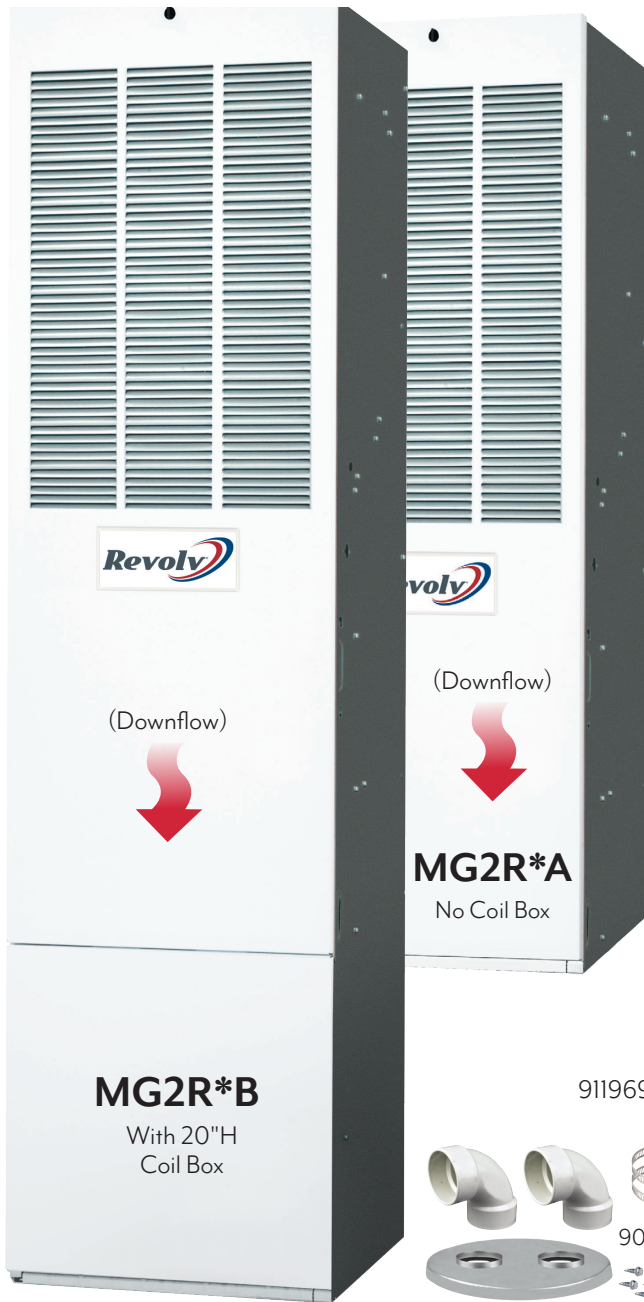




Indoor Comfort Products Brought to You
by the Manufactured Home Experts!

MG2R 95% AFUE Single-Stage MH Gas Furnaces



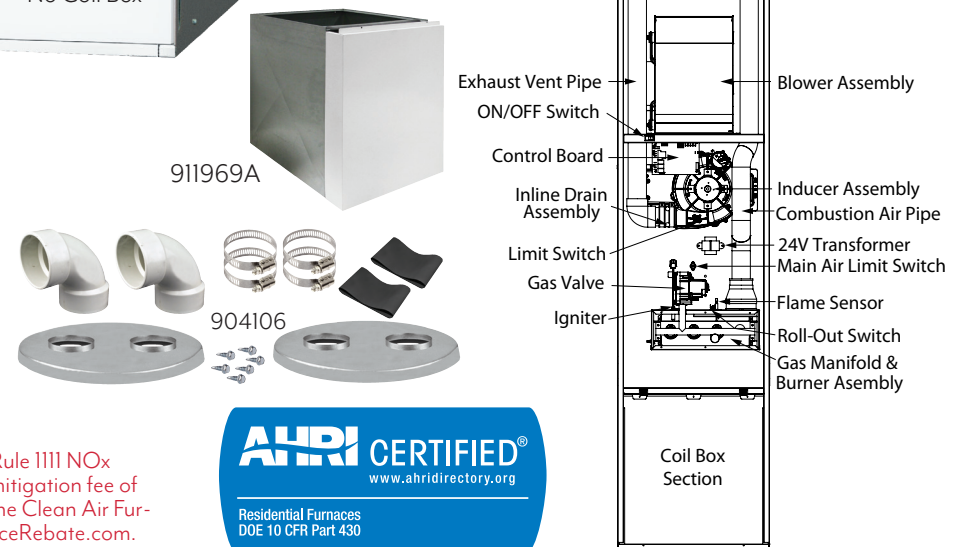
Unique Manufactured Housing Design with a robust, 19 7/8"W, fully-insulated cabinet to fit the standard MH footprint. The MG2R is our flagship high-efficiency, HUD-compliant, gas furnace.

AC-Ready 4-Ton ECM Blower with 5-speed taps, with/without a factory-installed 20"H coil box; allowing for a field-installed 20"/26"H coil box to suit your capacity and access needs. Refer to Split System sell sheets for AHRI-rated coil-fit matches.

Quick LP Conversion with an easy-access gas valve regulator and manifold, using the factory-provided LP orifices included in the unit-literature kit.

Category IV Venting Approval allows for vertical or horizontal direct venting using an approved non-metallic two-pipe system, or a concentric termination kit for application flexibility.

Dependable Warranty and Support, handled directly by Style Crest's dedicated HVAC Team, offering the most competitive warranty coverage and service in the Manufactured Housing Industry.



This furnace does not meet the SCAQMD Rule 1111 NO_x emission limit (14 ng/l), and is subject to a mitigation fee of up to \$450. This furnace is not eligible for the Clean Air Furnace Rebate Program: www.CleanAirFurnaceRebate.com.



www.stylecrestinc.com | 800.945.4440

MG2R 95% AFUE Single-Stage MH Gas Furnaces

Style Crest Item #	Model #	AHRI Cert. #	Coil Box, Air Return	Input	Heating Capacity	Ship L	Ship W	Ship H	Ship Wt.	Orifice ²		
										NG	LP	Qty
MG2R-045FA	MG2R-045FIAAM2	204600301	None, Front ¹	45 MBH	43 MBH	26 1/2"	21 5/16"	58 1/8"	150#	49	57	3
MG2R-045FB	MG2R-045FIABM2	204600301	20"H, Front	45 MBH	43 MBH	26 1/2"	21 5/16"	78 1/8"	170#	49	57	3
MG2R-060FA	MG2R-060FIAAM2	204600302	None, Front ¹	60 MBH	57 MBH	26 1/2"	21 5/16"	58 1/8"	150#	45	55	3
MG2R-060FB	MG2R-060FIABM2	204600302	20"H, Front	60 MBH	57 MBH	26 1/2"	21 5/16"	78 1/8"	170#	45	55	3
MG2R-072FA	MG2R-072FIAAM2	204600303	None, Front ¹	72 MBH	68 MBH	26 1/2"	21 5/16"	58 1/8"	155#	47	56	4
MG2R-072FB	MG2R-072FIABM2	204600303	20"H, Front	72 MBH	68 MBH	26 1/2"	21 5/16"	78 1/8"	175#	47	56	4
MG2R-045TB ³	MG2R-045TIABM2	204600304	20"H, Top	45 MBH	43 MBH	26 1/2"	21 5/16"	78 1/8"	170#	49	57	3
MG2R-060TB ³	MG2R-060TIABM2	204600305	20"H, Top	60 MBH	57 MBH	26 1/2"	21 5/16"	78 1/8"	170#	45	55	3
MG2R-072TB ³	MG2R-072TIABM2	204600306	20"H, Top	72 MBH	68 MBH	26 1/2"	21 5/16"	78 1/8"	175#	47	56	4

1) If adding a central air split system, you must also order a separate field-installed coil box, listed in the Application Accessories table below.

2) Orifice will vary with altitude; consult the unit installation instructions for correct orifice selection for your application and altitude.

3) These items are available as drop-ship only (not stocked), where a non-cancellable order minimum and longer lead-time may apply.

Application Accessories

Item #	Item Description
911969A	Coil Box, 20"H, Field-Installed, Central Air
922594	Coil Box, 26"H, Field-Installed, Central Air
901083	Backflow Damper, 1-Blade, Empty Box, PkgAC
902095	Backflow Damper, 3-Blade, LowProfile, PkgAC
904953	3"Ø Pipe, Concentric Vent Term. Kit, US/CA
904952	2"Ø Pipe, Concentric Vent Term. Kit, US/CA
904106	2-Pipe, Vent Transition Kit (old RJ opening)

Item #	Item Description
901987A	Duct Connector, 11 1/4" x 13 1/2" x 7/8"H, EA (12/Ctn)
901988A	Duct Connector, 11 1/4" x 13 1/2" x 2"H, EA (12/Ctn)
901989A	Duct Connector, 11 1/4" x 13 1/2" x 4 1/4"H, EA (6/Ctn)
901990A	Duct Connector, 11 1/4" x 13 1/2" x 6 1/4"H, EA (6/Ctn)
901991A	Duct Connector, 11 1/4" x 13 1/2" x 8 1/4"H, EA (4/Ctn)
901992A	Duct Connector, 11 1/4" x 13 1/2" x 10 1/4"H, EA (3/Ctn)
901993A	Duct Connector, 11 1/4" x 13 1/2" x 12 1/4"H, EA (3/Ctn)

Direct Vent, Dual-Pipe Specifications

Accepted Pipe Material	ANSI/ASTM Standard
Schedule 40PVC	D1785
PVC-DWV	D2665
SDR-21 & SDR-26	D2241
ABS-DWV	D2661
Schedule 40ABS	F628
Foam/Cellular Core PVC	F891
PolyPro® by DuraVent	ULC-S636

Input	Max Equivalent Pipe Length	
	3"Ø In/Outlet	2"Ø In/Outlet
45 MBH	60 ft	30 ft
60 MBH	60 ft	30 ft
72 MBH	60 ft	30 ft

Venting Notes:

- Above table applies from sea level to 2,000 ft. For higher elevations, decrease vent pipe lengths by 8% per 1,000 ft of additional altitude.
- Subtract 3.5 ft for each additional 3"-90° elbow.
- Subtract 2.5 ft for each additional 2"-90° elbow.
- Two, 45° elbows are equivalent to one, 90° elbow.
- One, short-radius elbow is equivalent to two, long-radius elbows.
- Do not include termination elbows in vent length calculation.
- Only listed pipe materials are approved for use with MG2R furnaces.

