

TECHNICAL SPECIFICATIONS

HSA4ME Series

High Efficiency Air Conditioner 14.3 SEER2 Manufactured Housing System 2 – 5 Ton Capacity

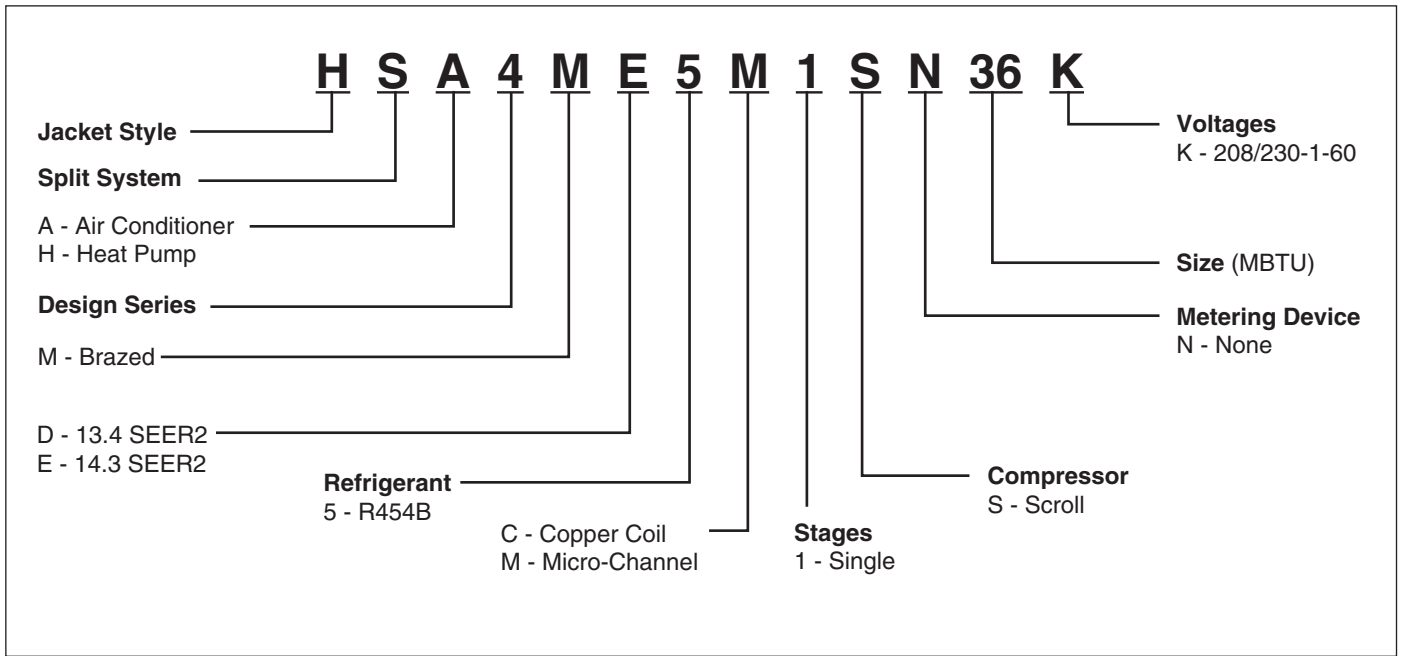
The HSA4ME Series of air conditioners offer exceptional performance. The unit, when combined with our engineered coils or air handlers, offers a full line of quality, split system cooling equipment.



FEATURES and BENEFITS

- **Designed for Manufactured Housing:** Charged with refrigerant for 20 feet of lineset.
- **Full Service Valves:** These brass valves are easily accessible and simplify servicing of the refrigeration system.
- **Designed Using Galvanized Steel:** A powder coated paint that eliminates sharp edges and reduces corrosion, fading, chipping and scratching. It passes 950 hours of salt spray per ASTM Std. B117.
- **Composite Base Pan:** Absorbs sound and is corrosion resistant. Composite is also stronger and lighter than steel.
- **Quality Compressor** State-of-the-art Scroll compressor is standard equipment, offering superior comfort and efficiency.
- **Powder Coated Full Metal Jacket:** Will never rust and protects the coil from being damaged by balls, lawnmowers, hail, etc.
- **Permanently Lubricated Motor:** A heavy duty PSC motor for long lasting reliability and quiet operation. Requires no maintenance and is completely protected from rain and snow.
- **Removable Top Grille Assembly:** Allows ease of service from the top without disconnecting fan motor leads.
- **High Pressure Switch:** Protects against abnormally high system pressures. Auto-reset feature prevents nuisance service visits.
- **Liquid Line Filter Drier:** Included with unit, factory installed on QE and field installed on ME models.
- **One Piece Top/Orifice:** Designed for maximum airflow and quiet operation.
- **Easy Compressor and Control Access:** Designed to make servicing easier for the contractor, access panels are provided to all controls and the compressor from the side of the unit.
- **All-Aluminum coils:** Aluminum coils in all models which provides high corrosion resistance.
- **Servicer-Friendly Jacket:** Side panels can be easily removed and replaced without removing the top grill.

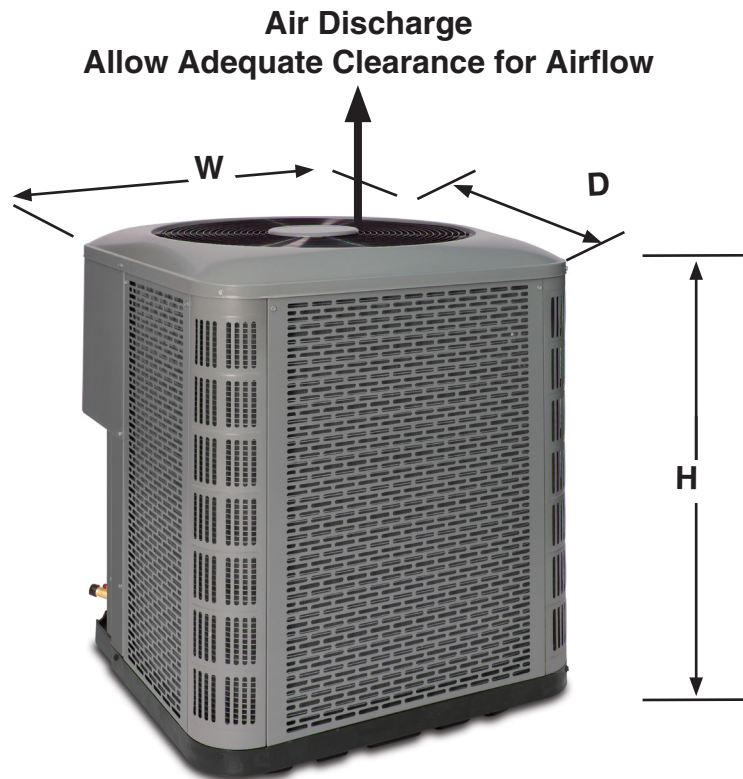
MODEL IDENTIFICATION CODES



DIMENSIONS

AIR CONDITIONER OUTDOOR SECTION

HSA4ME	24K	30K	36K	42K	48K	60K
H	29.25	29.25	37.25	45.25	45.25	45.25
W	31.75	31.75	31.75	31.75	31.75	31.75
D	31.75	31.75	31.75	31.75	31.75	31.75



PHYSICAL AND ELECTRICAL SPECIFICATIONS / OUTDOOR UNITS

14.3 SEER2 — High Efficiency — Single Phase

Model Number HSA4ME5M		1SN24K	1SN30K	1SN36K	1SN42K	1SN48K	1SN60K
Electrical Data	Volts-Cycles-Phase (1)	208/230-60-1					
	Delay Fuse Max. (2)	20	25	30	30	40	50
	Min. Circuit Ampacity	12.1	16.5	18.9	19.3	25.6	29.6
Component Data	Fan Motor HP HP	1/8	1/8	1/8	1/4	1/4	1/4
	Compressor Data LRA	63	67	86	95	102	148
Refrigerant suction line O.D.		0-24 ft.	3/4"	3/4"	3/4"	7/8"	7/8"
NOTE: Liquid line is 3/8" O.D. for entire length.		25-39 ft.	3/4"	3/4"	3/4"	7/8"	7/8"
		40-75 ft.	3/4"	3/4"	7/8" (3)	7/8"	7/8"
Approximate Shipping Weight (lbs.)		155	155	168	178	200	213
Sound Rating dBA		72	76	73	74	78	78

Rated for 10,000 ft maximum elevation

(1) Operating Voltage Range: 187v min. - 253v max.

(2) HACR Type Circuit Breakers may be used.

(3) Requires 7/8" to 3/4" reducer from line to unit.

(4) Requires 7/8" to 1-1/8" reducer from line to unit.

ACCESSORIES - Condensing Unit

Start Assist Kit - 912933

Provides additional starting torque for the compressor motor when operating with low line voltage or high operating temperatures.

Low Ambient Kit - 918837

SYSTEM COOLING CAPACITIES

14.3 SEER2 — High Efficiency — Single Phase

Manufactured Housing Gas Furnace						
Outdoor Unit	Indoor Unit	BTUH	SEER2	EER2	CFM	AHRI DTC
HSA4ME5M1SN24K	C85DAMX24U-B	23,600	14.3	11.7	800	YES
HSA4ME5M1SN30K	C85DAMX3036U-B	29,000	14.3	11.7	1,000	YES
HSA4ME5M1SN36K	C85DAMX3036U-B	35,000	14.3	11.7	1,115	YES
HSA4ME5M1SN42K	C85DAMX42U-B	39,500	14.3	11.7	1,190	YES
HSA4ME5M1SN48K	C85DAMX48U-B	47,000	13.8	11.2	1,500	YES
HSA4ME5M1SN60K	C85DAMX4960U-B	55,500	13.8	11.2	1,580	YES

See current AHRI Directory for certified combinations and ratings. All ratings are with time delay relay.
www.ahridirectory.org

COOLING EXPANDED RATINGS WITH COIL

HSA4ME5M1SN24K + C85DAMX24U-B

CFM	O.D.T		65°F			75°F			85°F			95°F			105°F			115°F		
	E.D.B.	E.W.B.	T.C.	S.C.	K.W.	T.C.	S.C.	K.W.	T.C.	S.C.	K.W.	T.C.	S.C.	K.W.	T.C.	S.C.	K.W.	T.C.	S.C.	K.W.
700	80	62	27.1	22.7	1.43	25.7	22.1	1.58	24.5	21.4	1.75	23.2	20.8	1.94	21.8	20.2	2.14	20.3	18.7	2.38
	80	67	29.3	18.9	1.41	28	18.3	1.57	26.6	17.9	1.75	25.3	17.3	1.94	23.9	16.6	2.15	22.3	15.8	2.38
	80	72	31.6	15.4	1.38	30.1	14.8	1.56	28.7	14.3	1.74	27.4	13.7	1.93	25.9	13.1	2.15	24.1	12.4	2.38
	75	62	27	19.3	1.43	25.7	18.7	1.58	24.4	18	1.75	23.1	17.4	1.94	21.7	16.8	2.14	20.3	16.1	2.38
	75	67	29.1	15.7	1.41	27.8	15.1	1.57	26.5	14.4	1.75	25.1	13.8	1.94	23.8	13.3	2.15	22.2	12.6	2.38
800	80	62	27.7	24.2	1.46	26.3	23.6	1.62	25	22.9	1.79	23.6	22.2	1.98	22.2	21.4	2.19	20.8	20.4	2.42
	80	67	29.9	19.9	1.44	28.5	19.3	1.61	27.2	18.9	1.79	25.8	18.3	1.98	24.1	16.9	2.19	22.7	16.8	2.42
	80	72	32.2	16.1	1.42	30.7	15.4	1.59	29.3	14.8	1.77	27.9	14.3	1.97	26.3	13.7	2.19	24.5	12.9	2.43
	75	62	27.6	20.4	1.46	26.2	19.8	1.62	24.9	19.1	1.79	23.5	18.5	1.98	22.1	17.8	2.19	20.6	17.1	2.42
	75	67	29.8	16.3	1.44	28.4	15.7	1.61	27	15.1	1.79	25.5	14.3	1.98	24.2	13.8	2.19	22.5	13.1	2.42
900	80	62	28.2	25.6	1.5	26.7	24.9	1.66	25.3	24.1	1.83	24	23.2	2.02	22.6	22.4	2.23	21.2	21.2	2.46
	80	67	30.5	20.9	1.48	29	20.3	1.65	27.5	19.9	1.83	26.1	19.3	2.02	24.4	17.7	2.23	22.9	17.7	2.47
	80	72	32.7	16.5	1.45	31.1	15.9	1.63	29.8	15.4	1.81	28.2	14.8	2.01	26.6	14.1	2.23	24.7	13.4	2.47
	75	62	28.1	21.4	1.5	26.6	20.7	1.66	25.2	20.1	1.83	23.9	19.4	2.02	22.4	18.8	2.23	20.8	18.1	2.46
	75	67	30.3	16.9	1.48	28.9	16.2	1.65	27.4	15.7	1.83	25.9	14.8	2.02	24.5	14.5	2.23	22.6	13.5	2.46

HSA4ME5M1SN30K + C85DAMX3036U-B

CFM	O.D.T		65°F			75°F			85°F			95°F			105°F			115°F		
	E.D.B.	E.W.B.	T.C.	S.C.	K.W.	T.C.	S.C.	K.W.	T.C.	S.C.	K.W.	T.C.	S.C.	K.W.	T.C.	S.C.	K.W.	T.C.	S.C.	K.W.
875	80	62	31.4	26.6	1.72	30.3	26.1	1.92	29	25.5	2.12	27.6	24.9	2.34	26.1	24	2.6	24.5	23.3	2.9
	80	67	34	21.9	1.73	33	21.8	1.93	31.6	21.2	2.13	30	20.5	2.35	28.4	19.8	2.6	26.8	19.2	2.91
	80	72	37.8	18.4	1.76	36.3	17.7	1.95	34.6	17	2.15	32.8	16.3	2.36	31	15.6	2.62	29.2	14.9	2.93
	75	62	31.3	22.5	1.72	30.2	22	1.92	29	21.4	2.12	27.5	20.8	2.34	26	20	2.59	24.5	19.3	2.9
	75	67	34	18.2	1.73	32.8	17.6	1.93	31.5	17.1	2.13	29.9	16.4	2.34	28.3	15.7	2.6	26.7	15.1	2.91
1000	80	62	32.1	28.4	1.78	31	27.8	1.97	29.6	27.2	2.18	28.1	26.4	2.39	26.6	25.6	2.65	25	24.6	2.96
	80	67	35	23.6	1.79	33.7	23	1.98	32.2	22.4	2.18	30.5	21.7	2.4	28.9	21.1	2.66	27.2	20.3	2.97
	80	72	38.7	19	1.82	37.1	18.5	2	35.2	17.7	2.2	33.4	17	2.42	31.5	16.2	2.68	29.7	15.5	2.99
	75	62	32	23.8	1.78	30.9	23.3	1.97	29.5	22.6	2.18	28.1	21.9	2.39	26.5	21.2	2.65	24.9	20.6	2.96
	75	67	34.7	18.9	1.79	33.5	18.3	1.98	32	17.6	2.18	30.4	17.1	2.4	28.8	16.5	2.66	27	15.4	2.97
1125	80	62	32.6	30	1.83	31.4	29.4	2.03	30	28.5	2.23	28.6	27.8	2.45	27.1	26.7	2.71	25.7	25.5	3.02
	80	67	35.6	24.8	1.84	34.2	24.2	2.04	32.6	23.6	2.23	31	22.8	2.45	29.2	22.1	2.71	27.5	21.4	3.02
	80	72	39.3	19.7	1.87	37.6	19	2.06	35.7	18.3	2.25	33.8	17.5	2.47	31.8	16.8	2.73	30	16.1	3.05
	75	62	32.5	24.9	1.83	31.4	24.4	2.03	29.9	23.8	2.23	28.4	23.1	2.45	26.8	22.4	2.7	25.1	21.6	3.01
	75	67	35.3	19.5	1.84	34	18.9	2.04	32.5	18.4	2.23	30.9	17.8	2.45	29	16.7	2.71	27.4	16.3	3.02

HSA4ME5M1SN36K + C85DAMX3036U-B

CFM	O.D.T		65°F			75°F			85°F			95°F			105°F			115°F		
	E.D.B.	E.W.B.	T.C.	S.C.	K.W.	T.C.	S.C.	K.W.	T.C.	S.C.	K.W.	T.C.	S.C.	K.W.	T.C.	S.C.	K.W.	T.C.	S.C.	K.W.
1050	80	62	37.6	31	2.04	36.4	30.4	2.27	34.9	29.9	2.51	33.2	29	2.77	31.3	27.7	3.08	29.3	26.9	3.43
	80	67	40.9	26.3	2.07	39.5	25.7	2.29	37.8	24.9	2.52	36	24	2.78	33.9	23.1	3.07	31.9	22.3	3.41
	80	72	44.9	21.7	2.11	43.1	20.9	2.31	41.3	20.2	2.54	39.1	19.3	2.78	36.9	18.4	3.07	34.7	17.6	3.39
	75	62	37.4	26.4	2.04	36.3	25.8	2.27	34.8	25.1	2.51	33.1	24.2	2.77	31.1	23.3	3.08	29.2	22.4	3.43
	75	67	40.7	21.7	2.07	39.3	21.1	2.29	37.7	20.3	2.52	35.9	19.6	2.77	33.8	18.6	3.07	31.4	17.5	3.41
1115	80	62	38	31.8	2.08	36.8	31.4	2.3	35.3	30.3	2.54	33.5	29.8	2.8	31.5	28.4	3.1	29.5	27.7	3.45
	80	67	41.3	26.9	2.1	39.9	26.3	2.32	38.2	25.4	2.55	36.3	24.6	2.8	34.2	23.7	3.09	32.1	22.7	3.43
	80	72	45.5	22.1	2.14	43.5	21.2	2.34	41.8	20.6	2.56	39.4	19.6	2.81	37.1	18.7	3.09	34.8	17.8	3.42
	75	62	37.8	27	2.07	36.6	26.4	2.3	35.1	25.7	2.54	33.4	24.8	2.8	31.4	24	3.1	29.4	22.9	3.45
	75	67	41.1	22.1	2.1	39.7	21.4	2.32	38	20.6	2.55	36.2	19.9	2.8	34	18.9	3.09	31.7	17.8	3.43
1350	80	62	39.1	34.4	2.18	37.8	34.3	2.41	36.1	33.3	2.64	34.2	32.5	2.9	32.3	31.3	3.2	30.3	30	3.55
	80	67	42.4	28.8	2.21	40.9	28.2	2.42	39.1	27.3	2.65	37.1	26.4	2.9	34.9	25.4	3.19	32.7	24.5	3.53
	80	72	46.4	23.2	2.24	44.6	22.4	2.44	42.7	21.6	2.66	40.3	20.6	2.91	37.8	19.7	3.19	35.4	18.8	3.51
	75	62	38.9	29	2.18	37.6	28.3	2.41	36	27.7	2.64	34.1	26.8	2.9	32	25.7	3.2	29.9	24.6	3.55
	75	67	42.2	23.2	2.21	40.7	22.5	2.42	38.9	21.8	2.65	36.9	20.9	2.9	34.7	19.9	3.19	32.5	18.9	3.53

COOLING EXPANDED RATINGS WITH COIL

HSA4ME5M1SN42K + C85DAMX42U-B

CFM	O.D.T		65°F			75°F			85°F			95°F			105°F			115°F		
	E.D.B.	E.W.B.	T.C.	S.C.	K.W.	T.C.	S.C.	K.W.	T.C.	S.C.	K.W.	T.C.	S.C.	K.W.	T.C.	S.C.	K.W.	T.C.	S.C.	K.W.
1190	80	62	41.2	34.1	2.28	40.3	34	2.6	38.7	33.2	2.91	36.9	32.4	3.2	35	31	3.52	33	30.6	3.88
	80	67	44.9	28.9	2.25	43.7	28.4	2.57	42.1	27.7	2.87	40.2	26.8	3.16	38.2	26	3.48	36.1	25	3.83
	80	72	49.4	23.9	2.23	47.7	23.1	2.54	45.8	22.3	2.84	43.8	21.6	3.13	41.4	20.7	3.45	39.3	19.8	3.8
	75	62	41.1	29.2	2.28	39.9	28.3	2.61	38.6	28.1	2.9	36.8	27.1	3.2	34.8	26	3.52	32.8	25	3.88
1400	80	62	42.3	36.7	2.35	41.2	36.4	2.68	39.6	35.8	2.98	37.7	35	3.28	35.7	33.9	3.6	33.7	32.7	3.96
	80	67	46.1	30.7	2.32	44.8	30.1	2.64	43.1	29.4	2.94	41	28.5	3.24	39	27.5	3.56	36.8	26.6	3.91
	80	72	50.3	24.8	2.3	48.9	24.2	2.61	46.9	23.4	2.91	44.6	22.4	3.21	42.3	21.5	3.52	40	20.6	3.87
	75	62	42.3	30.9	2.36	40.7	29.8	2.68	39.5	29.8	2.98	37.6	28.9	3.28	35.6	27.8	3.6	33.5	26.7	3.96
1575	80	62	43	38.8	2.42	41.8	37.8	2.75	40.2	37.7	3.05	38.2	36.6	3.35	36.2	35.5	3.67	34.3	34.3	4.02
	80	67	46.8	32	2.38	45.4	31.4	2.71	43.6	30.6	3.01	41.6	29.7	3.3	39.4	28.8	3.62	37.2	28	3.97
	80	72	51.3	25.6	2.36	49.5	24.9	2.68	47.4	24	2.98	45.2	23.1	3.27	42.7	22.3	3.59	40.4	21.4	3.94
	75	62	42.6	31.7	2.42	41.3	30.9	2.75	39.7	30.2	3.05	38.1	30.2	3.35	36	28.9	3.67	33.8	27.9	4.02
75	67	46.7	25.8	2.39	45.3	25.2	2.71	43.6	24.5	3.01	41.4	23.5	3.3	39.1	22.4	3.62	36.9	21.4	3.97	

HSA4ME5M1SN48K + C85DAMX48U-B

CFM	O.D.T		65°F			75°F			85°F			95°F			105°F			115°F		
	E.D.B.	E.W.B.	T.C.	S.C.	K.W.	T.C.	S.C.	K.W.	T.C.	S.C.	K.W.	T.C.	S.C.	K.W.	T.C.	S.C.	K.W.	T.C.	S.C.	K.W.
1500	80	62	50.4	43.1	2.84	48.9	41.9	3.2	47	41.6	3.54	44.7	39.8	3.9	42.3	39.4	4.29	39.7	38.2	4.74
	80	67	54.8	36.2	2.82	53	35.5	3.18	50.9	34.4	3.53	48.6	33.5	3.88	46	32.3	4.26	43.5	31.6	4.7
	80	72	60.2	29.8	2.82	57.9	28.8	3.18	55.7	27.9	3.52	52.6	26.6	3.87	50.1	25.7	4.25	47.4	24.6	4.69
	75	62	50.4	36.6	2.85	48.8	35.9	3.2	46.9	35	3.55	44.5	33.8	3.9	42.1	32.8	4.29	39.5	31.7	4.74
1600	80	62	50.9	44.4	2.88	49.4	43.4	3.24	47.3	42.9	3.59	45.1	41.4	3.94	42.6	40.6	4.33	40.1	39.2	4.78
	80	67	55.3	37.1	2.86	53.6	36.4	3.22	51.4	35.3	3.57	49	34.4	3.92	46.4	33.1	4.3	43.8	32.4	4.75
	80	72	60.8	30.3	2.86	58.6	29.4	3.22	55.9	28.4	3.56	53.2	27.3	3.91	50.5	26.2	4.29	47.7	25.1	4.73
	75	62	50.7	37.4	2.89	49.2	36.5	3.24	47.2	35.7	3.59	44.9	34.7	3.94	42.4	33.7	4.33	39.8	32.6	4.78
1800	80	62	55.2	30.3	2.86	53.3	29.5	3.22	51.2	28.6	3.57	48.7	27.5	3.92	46.2	26.5	4.3	43.6	25.3	4.74
	80	67	51.7	46.5	2.96	50.1	46	3.32	48	45.1	3.67	45.7	44	4.02	43.2	42.5	4.41	40.8	40.8	4.86
	80	72	56.2	38.8	2.93	54.4	38.1	3.3	52.1	37	3.65	49.6	36	4	46.9	34.9	4.38	44.3	34	4.83
	75	62	51.6	39	2.96	50	38.6	3.32	47.9	37.5	3.67	45.5	36.6	4.02	43	35.4	4.41	40.4	34.2	4.87
75	67	56	31.4	2.94	54.1	30.6	3.3	51.8	29.5	3.65	49.3	28.5	4	46.7	27.3	4.38	44.1	26.2	4.82	

HSA4ME5M1SN60K + C85DAMX4960U-B

CFM	O.D.T		65°F			75°F			85°F			95°F			105°F			115°F		
	E.D.B.	E.W.B.	T.C.	S.C.	K.W.	T.C.	S.C.	K.W.	T.C.	S.C.	K.W.	T.C.	S.C.	K.W.	T.C.	S.C.	K.W.	T.C.	S.C.	K.W.
1580	80	62	59.9	49.1	3.36	57.8	48.3	3.77	55.6	47.4	4.17	53.1	46.2	4.6	50.7	44.6	5.08	48	43.2	5.64
	80	67	64.9	41.6	3.37	62.6	40.5	3.78	60.3	39.5	4.19	57.9	38.5	4.63	55.3	37.2	5.12	52.5	35.9	5.68
	80	72	70.3	34	3.38	67.9	33	3.8	65	31.7	4.21	62.8	30.9	4.66	60.3	29.8	5.16	57.2	28.6	5.73
	75	62	59.6	41.9	3.35	57.6	40.9	3.77	54.9	39	4.17	53	38.8	4.6	50.5	37.5	5.08	47.8	36	5.63
1875	80	62	64.7	34.4	3.37	62.4	33.3	3.78	60.1	32.4	4.19	57.6	31.3	4.62	55	30.1	5.12	52.1	28.8	5.67
	80	67	66.7	44.3	3.5	64.2	43.1	3.91	61.8	42.1	4.32	59.2	40.9	4.76	56.7	40.1	5.25	53.6	38.5	5.81
	80	72	72.2	35.6	3.51	69.4	34.4	3.92	67	33.5	4.34	64.2	32.5	4.79	61.5	31.5	5.3	58.5	30.2	5.87
	75	62	61.3	44.6	3.48	59.1	43.9	3.9	56.7	42.9	4.31	54.2	41.4	4.73	51.7	40.1	5.21	48.8	38.6	5.77
2000	80	62	66.4	36.1	3.5	63.7	34.9	3.91	61.6	33.9	4.32	59	32.8	4.76	56.1	31.6	5.25	53.4	30.5	5.81
	80	67	62.1	54.5	3.54	59.7	53.9	3.95	57.4	51.7	4.36	54.8	51.7	4.79	52.2	49.9	5.27	49.4	48.1	5.82
	80	72	67.3	45.3	3.55	64.9	44.3	3.96	62.3	43.2	4.37	59.7	42	4.82	56.9	40.9	5.31	54	39.6	5.87
	75	62	61.8	45.8	3.54	59.6	45	3.95	57.2	44	4.36	54.7	42.7	4.79	52	41.2	5.27	49.1	39.7	5.82
75	67	67.1	36.8	3.55	64.7	35.7	3.96	61.7	34.4	4.37	59.4	33.5	4.81	56.5	32.2	5.3	53.7	31.1	5.86	



GENERAL TERMS OF LIMITED WARRANTY

Nortek Global HVAC, LLC will furnish a replacement for any part of this product which fails in normal use and service within the terms and conditions of the warranty.

For complete details of the Limited Warranty, including applicable terms and conditions, see your local installer or contact the Nortek Global HVAC, LLC warranty department for a copy.

Before purchasing this appliance, read important energy cost and efficiency information available from your retailer. Specifications and illustrations subject to change without notice and without incurring obligations. Printed in U.S.A (07/2024)