

## RP94RD Series

### Single Packaged Air Conditioner

13.4 SEER2

1½ thru 5 Ton Units

Cooling: 17,800 to 58,000 BTUH

The RP94 Series single packaged air conditioners are high efficiency self contained cooling units that can be installed on a slab, roof curb, or metal stand. Heater kits are available as accessory items. Units are ETL and ETLc listed.



2 - 3 Ton Duct View



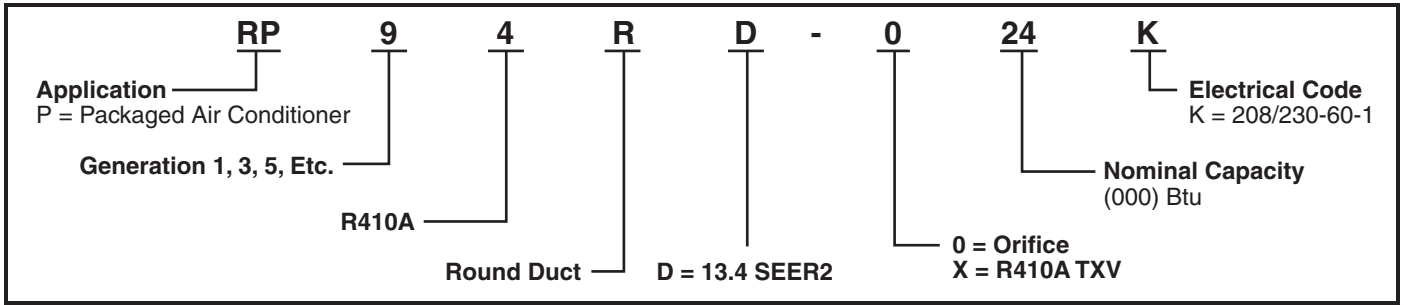
Typical 3.5 - 5 Ton Duct View

## FEATURES and BENEFITS

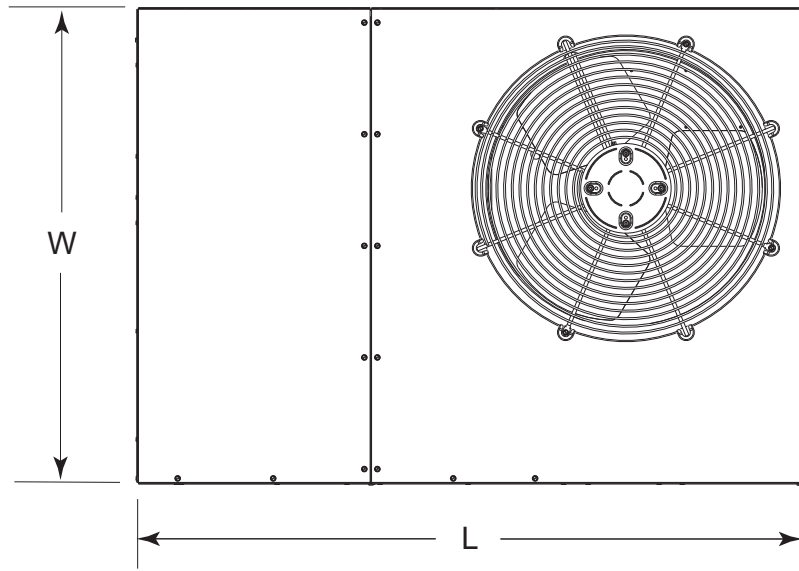
- **R-410A Refrigerent**
- **Quality Compressor:** State of the art compressor is standard equipment.
- **Hi Pressure Switches:** Ensure long compressor life.
- **All-Aluminum Coils:** Both indoor and outdoor coils are designed to optimize heat transfer, minimize size and cost, and increase durability and reliability.
- **ECM Blower Motor:** Fixed torque energy efficient brushless DC ECM motor, provides 5 speeds.
- **Permanently Lubricated Condenser Motor:** A heavy duty PSC motor for long lasting reliability and quiet operation. Requires no maintenance and is completely protected from rain and snow.
- **Low Voltage Transformer:** Includes 3 Amp fuse to protect low voltage circuit.
- **Liquid Line Filter Drier:** Factory installed at a convenient location for service.
- **Designed Using Galvanized Steel:** With a polyester urethane coat finish, the 950 hour salt spray finish is 1.5 mil thick and resists corrosion.
- **Compact Footprint and Profile:** Make the P7 Series easy to install and transport.
- **0" Clearance:** To combustibles on duct side of the unit allows for installations in tight areas.
- **Wire Guard Coated with Earth Friendly Epoxy and Plastic Mesh Hail Guard:** A guard that will never rust and protects the units coil from being damaged.
- **Raised Base Pan:** Allows water to drain away from the unit.
- **Easy Compressor and Control Access:** Designed to make servicing easier for the contractor, access panels are provided to all controls and the compressor from the front of the unit. Hi/low service ports allow refrigerant access without disrupting operation.
- **Easy Access:** To the evaporator coil for cleaning, blower assembly removal and general maintenance.
- **Drain Trap:** Design optimizes drainage capabilities.
- **Removable Top Grille Assembly:** Allows ease of service to the fan motor.
- **Optional Electric Heat:** Field installed 5 – 20 KW.
- **Notched Base Rail Supports:** Allow units to be set on roof curbs or metal stands.



# MODEL IDENTIFICATION CODE



# DIMENSIONS

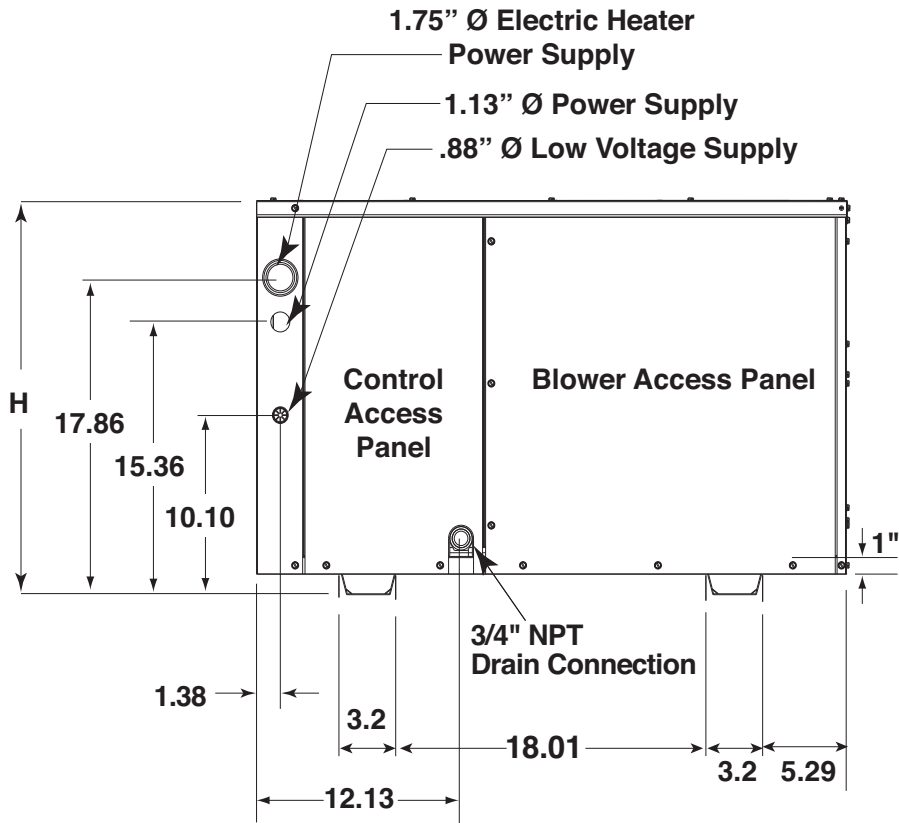


Top View

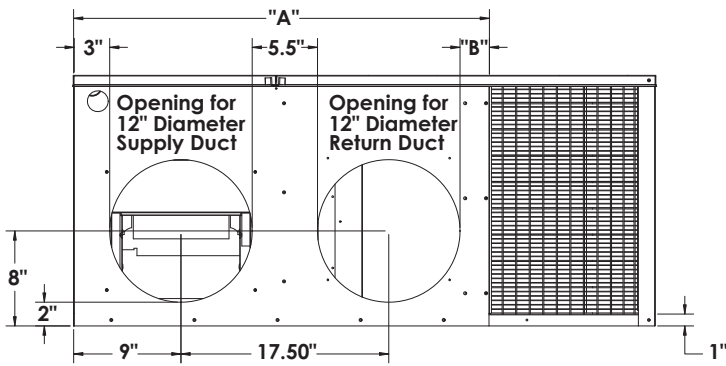
| Model No.<br>RP94RD | (L)<br>Length | (W)<br>Width | (H)<br>Height | A     | B    |
|---------------------|---------------|--------------|---------------|-------|------|
| 018K                | 49            | 35           | 22.2          | 35.02 | 2.48 |
| 024K                | 49            | 35           | 22.2          | 35.02 | 2.48 |
| 030K                | 49            | 35           | 22.2          | 35.02 | 2.48 |
| 036K                | 49            | 35           | 22.2          | 35.02 | 2.48 |
| 042K                | 49            | 35           | 30.2          | 35.02 | 2.48 |
| 048K                | 49            | 35           | 30.2          | 35.02 | 2.48 |
| 060K                | 63            | 35           | 38.2          | 35.02 | 2.48 |

| Model Number<br>RP94RD | Return<br>Diameter (in) | Supply<br>Diameter (in) |
|------------------------|-------------------------|-------------------------|
| 018K                   | 12                      | 12                      |
| 024K                   | 12                      | 12                      |
| 030K                   | 12                      | 12                      |
| 036K                   | 12                      | 12                      |
| 042K                   | 14                      | 12                      |
| 048K                   | 14                      | 12                      |
| 060K                   | 14                      | 12                      |

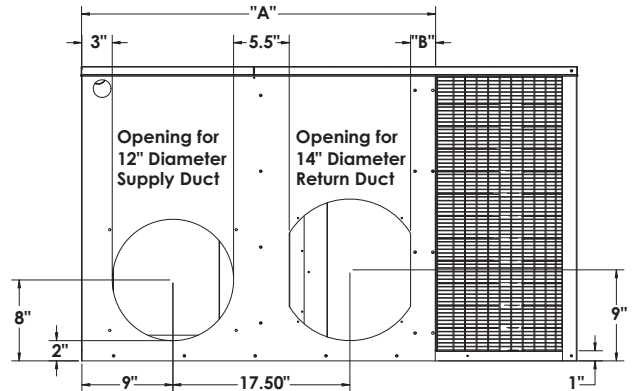
# DIMENSIONS Continued



Side View



(1.5, 2, 2.5, & 3 ton)



(3.5, 4, & 5 ton)

Back (Duct) View

# PHYSICAL SPECIFICATIONS

| Model No. RP94RD                          |                         | 018K         | 024K   | 030K   | 036K   | 042K   | 048K   | 060K   |
|---|-------------------------|--------------|--------|--------|--------|--------|--------|--------|
| <b>Performance Data</b>                   | Cooling Btu/h           | 17,800       | 22,600 | 29,000 | 34,600 | 39,500 | 46,000 | 57,500 |
|   | SEER2                   | 13.4         | 13.4   | 13.4   | 13.4   | 13.4   | 13.4   | 13.4   |
|   | EER2-A                  | 10.6         | 10.6   | 10.6   | 10.6   | 10.6   | 10.6   | 10.6   |
|   | Sound Ratings           | 72           | 73     | 77     | 77     | 76     | 76     | 75     |
| <b>Electrical Data</b>                    | Volts-Cycles-Phase (1)  | 208/230-60-1 |        |        |        |        |        |        |
|   | Operating Voltage Range | 187 - 253    |        |        |        |        |        |        |
|   | Total Amps              | 12.4         | 14.0   | 15.9   | 21.3   | 25.5   | 31.9   | 34.8   |
|   | Delay Fuse - Max. (2)   | 20           | 25     | 25     | 40     | 45     | 60     | 60     |
|   | Min. Circuit Ampacity   | 15.3         | 17.7   | 20.3   | 27.9   | 32.8   | 41.8   | 45.1   |
| <b>Compressor Data</b>                    | RLA                     | 8.4          | 10.3   | 12.6   | 18.6   | 20.7   | 27.9   | 29.3   |
|   | LRA                     | 36.0         | 43.0   | 57.0   | 79.0   | 110.0  | 105.3  | 134.0  |
| <b>Fan Motor</b>                          | HP                      | 1/5          | 1/5    | 1/8    | 1/8    | 1/4    | 1/4    | 1/4    |
|   | Amps                    | 1.0          | 1.0    | 0.8    | 0.8    | 1.5    | 1.5    | 1.5    |
| <b>Blower Motor</b>                       | HP                      | 1/2          | 1/2    | 1/2    | 1/2    | 3/4    | 3/4    | 1      |
|   | Amps                    | 3.8          | 3.8    | 3.8    | 3.8    | 5.4    | 5.4    | 7.0    |
| <b>R410A Refrigerant Charge</b>           | Oz.                     | 56.4         | 58.9   | 49.0   | 43.2   | 57.8   | 50.1   | 80.0   |
| <b>Approximate Shipping Weight (lbs.)</b> |                         | 238          | 237    | 243    | 246    | 303    | 304    | 394    |

(1) Operating Voltage Range: 187v min. - 253v max. Amperage and wire size based on refrigeration system only. See electrical data tables for supplemental electric heaters.

(2) HACR Type Circuit Breakers may be used.

# ELECTRICAL DATA

| Model       | Heater kw | Single Circuit |     | Multiple Supply Circuit Option       |     |                    |     |
|-------------|-----------|----------------|-----|--------------------------------------|-----|--------------------|-----|
|             |           | MCA            | MOP | Circuit A (Compressor, Blower & Fan) |     | Circuit B (Heater) |     |
|             |           |                |     | MCA                                  | MOP | MCA                | MOP |
| RP94RD-018K | 0         | 13.2           | 15  | -                                    | -   | -                  | -   |
|             | 5         | 29.8           | 30  | -                                    | -   | -                  | -   |
|             | 8         | 44.3           | 45  | -                                    | -   | -                  | -   |
|             | 10        | 54.8           | 60  | -                                    | -   | -                  | -   |
|             | 15        | 79.8           | 80  | 54.8                                 | 60  | 25                 | 30  |
| RP94RD-024K | 0         | 15.2           | 20  | -                                    | -   | -                  | -   |
|             | 5         | 29.8           | 30  | -                                    | -   | -                  | -   |
|             | 8         | 44.3           | 45  | -                                    | -   | -                  | -   |
|             | 10        | 54.8           | 60  | -                                    | -   | -                  | -   |
|             | 15        | 79.8           | 80  | 54.8                                 | 60  | 25                 | 30  |
| RP94RD-030K | 0         | 17.2           | 25  | -                                    | -   | -                  | -   |
|             | 5         | 29.8           | 30  | -                                    | -   | -                  | -   |
|             | 8         | 44.3           | 45  | -                                    | -   | -                  | -   |
|             | 10        | 54.8           | 60  | -                                    | -   | -                  | -   |
|             | 15        | 79.8           | 80  | 54.8                                 | 60  | 25                 | 30  |
| RP94RD-036K | 0         | 25.7           | 40  | -                                    | -   | -                  | -   |
|             | 5         | 29.8           | 40  | -                                    | -   | -                  | -   |
|             | 8         | 44.3           | 45  | -                                    | -   | -                  | -   |
|             | 10        | 54.8           | 60  | -                                    | -   | -                  | -   |
|             | 15        | 79.8           | 80  | 54.8                                 | 60  | 25                 | 30  |
| RP94RD-042K | 0         | 29.3           | 45  | -                                    | -   | -                  | -   |
|             | 5         | 31.9           | 45  | -                                    | -   | -                  | -   |
|             | 8         | 46.3           | 50  | -                                    | -   | -                  | -   |
|             | 10        | 56.8           | 60  | -                                    | -   | -                  | -   |
|             | 15        | 81.8           | 90  | 56.8                                 | 60  | 25                 | 30  |
|             | 20        | 106.8          | 110 | 56.8                                 | 60  | 50                 | 60  |
| RP94RD-048K | 0         | 34.2           | 50  | -                                    | -   | -                  | -   |
|             | 5         | 34.2           | 50  | -                                    | -   | -                  | -   |
|             | 8         | 46.3           | 50  | -                                    | -   | -                  | -   |
|             | 10        | 56.8           | 60  | -                                    | -   | -                  | -   |
|             | 15        | 81.8           | 90  | 56.8                                 | 60  | 25                 | 30  |
|             | 20        | 106.8          | 110 | 56.8                                 | 60  | 50                 | 60  |
| RP94RD-060K | 0         | 38.9           | 60  | -                                    | -   | -                  | -   |
|             | 5         | 38.9           | 60  | -                                    | -   | -                  | -   |
|             | 8         | 48.3           | 60  | -                                    | -   | -                  | -   |
|             | 10        | 58.8           | 60  | -                                    | -   | -                  | -   |
|             | 15        | 83.8           | 90  | 58.8                                 | 60  | 25                 | 30  |
|             | 20        | 108.8          | 110 | 58.8                                 | 60  | 50                 | 60  |

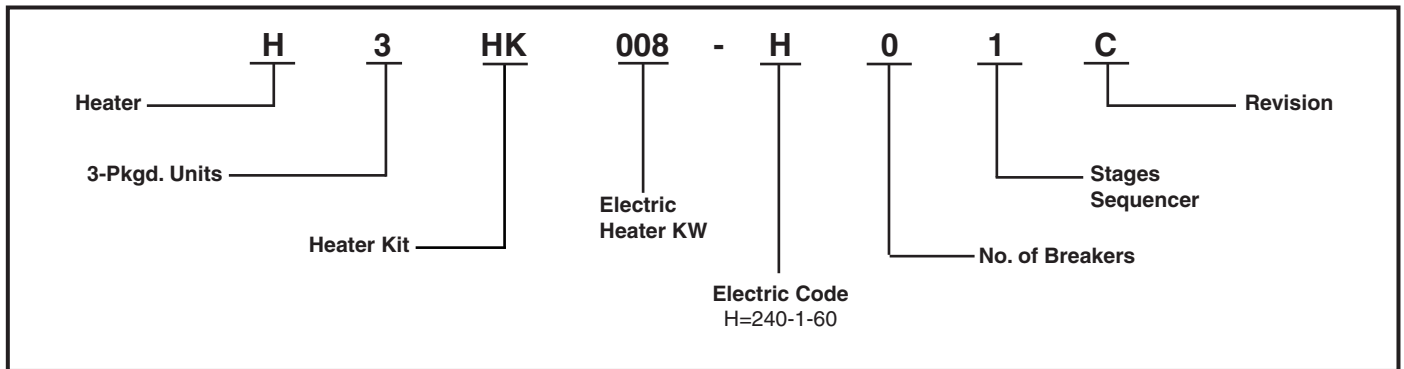
# ACCESSORIES

## Heater Application Matrix

| Model Number<br>RP94RD | H3HK-005H-01C<br>917166C | H3HK-008H-01C<br>917167C | H3HK-010H-01C<br>917168C | H3HK-015H-01C<br>917169C | H3HK-020H-01C<br>917170C | H3HK-015H-21C<br>917172C | H3HK-020H-21C<br>917173C |
|------------------------|--------------------------|--------------------------|--------------------------|--------------------------|--------------------------|--------------------------|--------------------------|
| 018K                   | X                        | X                        | X                        | X                        | NA                       | X                        | NA                       |
| 024K                   | X                        | X                        | X                        | X                        | NA                       | X                        | NA                       |
| 030K                   | X                        | X                        | X                        | X(2)                     | NA                       | X                        | NA                       |
| 036K                   | X                        | X                        | X                        | X(2)                     | NA                       | X                        | NA                       |
| 042K                   | X                        | X                        | X                        | X(2)                     | X(2)                     | X                        | X                        |
| 048K                   | X                        | X                        | X                        | X(2)                     | X(2)                     | X                        | X                        |
| 060K                   | X                        | X                        | X                        | X(2)                     | X(2)                     | X                        | X                        |

NA = Not Approved.  
 ( ) = Number of internal circuit breaker kits required.  
 X = Branch circuit protection only.

## Heater Kit Model Identification Code



## Accessories

| Description                           | Part Number |
|---------------------------------------|-------------|
| 4-Pole single circuit adaptor         | 913350      |
| 6-Pole single circuit adaptor         | 913556      |
| Circuit Breaker Single Phase (2-pole) | 913554      |
| Extreme High Wind Kit - Ground Mount  | 1013934     |
| 12" Duct Collar                       | 250101R     |
| 14" Duct Collar                       | 250102R     |

# BLOWER PERFORMANCE

| HEAT RISE DATA (BASED ON NOMINAL 10KW ELECTRIC HEAT KIT) |                |   |           |       |           |       |           |       |           |       |           |       |           |       |           |       |           |
|--|----------------|---|-----------|-------|-----------|-------|-----------|-------|-----------|-------|-----------|-------|-----------|-------|-----------|-------|-----------|
| UNIT   | BLOWER SETTING | EXTERNAL STATIC PRESSURE DROP - INCHES WATER COLUMN |           |       |           |       |           |       |           |       |           |       |           |       |           |       |           |
|  |                | 0.1   |           | 0.2   |           | 0.3   |           | 0.4   |           | 0.5   |           | 0.6   |           | 0.7   |           | 0.8   |           |
|  |                | CFM   | HEAT RISE | CFM   | HEAT RISE | CFM   | HEAT RISE | CFM   | HEAT RISE | CFM   | HEAT RISE | CFM   | HEAT RISE | CFM   | HEAT RISE | CFM   | HEAT RISE |
| 018K   | Tap T1         | 468   | 68        | 455   | 69        | 423   | 75        | 388   | 81        | 325   | 97        | 270   | -         | 203   | -         | 147   | -         |
|  | Tap T2         | 789   | 40        | 760   | 42        | 716   | 44        | 647   | 49        | 578   | 55        | 526   | 60        | 463   | 68        | 417   | 76        |
|  | Tap T3*        | 969   | 33        | 947   | 33        | 899   | 35        | 852   | 37        | 781   | 40        | 715   | 44        | 660   | 48        | 597   | 53        |
|  | Tap T4**       | 1,160   | 27        | 1,128 | 28        | 1,094 | 29        | 1,049 | 30        | 1,004 | 31        | 950   | 33        | 877   | 36        | 814   | 39        |
|  | Tap T5         | 1,292   | 24        | 1,258 | 25        | 1,216 | 26        | 1,178 | 27        | 1,124 | 28        | 1,077 | 29        | 1,022 | 31        | 963   | 33        |
| 024K   | Tap T1         | 789   | 40        | 760   | 42        | 716   | 44        | 647   | 49        | 578   | 55        | 526   | 60        | 463   | 68        | 417   | 76        |
|  | Tap T2         | 969   | 33        | 947   | 33        | 899   | 35        | 852   | 37        | 781   | 40        | 715   | 44        | 660   | 48        | 597   | 53        |
|  | Tap T3*        | 1,160   | 27        | 1,128 | 28        | 1,094 | 29        | 1,049 | 30        | 1,004 | 31        | 950   | 33        | 877   | 36        | 814   | 39        |
|  | Tap T4**       | 1,292   | 24        | 1,258 | 25        | 1,216 | 26        | 1,178 | 27        | 1,124 | 28        | 1,077 | 29        | 1,022 | 31        | 963   | 33        |
|  | Tap T5         | 1,436   | 22        | 1,400 | 23        | 1,363 | 23        | 1,324 | 24        | 1,275 | 25        | 1,226 | 26        | 1,179 | 27        | 1,125 | 28        |
| 030K   | Tap T1         | 937   | 34        | 917   | 34        | 866   | 36        | 819   | 39        | 744   | 42        | 676   | 47        | 624   | 51        | 561   | 56        |
|  | Tap T2**       | 1,160   | 27        | 1,128 | 28        | 1,094 | 29        | 1,049 | 30        | 1,004 | 31        | 950   | 33        | 877   | 36        | 814   | 39        |
|  | Tap T3         | 1,292   | 24        | 1,258 | 25        | 1,216 | 26        | 1,178 | 27        | 1,124 | 28        | 1,077 | 29        | 1,022 | 31        | 963   | 33        |
|  | Tap T4*        | 1,436   | 22        | 1,400 | 23        | 1,363 | 23        | 1,324 | 24        | 1,275 | 25        | 1,226 | 26        | 1,179 | 27        | 1,125 | 28        |
|  | Tap T5         | 1,570   | 20        | 1,535 | 21        | 1,494 | 21        | 1,458 | 22        | 1,416 | 22        | 1,372 | 23        | 1,322 | 24        | 1,273 | 25        |
| 036K   | Tap T1         | 1166  | 27        | 1124  | 28        | 1077  | 29        | 1018  | 31        | 954   | 33        | 903   | 35        | 825   | 38        | 764   | 41        |
|  | Tap T2**       | 1289  | 25        | 1,252 | 25        | 1210  | 26        | 1161  | 27        | 1120  | 28        | 1071  | 30        | 1013  | 31        | 954   | 33        |
|  | Tap T3         | 1460  | 22        | 1,415 | 22        | 1385  | 23        | 1335  | 24        | 1275  | 25        | 1,225 | 26        | 1,170 | 27        | 1120  | 28        |
|  | Tap T4*        | 1618  | 20        | 1,580 | 20        | 1543  | 20        | 1508  | 21        | 1478  | 21        | 1,443 | 22        | 1,388 | 23        | 1,345 | 23        |
|  | Tap T5         | 1635  | 19        | 1,598 | 20        | 1560  | 20        | 1527  | 21        | 1500  | 21        | 1,467 | 22        | 1,412 | 22        | 1,370 | 23        |
| 042K   | Tap T1         | 1,342   | 24        | 1,301 | 24        | 1,260 | 25        | 1,221 | 26        | 1,181 | 27        | 1,139 | 28        | 1,100 | 29        | 1,055 | 30        |
|  | Tap T2**       | 1,507   | 21        | 1,465 | 22        | 1,425 | 22        | 1,388 | 23        | 1,349 | 23        | 1,310 | 24        | 1,262 | 25        | 1,227 | 26        |
|  | Tap T3         | 1,759   | 18        | 1,724 | 18        | 1,690 | 19        | 1,650 | 19        | 1,613 | 20        | 1,571 | 20        | 1,532 | 21        | 1,488 | 21        |
|  | Tap T4*        | 1,928   | 16        | 1,891 | 17        | 1,857 | 17        | 1,819 | 17        | 1,778 | 18        | 1,740 | 18        | 1,705 | 19        | 1,664 | 19        |
|  | Tap T5         | 2,047   | 15        | 2,015 | 16        | 1,982 | 16        | 1,950 | 16        | 1,912 | 17        | 1,881 | 17        | 1,836 | 17        | 1,795 | 18        |
| 048K   | Tap T1         | 1,491   | 21        | 1,445 | 22        | 1,410 | 22        | 1,364 | 23        | 1,327 | 24        | 1,285 | 25        | 1,244 | 25        | 1,195 | 26        |
|  | Tap T2**       | 1,623   | 19        | 1,580 | 20        | 1,546 | 20        | 1,499 | 21        | 1,454 | 22        | 1,416 | 22        | 1,368 | 23        | 1,336 | 24        |
|  | Tap T3         | 1,736   | 18        | 1,702 | 19        | 1,668 | 19        | 1,631 | 19        | 1,594 | 20        | 1,550 | 20        | 1,508 | 21        | 1,465 | 22        |
|  | Tap T4*        | 1,878   | 17        | 1,839 | 17        | 1,806 | 17        | 1,768 | 18        | 1,726 | 18        | 1,690 | 19        | 1,657 | 19        | 1,609 | 20        |
|  | Tap T5         | 2,027   | 16        | 1,991 | 16        | 1,963 | 16        | 1,932 | 16        | 1,890 | 17        | 1,854 | 17        | 1,807 | 17        | 1,766 | 18        |
| 060K   | Tap T1         | 1,382   | 23        | 1,341 | 24        | 1,298 | 24        | 1,267 | 25        | 1,232 | 26        | 1,185 | 27        | 1,151 | 27        | 1,116 | 28        |
|  | Tap T2**       | 1,512   | 21        | 1,459 | 22        | 1,443 | 22        | 1,400 | 23        | 1,367 | 23        | 1,335 | 24        | 1,298 | 24        | 1,271 | 25        |
|  | Tap T3         | 1,734   | 18        | 1,700 | 19        | 1,670 | 19        | 1,642 | 19        | 1,606 | 20        | 1,575 | 20        | 1,543 | 20        | 1,509 | 21        |
|  | Tap T4*        | 2,006   | 16        | 1,981 | 16        | 1,946 | 16        | 1,914 | 17        | 1,885 | 17        | 1,844 | 17        | 1,813 | 17        | 1,776 | 18        |
|  | Tap T5         | 2,147   | 15        | 2,124 | 15        | 2,097 | 15        | 2,060 | 15        | 2,022 | 16        | 1,988 | 16        | 1,954 | 16        | 1,916 | 16        |

## NOTES

Temperature rises shaded gray are for reference only. These conditions are not recommended.

\* Denotes factory set cooling speed

\*\* Denotes factory set electric heating speed

| Conversion    |         |
|---------------|---------|
| KW/h to Btu/h | 3412.1  |
| KW/h          | Btu/h   |
| 5             | 17060.7 |
| 8             | 27297.1 |
| 10            | 34121.4 |
| 15            | 51182.1 |
| 20            | 68242.8 |

Heat rise

$$\text{Btu/h} = \text{CFM} \times \Delta T \times 1.08$$

$$\Delta T = (\text{Btu/h}) / (\text{CFM} \times 1.08)$$



# COOLING EXPANDED RATINGS

## RP94RD-018K

| CFM | O.D.T. | I.W.B. | 65°F |      |      | 75°F |      |      | 85°F |      |      | 95°F |      |      | 105°F |      |      | 115°F |      |      |
|-----|--------|--------|------|------|------|------|------|------|------|------|------|------|------|------|-------|------|------|-------|------|------|
|     | E.D.B. | E.W.B. | T.C. | S.C. | K.W. | T.C. | S.C. | K.W. | T.C. | S.C. | K.W. | T.C. | S.C. | K.W. | T.C.  | S.C. | K.W. | T.C.  | S.C. | K.W. |
| 550 | 80     | 62     | 20.0 | 16.3 | 1.0  | 19.2 | 16.1 | 1.1  | 18.1 | 15.7 | 1.2  | 16.5 | 15.0 | 1.3  | 14.8  | 14.0 | 1.4  | 13.2  | 13.1 | 1.6  |
|     | 80     | 67     | 22.1 | 14.5 | 1.0  | 21.1 | 14.0 | 1.1  | 19.8 | 13.4 | 1.2  | 18.3 | 12.7 | 1.3  | 16.5  | 11.9 | 1.5  | 14.6  | 11.0 | 1.6  |
|     | 80     | 72     | 24.1 | 12.2 | 0.9  | 22.8 | 11.6 | 1.1  | 21.3 | 10.9 | 1.2  | 19.8 | 10.3 | 1.3  | 18.1  | 9.5  | 1.5  | 16.3  | 8.8  | 1.6  |
|     | 75     | 62     | 19.6 | 13.9 | 1.0  | 18.9 | 13.6 | 1.1  | 17.6 | 13.2 | 1.2  | 16.2 | 12.5 | 1.3  | 14.5  | 11.6 | 1.4  | 12.9  | 10.8 | 1.6  |
|     | 75     | 67     | 20.5 | 11.4 | 1.0  | 20.8 | 11.6 | 1.1  | 19.5 | 11.0 | 1.2  | 17.9 | 10.2 | 1.3  | 16.2  | 9.4  | 1.5  | 14.1  | 8.4  | 1.6  |
| 650 | 80     | 62     | 20.1 | 16.9 | 1.1  | 19.6 | 17.2 | 1.2  | 18.3 | 16.7 | 1.3  | 16.6 | 15.8 | 1.4  | 14.8  | 14.8 | 1.6  | 13.4  | 13.4 | 1.7  |
|     | 80     | 67     | 22.6 | 15.2 | 1.1  | 21.4 | 14.6 | 1.2  | 20.0 | 14.0 | 1.3  | 18.3 | 13.2 | 1.4  | 16.5  | 12.3 | 1.6  | 14.5  | 11.4 | 1.7  |
|     | 80     | 72     | 24.3 | 12.3 | 1.1  | 23.0 | 11.7 | 1.2  | 21.4 | 11.0 | 1.3  | 19.9 | 10.4 | 1.5  | 18.1  | 9.7  | 1.6  | 16.3  | 8.9  | 1.8  |
|     | 75     | 62     | 19.7 | 14.2 | 1.1  | 19.3 | 14.5 | 1.2  | 18.0 | 13.9 | 1.3  | 16.3 | 13.0 | 1.4  | 14.5  | 12.2 | 1.6  | 12.8  | 11.3 | 1.7  |
|     | 75     | 67     | 22.1 | 12.3 | 1.1  | 20.9 | 11.7 | 1.2  | 19.6 | 11.1 | 1.3  | 18.0 | 10.4 | 1.4  | 16.1  | 9.5  | 1.6  | 14.2  | 8.7  | 1.7  |
| 750 | 80     | 62     | 20.0 | 17.2 | 1.3  | 19.6 | 18.1 | 1.4  | 18.1 | 17.3 | 1.5  | 16.4 | 16.2 | 1.6  | 14.8  | 14.8 | 1.8  | 13.3  | 13.3 | 1.9  |
|     | 80     | 67     | 22.6 | 15.5 | 1.3  | 21.3 | 14.8 | 1.4  | 19.9 | 14.2 | 1.5  | 18.1 | 13.5 | 1.6  | 16.2  | 12.6 | 1.8  | 14.2  | 11.7 | 1.9  |
|     | 80     | 72     | 24.2 | 12.3 | 1.2  | 22.8 | 11.6 | 1.4  | 21.2 | 10.8 | 1.5  | 19.6 | 10.3 | 1.6  | 17.9  | 9.6  | 1.8  | 16.0  | 8.8  | 1.9  |
|     | 75     | 62     | 19.5 | 14.2 | 1.3  | 19.3 | 14.9 | 1.4  | 17.8 | 14.2 | 1.5  | 16.1 | 13.3 | 1.6  | 14.1  | 12.4 | 1.8  | 12.4  | 11.5 | 1.9  |
|     | 75     | 67     | 22.0 | 12.2 | 1.3  | 20.8 | 11.6 | 1.4  | 19.5 | 11.1 | 1.5  | 17.8 | 10.3 | 1.6  | 15.9  | 9.5  | 1.8  | 13.8  | 8.5  | 1.9  |

## RP94RD-024K

| CFM | O.D.T. | I.W.B. | 65°F |      |      | 75°F |      |      | 85°F |      |      | 95°F |      |      | 105°F |      |      | 115°F |      |      |
|-----|--------|--------|------|------|------|------|------|------|------|------|------|------|------|------|-------|------|------|-------|------|------|
|     | E.D.B. | E.W.B. | T.C. | S.C. | K.W. | T.C. | S.C. | K.W. | T.C. | S.C. | K.W. | T.C. | S.C. | K.W. | T.C.  | S.C. | K.W. | T.C.  | S.C. | K.W. |
| 750 | 80     | 62     | 25.2 | 21.0 | 1.39 | 23.7 | 20.3 | 1.54 | 22.2 | 19.5 | 1.71 | 20.4 | 18.7 | 1.90 | 18.4  | 17.6 | 2.08 | 16.3  | 16.3 | 2.28 |
|     | 80     | 67     | 27.2 | 17.9 | 1.38 | 25.7 | 17.1 | 1.54 | 24.1 | 16.3 | 1.73 | 22.4 | 15.6 | 1.91 | 20.2  | 14.6 | 2.11 | 17.9  | 13.6 | 2.31 |
|     | 80     | 72     | 29.2 | 14.6 | 1.35 | 27.7 | 13.9 | 1.53 | 25.9 | 13.1 | 1.72 | 24.0 | 12.2 | 1.92 | 22.1  | 11.5 | 2.13 | 19.8  | 10.5 | 2.34 |
|     | 75     | 62     | 24.6 | 17.8 | 1.39 | 23.4 | 17.1 | 1.54 | 21.8 | 16.3 | 1.71 | 20.0 | 15.4 | 1.90 | 18.0  | 14.4 | 2.08 | 15.8  | 13.4 | 2.27 |
|     | 75     | 67     | 26.7 | 14.6 | 1.38 | 25.2 | 13.9 | 1.54 | 23.7 | 13.1 | 1.73 | 22.0 | 12.3 | 1.91 | 19.9  | 11.4 | 2.11 | 17.6  | 10.3 | 2.31 |
| 850 | 80     | 62     | 25.8 | 22.2 | 1.39 | 24.4 | 21.5 | 1.54 | 22.7 | 20.7 | 1.71 | 20.8 | 19.8 | 1.90 | 18.8  | 18.6 | 2.09 | 16.8  | 16.9 | 2.29 |
|     | 80     | 67     | 27.8 | 18.7 | 1.37 | 26.3 | 18.0 | 1.54 | 24.6 | 17.2 | 1.72 | 22.8 | 16.4 | 1.91 | 20.6  | 15.4 | 2.11 | 18.3  | 14.4 | 2.31 |
|     | 80     | 72     | 29.8 | 15.2 | 1.34 | 28.2 | 14.5 | 1.53 | 26.3 | 13.6 | 1.72 | 24.4 | 12.7 | 1.92 | 22.5  | 12.0 | 2.13 | 20.2  | 11.0 | 2.35 |
|     | 75     | 62     | 25.2 | 18.6 | 1.39 | 24.0 | 18.0 | 1.54 | 22.3 | 17.2 | 1.71 | 20.4 | 16.3 | 1.90 | 18.3  | 15.3 | 2.09 | 16.1  | 14.0 | 2.28 |
|     | 75     | 67     | 27.2 | 15.2 | 1.37 | 25.6 | 14.4 | 1.54 | 24.2 | 13.7 | 1.72 | 22.4 | 12.9 | 1.91 | 20.2  | 11.9 | 2.11 | 17.9  | 10.8 | 2.31 |
| 950 | 80     | 62     | 26.2 | 23.4 | 1.38 | 24.8 | 22.6 | 1.54 | 23.1 | 21.8 | 1.71 | 21.2 | 20.8 | 1.90 | 19.3  | 19.3 | 2.09 | 17.3  | 17.3 | 2.29 |
|     | 80     | 67     | 28.3 | 19.6 | 1.36 | 26.7 | 18.7 | 1.54 | 25.1 | 18.0 | 1.72 | 23.2 | 17.3 | 1.91 | 20.9  | 16.2 | 2.12 | 18.5  | 15.3 | 2.32 |
|     | 80     | 72     | 30.2 | 15.7 | 1.33 | 28.6 | 14.9 | 1.52 | 26.7 | 14.0 | 1.71 | 24.7 | 13.1 | 1.92 | 22.8  | 12.4 | 2.14 | 20.4  | 11.5 | 2.35 |
|     | 75     | 62     | 25.7 | 19.5 | 1.38 | 24.4 | 18.9 | 1.54 | 22.7 | 18.1 | 1.71 | 20.8 | 17.1 | 1.90 | 18.6  | 16.2 | 2.09 | 16.3  | 15.0 | 2.28 |
|     | 75     | 67     | 27.6 | 15.7 | 1.37 | 26.0 | 14.9 | 1.54 | 24.6 | 14.1 | 1.72 | 22.8 | 13.4 | 1.91 | 20.5  | 12.4 | 2.11 | 18.1  | 11.3 | 2.31 |

## RP94RD-030K

| CFM  | O.D.T. | I.W.B. | 65°F |      |      | 75°F |      |      | 85°F |      |      | 95°F |      |      | 105°F |      |      | 115°F |      |      |
|------|--------|--------|------|------|------|------|------|------|------|------|------|------|------|------|-------|------|------|-------|------|------|
|      | E.D.B. | E.W.B. | T.C. | S.C. | K.W. | T.C. | S.C. | K.W. | T.C. | S.C. | K.W. | T.C. | S.C. | K.W. | T.C.  | S.C. | K.W. | T.C.  | S.C. | K.W. |
| 950  | 80     | 62     | 33.2 | 27.3 | 2.04 | 30.8 | 26.2 | 2.23 | 28.2 | 24.8 | 2.44 | 25.3 | 23.5 | 2.65 | 22.3  | 21.7 | 2.89 | 19.4  | 19.4 | 3.16 |
|      | 80     | 67     | 36.1 | 23.4 | 2.02 | 33.4 | 21.9 | 2.22 | 30.9 | 20.8 | 2.44 | 28.0 | 19.4 | 2.67 | 24.7  | 18.0 | 2.93 | 21.3  | 16.4 | 3.20 |
|      | 80     | 72     | 39.0 | 19.2 | 1.99 | 36.2 | 17.9 | 2.21 | 33.3 | 16.5 | 2.43 | 30.7 | 15.3 | 2.68 | 27.4  | 13.9 | 2.95 | 23.7  | 12.4 | 3.25 |
|      | 75     | 62     | 32.3 | 23.0 | 2.04 | 30.1 | 21.9 | 2.23 | 27.5 | 20.6 | 2.44 | 24.7 | 19.1 | 2.65 | 21.6  | 17.5 | 2.89 | 18.3  | 15.9 | 3.15 |
|      | 75     | 67     | 35.1 | 19.0 | 2.02 | 32.5 | 17.6 | 2.22 | 30.2 | 16.5 | 2.44 | 27.3 | 15.1 | 2.67 | 24.0  | 13.6 | 2.93 | 20.6  | 12.0 | 3.20 |
| 1050 | 80     | 62     | 34.5 | 29.2 | 1.86 | 32.0 | 28.1 | 2.05 | 29.3 | 26.5 | 2.26 | 26.4 | 25.3 | 2.48 | 23.3  | 23.3 | 2.72 | 20.6  | 20.6 | 2.99 |
|      | 80     | 67     | 37.4 | 24.9 | 1.84 | 34.7 | 23.4 | 2.05 | 32.1 | 22.3 | 2.27 | 29.0 | 20.9 | 2.50 | 25.7  | 19.5 | 2.76 | 22.2  | 17.8 | 3.03 |
|      | 80     | 72     | 40.2 | 20.4 | 1.81 | 37.3 | 19.0 | 2.03 | 34.4 | 17.7 | 2.26 | 31.8 | 16.5 | 2.51 | 28.4  | 15.1 | 2.78 | 24.7  | 13.5 | 3.08 |
|      | 75     | 62     | 33.5 | 24.6 | 1.86 | 31.3 | 23.5 | 2.06 | 28.6 | 22.2 | 2.26 | 25.7 | 20.6 | 2.48 | 22.5  | 19.0 | 2.72 | 19.2  | 17.4 | 2.98 |
|      | 75     | 67     | 36.4 | 20.2 | 1.84 | 33.7 | 18.8 | 2.05 | 31.4 | 17.7 | 2.27 | 28.3 | 16.2 | 2.50 | 25.0  | 14.7 | 2.76 | 21.5  | 13.1 | 3.03 |
| 1150 | 80     | 62     | 36.1 | 31.5 | 1.56 | 33.6 | 30.4 | 1.76 | 30.8 | 29.1 | 1.97 | 27.8 | 27.3 | 2.19 | 25.1  | 25.1 | 2.43 | 22.1  | 22.1 | 2.71 |
|      | 80     | 67     | 39.0 | 26.8 | 1.54 | 36.3 | 25.4 | 1.75 | 33.6 | 24.3 | 1.97 | 30.5 | 22.9 | 2.21 | 27.1  | 21.4 | 2.46 | 23.5  | 19.7 | 2.74 |
|      | 80     | 72     | 41.8 | 22.0 | 1.51 | 38.9 | 20.7 | 1.73 | 35.9 | 19.1 | 1.96 | 33.3 | 18.1 | 2.21 | 29.8  | 16.6 | 2.49 | 26.0  | 15.1 | 2.78 |
|      | 75     | 62     | 35.2 | 26.6 | 1.56 | 32.9 | 25.5 | 1.76 | 30.1 | 24.1 | 1.97 | 27.1 | 22.6 | 2.19 | 23.9  | 20.9 | 2.43 | 20.5  | 19.3 | 2.69 |
|      | 75     | 67     | 37.9 | 21.8 | 1.54 | 35.2 | 20.3 | 1.75 | 32.9 | 19.3 | 1.97 | 29.8 | 17.8 | 2.21 | 26.4  | 16.3 | 2.46 | 22.8  | 14.6 | 2.74 |

# COOLING EXPANDED RATINGS (CONTINUED)

## RP94RD-036K

| CFM  | O.D.T. | I.W.B. | 65°F |      |      | 75°F |      |      | 85°F |      |      | 95°F |      |      | 105°F |      |      | 115°F |      |      |
|------|--------|--------|------|------|------|------|------|------|------|------|------|------|------|------|-------|------|------|-------|------|------|
|      | E.D.B. | E.W.B. | T.C. | S.C. | K.W. | T.C. | S.C. | K.W. | T.C. | S.C. | K.W. | T.C. | S.C. | K.W. | T.C.  | S.C. | K.W. | T.C.  | S.C. | K.W. |
| 1150 | 80     | 62     | 39.9 | 34.5 | 2.30 | 37.4 | 33.1 | 2.55 | 34.8 | 32.1 | 2.81 | 31.9 | 30.8 | 3.10 | 28.9  | 28.7 | 3.43 | 26.2  | 26.2 | 3.80 |
|      | 80     | 67     | 43.2 | 29.0 | 2.33 | 40.7 | 28.0 | 2.58 | 38.0 | 26.7 | 2.85 | 35.1 | 25.3 | 3.15 | 32.0  | 24.0 | 3.48 | 28.6  | 22.7 | 3.85 |
|      | 80     | 72     | 46.1 | 23.4 | 2.36 | 43.5 | 22.3 | 2.61 | 41.2 | 21.2 | 2.89 | 38.4 | 20.2 | 3.20 | 35.3  | 18.8 | 3.54 | 31.9  | 17.4 | 3.92 |
|      | 75     | 62     | 39.3 | 29.1 | 2.30 | 36.9 | 27.8 | 2.55 | 34.2 | 26.4 | 2.81 | 31.3 | 25.3 | 3.10 | 28.3  | 23.7 | 3.43 | 24.9  | 22.3 | 3.79 |
|      | 75     | 67     | 42.2 | 23.5 | 2.33 | 40.0 | 22.5 | 2.58 | 37.4 | 21.3 | 2.85 | 34.5 | 20.0 | 3.15 | 31.4  | 18.5 | 3.48 | 28.0  | 16.9 | 3.85 |
| 1250 | 80     | 62     | 40.6 | 36.0 | 2.28 | 38.1 | 34.6 | 2.53 | 35.4 | 33.4 | 2.79 | 32.4 | 32.0 | 3.08 | 29.7  | 29.8 | 3.41 | 26.9  | 26.9 | 3.78 |
|      | 80     | 67     | 43.7 | 30.2 | 2.31 | 41.4 | 29.0 | 2.56 | 38.6 | 27.8 | 2.83 | 35.7 | 26.4 | 3.13 | 32.5  | 25.2 | 3.46 | 29.1  | 23.6 | 3.83 |
|      | 80     | 72     | 46.7 | 24.1 | 2.34 | 44.1 | 22.9 | 2.59 | 41.7 | 22.0 | 2.87 | 38.9 | 20.9 | 3.18 | 35.8  | 19.5 | 3.52 | 32.3  | 18.2 | 3.90 |
|      | 75     | 62     | 40.0 | 30.3 | 2.28 | 37.5 | 29.0 | 2.53 | 34.8 | 27.8 | 2.79 | 31.8 | 26.5 | 3.08 | 28.7  | 25.0 | 3.41 | 25.3  | 23.3 | 3.77 |
|      | 75     | 67     | 42.8 | 24.2 | 2.31 | 40.6 | 23.3 | 2.56 | 38.0 | 22.1 | 2.83 | 35.0 | 20.8 | 3.13 | 31.8  | 19.3 | 3.46 | 28.4  | 17.7 | 3.83 |
| 1350 | 80     | 62     | 41.2 | 37.5 | 2.25 | 38.7 | 36.0 | 2.50 | 35.9 | 35.2 | 2.76 | 33.1 | 32.9 | 3.06 | 30.5  | 30.5 | 3.39 | 27.5  | 27.6 | 3.76 |
|      | 80     | 67     | 44.4 | 31.2 | 2.28 | 41.9 | 30.2 | 2.53 | 39.2 | 29.0 | 2.81 | 36.2 | 27.5 | 3.11 | 32.9  | 26.4 | 3.44 | 29.4  | 25.0 | 3.80 |
|      | 80     | 72     | 47.2 | 24.8 | 2.31 | 44.6 | 23.6 | 2.56 | 42.2 | 22.7 | 2.84 | 39.5 | 21.6 | 3.16 | 36.2  | 20.3 | 3.50 | 32.7  | 18.9 | 3.87 |
|      | 75     | 62     | 40.6 | 31.4 | 2.26 | 38.1 | 30.1 | 2.50 | 35.3 | 28.9 | 2.76 | 32.3 | 27.5 | 3.05 | 29.1  | 25.9 | 3.38 | 25.6  | 24.5 | 3.74 |
|      | 75     | 67     | 43.3 | 24.9 | 2.28 | 41.3 | 24.0 | 2.53 | 38.6 | 22.9 | 2.81 | 35.6 | 21.5 | 3.10 | 32.3  | 20.0 | 3.43 | 28.8  | 18.5 | 3.80 |

## RP94RD-042K

| CFM  | O.D.T. | I.W.B. | 65°F |      |      | 75°F |      |      | 85°F |      |      | 95°F |      |      | 105°F |      |      | 115°F |      |      |
|------|--------|--------|------|------|------|------|------|------|------|------|------|------|------|------|-------|------|------|-------|------|------|
|      | E.D.B. | E.W.B. | T.C. | S.C. | K.W. | T.C. | S.C. | K.W. | T.C. | S.C. | K.W. | T.C. | S.C. | K.W. | T.C.  | S.C. | K.W. | T.C.  | S.C. | K.W. |
| 1450 | 80     | 62     | 44.1 | 37.5 | 2.62 | 41.9 | 36.5 | 2.86 | 39.6 | 35.4 | 3.13 | 37.0 | 34.2 | 3.44 | 34.2  | 32.9 | 3.79 | 31.2  | 31.1 | 4.16 |
|      | 80     | 67     | 48.0 | 31.8 | 2.63 | 45.5 | 30.6 | 2.87 | 43.0 | 29.4 | 3.14 | 40.4 | 28.3 | 3.46 | 37.5  | 27.0 | 3.82 | 34.3  | 25.6 | 4.20 |
|      | 80     | 72     | 51.7 | 25.9 | 2.63 | 49.0 | 24.7 | 2.88 | 46.2 | 23.4 | 3.16 | 43.4 | 22.1 | 3.47 | 40.9  | 21.2 | 3.83 | 37.6  | 19.8 | 4.22 |
|      | 75     | 62     | 43.6 | 31.6 | 2.62 | 41.4 | 30.7 | 2.86 | 39.1 | 29.6 | 3.13 | 36.5 | 28.3 | 3.44 | 33.7  | 26.9 | 3.79 | 30.7  | 25.5 | 4.17 |
|      | 75     | 67     | 47.1 | 25.8 | 2.63 | 44.7 | 24.7 | 2.87 | 42.5 | 23.6 | 3.15 | 39.9 | 22.4 | 3.46 | 37.0  | 21.1 | 3.82 | 33.8  | 19.7 | 4.20 |
| 1625 | 80     | 62     | 45.1 | 39.6 | 2.62 | 42.8 | 38.4 | 2.86 | 40.3 | 37.2 | 3.13 | 37.6 | 36.2 | 3.44 | 34.8  | 34.5 | 3.79 | 32.3  | 32.3 | 4.18 |
|      | 80     | 67     | 48.9 | 33.3 | 2.63 | 46.3 | 32.0 | 2.87 | 43.8 | 30.8 | 3.15 | 41.1 | 29.8 | 3.47 | 38.1  | 28.4 | 3.82 | 34.8  | 27.1 | 4.21 |
|      | 80     | 72     | 52.6 | 26.8 | 2.64 | 49.8 | 25.5 | 2.88 | 47.0 | 24.2 | 3.16 | 44.0 | 22.9 | 3.47 | 41.5  | 22.0 | 3.83 | 38.2  | 20.6 | 4.22 |
|      | 75     | 62     | 44.5 | 32.9 | 2.62 | 42.3 | 32.2 | 2.86 | 39.8 | 31.0 | 3.13 | 37.1 | 29.7 | 3.45 | 34.2  | 28.4 | 3.79 | 31.2  | 26.6 | 4.17 |
|      | 75     | 67     | 48.0 | 26.8 | 2.63 | 45.5 | 25.6 | 2.87 | 43.2 | 24.5 | 3.15 | 40.6 | 23.3 | 3.47 | 37.6  | 22.0 | 3.82 | 34.3  | 20.6 | 4.21 |
| 1700 | 80     | 62     | 45.4 | 40.3 | 2.63 | 43.1 | 39.2 | 2.86 | 40.6 | 38.1 | 3.13 | 37.9 | 36.9 | 3.45 | 35.1  | 35.0 | 3.80 | 32.7  | 32.7 | 4.18 |
|      | 80     | 67     | 49.2 | 33.8 | 2.63 | 46.6 | 32.6 | 2.87 | 44.2 | 31.5 | 3.15 | 41.4 | 30.4 | 3.47 | 38.3  | 29.0 | 3.82 | 35.0  | 27.7 | 4.21 |
|      | 80     | 72     | 52.9 | 27.2 | 2.64 | 50.1 | 25.9 | 2.88 | 47.2 | 24.6 | 3.16 | 44.2 | 23.3 | 3.47 | 41.7  | 22.3 | 3.83 | 38.4  | 21.0 | 4.22 |
|      | 75     | 62     | 44.6 | 33.7 | 2.62 | 42.6 | 32.8 | 2.86 | 40.1 | 31.6 | 3.14 | 37.4 | 30.3 | 3.45 | 34.4  | 29.1 | 3.79 | 31.4  | 27.4 | 4.17 |
|      | 75     | 67     | 48.3 | 27.2 | 2.63 | 45.7 | 25.9 | 2.87 | 43.5 | 24.9 | 3.15 | 40.8 | 23.8 | 3.47 | 37.8  | 22.4 | 3.82 | 34.5  | 20.9 | 4.21 |

## RP94RD-048K

| CFM  | O.D.T. | I.W.B. | 65°F |      |      | 75°F |      |      | 85°F |      |      | 95°F |      |      | 105°F |      |      | 115°F |      |      |
|------|--------|--------|------|------|------|------|------|------|------|------|------|------|------|------|-------|------|------|-------|------|------|
|      | E.D.B. | E.W.B. | T.C. | S.C. | K.W. | T.C. | S.C. | K.W. | T.C. | S.C. | K.W. | T.C. | S.C. | K.W. | T.C.  | S.C. | K.W. | T.C.  | S.C. | K.W. |
| 1450 | 80     | 62     | 49.6 | 40.5 | 3.26 | 46.7 | 39.1 | 3.54 | 43.7 | 37.5 | 3.86 | 40.5 | 36.1 | 4.22 | 37.1  | 34.4 | 4.62 | 33.3  | 32.3 | 5.06 |
|      | 80     | 67     | 54.3 | 34.4 | 3.29 | 51.4 | 33.0 | 3.57 | 48.3 | 31.6 | 3.90 | 45.1 | 30.2 | 4.28 | 41.5  | 28.5 | 4.69 | 37.5  | 26.8 | 5.13 |
|      | 80     | 72     | 58.4 | 27.7 | 3.30 | 55.5 | 26.1 | 3.59 | 52.3 | 25.1 | 3.92 | 48.9 | 23.7 | 4.29 | 45.3  | 22.1 | 4.70 | 41.3  | 20.6 | 5.14 |
|      | 75     | 62     | 49.2 | 34.5 | 3.27 | 46.2 | 33.0 | 3.55 | 43.2 | 31.5 | 3.86 | 40.1 | 29.8 | 4.22 | 36.6  | 28.1 | 4.62 | 32.9  | 26.3 | 5.06 |
|      | 75     | 67     | 53.8 | 28.2 | 3.29 | 50.9 | 26.8 | 3.57 | 47.9 | 25.3 | 3.90 | 44.8 | 24.0 | 4.27 | 41.1  | 22.3 | 4.68 | 37.0  | 20.5 | 5.13 |
| 1580 | 80     | 62     | 51.5 | 43.2 | 2.97 | 48.5 | 41.7 | 3.25 | 45.4 | 40.4 | 3.58 | 42.1 | 38.8 | 3.94 | 38.6  | 37.0 | 4.34 | 35.0  | 34.9 | 4.77 |
|      | 80     | 67     | 56.2 | 36.6 | 3.00 | 53.3 | 35.2 | 3.28 | 50.1 | 33.8 | 3.61 | 46.8 | 32.3 | 3.99 | 43.1  | 30.7 | 4.40 | 39.0  | 28.9 | 4.84 |
|      | 80     | 72     | 60.4 | 29.6 | 3.01 | 57.2 | 28.3 | 3.30 | 54.0 | 26.8 | 3.63 | 50.6 | 25.3 | 4.00 | 46.9  | 23.8 | 4.41 | 42.8  | 22.3 | 4.86 |
|      | 75     | 62     | 51.1 | 36.8 | 2.98 | 48.1 | 35.4 | 3.26 | 44.9 | 33.6 | 3.58 | 41.7 | 32.0 | 3.94 | 38.2  | 30.2 | 4.34 | 34.4  | 28.3 | 4.77 |
|      | 75     | 67     | 55.8 | 30.0 | 3.00 | 52.7 | 28.6 | 3.29 | 49.6 | 27.2 | 3.61 | 46.3 | 25.7 | 3.98 | 42.7  | 24.0 | 4.40 | 38.5  | 22.2 | 4.84 |
| 1750 | 80     | 62     | 54.1 | 46.9 | 2.50 | 51.0 | 45.3 | 2.78 | 47.8 | 44.1 | 3.10 | 44.5 | 42.4 | 3.46 | 40.9  | 40.5 | 3.86 | 37.7  | 37.7 | 4.31 |
|      | 80     | 67     | 59.0 | 39.9 | 2.53 | 55.8 | 38.4 | 2.81 | 52.7 | 36.9 | 3.14 | 49.2 | 35.5 | 3.52 | 45.4  | 33.9 | 3.93 | 41.2  | 32.1 | 4.37 |
|      | 80     | 72     | 63.0 | 32.2 | 2.54 | 59.7 | 30.8 | 2.83 | 56.4 | 29.4 | 3.16 | 53.1 | 28.0 | 3.53 | 49.3  | 26.5 | 3.94 | 45.0  | 24.7 | 4.38 |
|      | 75     | 62     | 53.7 | 40.0 | 2.51 | 50.6 | 38.4 | 2.79 | 47.4 | 36.8 | 3.10 | 44.0 | 35.1 | 3.46 | 40.4  | 33.5 | 3.86 | 36.5  | 31.6 | 4.30 |
|      | 75     | 67     | 58.5 | 32.7 | 2.53 | 55.3 | 31.3 | 2.82 | 52.1 | 29.8 | 3.14 | 48.7 | 28.2 | 3.51 | 45.0  | 26.6 | 3.93 | 40.7  | 24.9 | 4.37 |

# COOLING EXPANDED RATINGS (CONTINUED)

RP94RD-060K

| CFM  | O.D.T. | I.W.B. | 65°F |      |      | 75°F |      |      | 85°F |      |      | 95°F |      |      | 105°F |      |      | 115°F |      |      |
|------|--------|--------|------|------|------|------|------|------|------|------|------|------|------|------|-------|------|------|-------|------|------|
|      | E.D.B. | E.W.B. | T.C. | S.C. | K.W. | T.C. | S.C. | K.W. | T.C. | S.C. | K.W. | T.C. | S.C. | K.W. | T.C.  | S.C. | K.W. | T.C.  | S.C. | K.W. |
| 1500 | 80     | 62     | 65.2 | 52.1 | 3.55 | 61.5 | 50.3 | 3.94 | 57.3 | 48.4 | 4.36 | 52.9 | 46.0 | 4.82 | 48.2  | 43.9 | 5.35 | 43.3  | 41.4 | 5.95 |
|      | 80     | 67     | 70.6 | 44.9 | 3.59 | 66.4 | 42.8 | 3.96 | 62.3 | 40.8 | 4.39 | 57.6 | 38.6 | 4.86 | 52.6  | 36.5 | 5.41 | 47.4  | 34.3 | 6.01 |
|      | 80     | 72     | 76.3 | 37.4 | 3.61 | 71.9 | 35.5 | 4.00 | 67.3 | 33.4 | 4.41 | 62.0 | 31.2 | 4.88 | 57.0  | 29.0 | 5.43 | 51.4  | 26.8 | 6.04 |
|      | 75     | 62     | 64.2 | 44.7 | 3.55 | 60.5 | 42.8 | 3.94 | 56.3 | 40.8 | 4.36 | 51.9 | 38.7 | 4.82 | 47.3  | 36.4 | 5.35 | 42.4  | 34.0 | 5.95 |
|      | 75     | 67     | 69.9 | 37.8 | 3.59 | 65.2 | 35.4 | 3.96 | 61.3 | 33.5 | 4.39 | 56.7 | 31.4 | 4.86 | 51.6  | 29.0 | 5.41 | 46.4  | 26.8 | 6.01 |
| 1700 | 80     | 62     | 66.4 | 54.6 | 3.75 | 62.6 | 52.8 | 4.13 | 58.1 | 51.0 | 4.56 | 53.5 | 48.8 | 5.02 | 48.6  | 46.3 | 5.54 | 43.7  | 43.0 | 6.15 |
|      | 80     | 67     | 72.0 | 46.7 | 3.78 | 67.5 | 44.4 | 4.16 | 63.3 | 42.5 | 4.58 | 58.4 | 40.1 | 5.06 | 53.1  | 38.3 | 5.60 | 47.7  | 35.9 | 6.20 |
|      | 80     | 72     | 77.0 | 38.2 | 3.81 | 72.5 | 36.2 | 4.19 | 67.8 | 34.2 | 4.61 | 63.0 | 32.0 | 5.08 | 57.6  | 29.9 | 5.63 | 51.7  | 27.4 | 6.24 |
|      | 75     | 62     | 65.4 | 46.5 | 3.74 | 61.5 | 44.5 | 4.13 | 57.2 | 42.6 | 4.56 | 52.6 | 40.3 | 5.02 | 47.6  | 38.0 | 5.54 | 42.7  | 35.6 | 6.15 |
|      | 75     | 67     | 70.8 | 38.6 | 3.78 | 66.5 | 36.4 | 4.16 | 61.9 | 34.2 | 4.58 | 57.4 | 32.1 | 5.06 | 52.2  | 29.9 | 5.61 | 46.7  | 27.6 | 6.20 |
| 1900 | 80     | 62     | 67.2 | 56.7 | 4.00 | 63.1 | 54.9 | 4.38 | 58.5 | 52.2 | 4.81 | 53.7 | 50.9 | 5.27 | 48.7  | 47.9 | 5.80 | 44.3  | 44.3 | 6.41 |
|      | 80     | 67     | 72.6 | 48.0 | 4.04 | 68.2 | 45.8 | 4.42 | 63.7 | 43.8 | 4.84 | 58.7 | 41.8 | 5.32 | 53.3  | 39.5 | 5.86 | 47.7  | 37.2 | 6.45 |
|      | 80     | 72     | 77.9 | 39.0 | 4.06 | 73.3 | 36.9 | 4.45 | 68.2 | 34.6 | 4.86 | 63.2 | 32.5 | 5.34 | 57.7  | 30.3 | 5.89 | 51.7  | 28.0 | 6.49 |
|      | 75     | 62     | 66.0 | 47.8 | 3.99 | 62.0 | 45.9 | 4.38 | 57.5 | 44.0 | 4.81 | 52.7 | 41.8 | 5.27 | 47.6  | 39.5 | 5.80 | 42.5  | 35.8 | 6.40 |
|      | 75     | 67     | 71.3 | 39.1 | 4.03 | 66.9 | 37.0 | 4.42 | 62.6 | 34.9 | 4.83 | 57.6 | 32.7 | 5.31 | 52.1  | 30.5 | 5.86 | 46.7  | 28.0 | 6.45 |



### GENERAL TERMS OF LIMITED WARRANTY

For complete details of the Limited Warranty, including applicable terms and conditions, see your local installer or contact the warranty department for a copy.

Before purchasing this appliance, read important energy cost and efficiency information available from your retailer. Specifications and illustrations subject to change without notice and without incurring obligations. Printed in U.S.A (06/2022)