

RQ94RD Series

Single Packaged Heat Pump, Single Phase

13.4 SEER2, 6.7 HSPF2

2 thru 5 Ton Units

Cooling: 23,000 to 56,000 Btuh

Heating: 22,800 to 58,500 Btuh

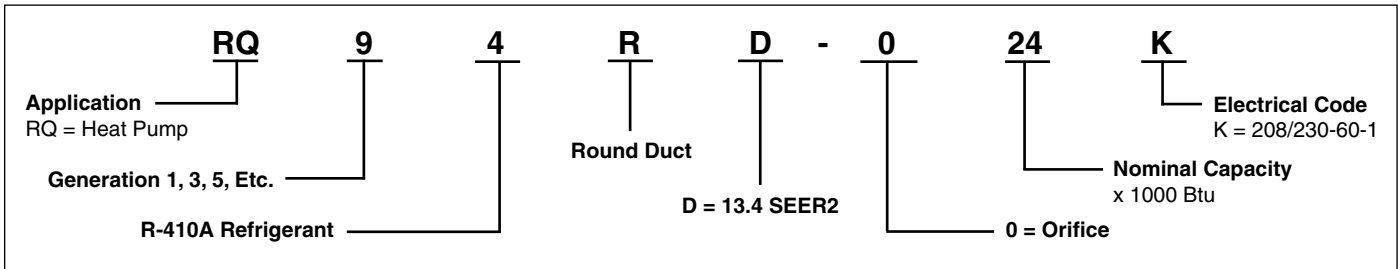
The RQ9 Series single packaged heat pumps are high efficiency self contained cooling and heating units that can be installed on a slab or on a roof. Units are ETL and ETLc listed.



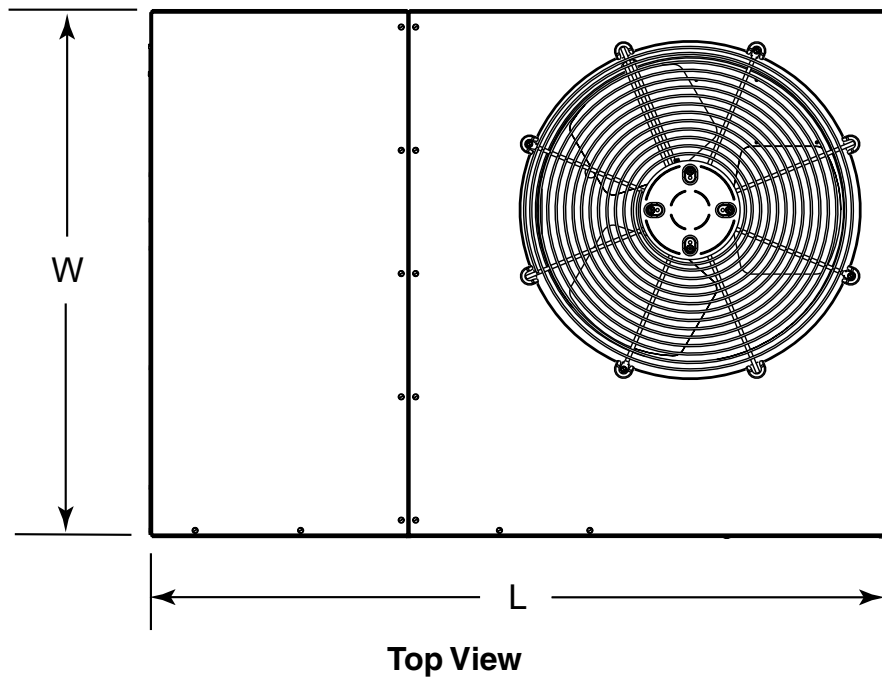
FEATURES and BENEFITS

- **Energy-efficient R-410A Refrigerant**
- **First in Industry Patented Hot Gas Defrost:** Ensures complete, worry-free defrost.
- **Quality Compressor:** State of the art compressor is standard equipment.
- **Hi/Low Pressure Switches:** Ensure long compressor life.
- **All Aluminum Coils:** Provides high corrosion resistance, lower refrigerant volume.
- **Designed Using Galvanized Steel:** With a polyester urethane coat finish. The finish passes 950 hours of salt spray per ASTM Std. B117.
- **Compact Footprint and Profile:** Make the RQ9 Series easy to transport and install.
- **0" Clearance:** To combustibles on duct side of the unit allows for installations in tight areas.
- **Wire Guard Powder Coated and Plastic Mesh Hail Guard:** A guard that will never rust and protects the unit's coil from being damaged.
- **Raised Base Pan:** Allows water to drain away from away from the unit.
- **Easy Compressor and Control Access:** Designed to make servicing easier for the contractor, access panels are provided to all controls and the compressor from the side of the unit.
- **Easy Access:** To the evaporator coil and blower assembly for cleaning and general maintenance.
- **Removable Top Grille Assembly:** Allows ease of service to the fan motor.
- **Five Minute Restart Time Delay:** When the units shuts down, a five minute delay keeps the unit from restarting, eliminating the highest cause of compressor failure.
- **Liquid Line Filter Drier:** Factory installed at a convenient location for service.
- **Accessible Service Valves:** Simplify servicing of the refrigeration system.
- **Suction Accumulator:** Provides protection from liquid flood back and future compressor failures.
- **Permanently Lubricated Condenser Motor:** A heavy duty PSC motor for long lasting reliability and quiet operation.
- **Low Voltage Transformer:** Includes 3 Amp fuse to protect low voltage circuit.
- **Drain Trap Included:** Design optimizes drainage capabilities.
- **Optional Electric Heat:** Field installed 5 – 20 KW.

MODEL IDENTIFICATION CODE



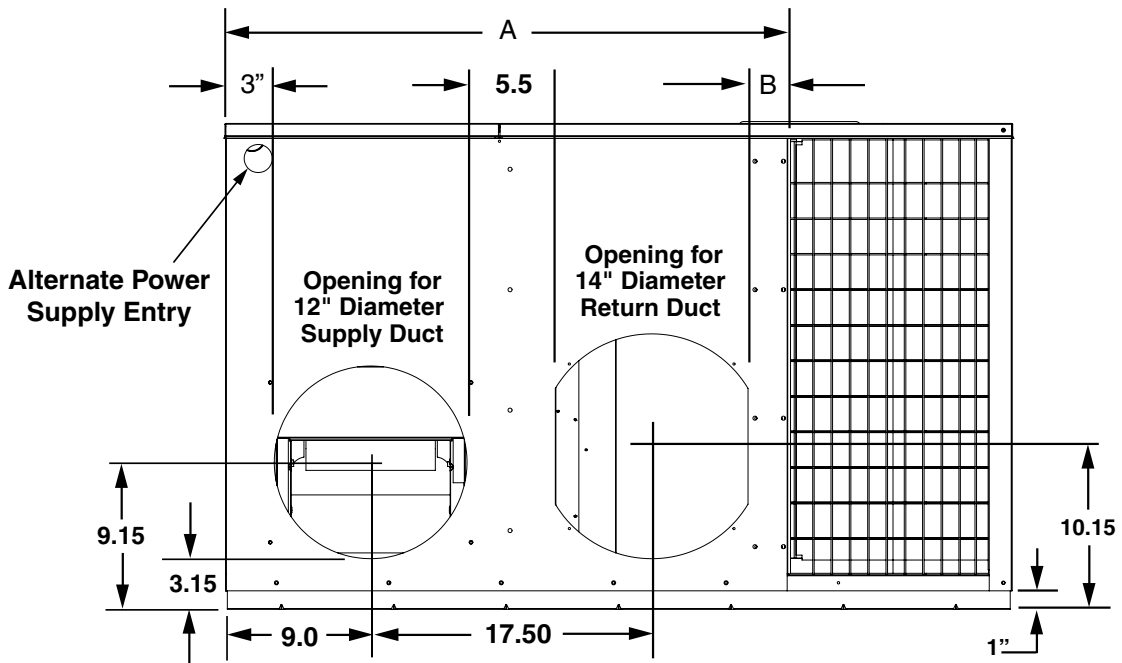
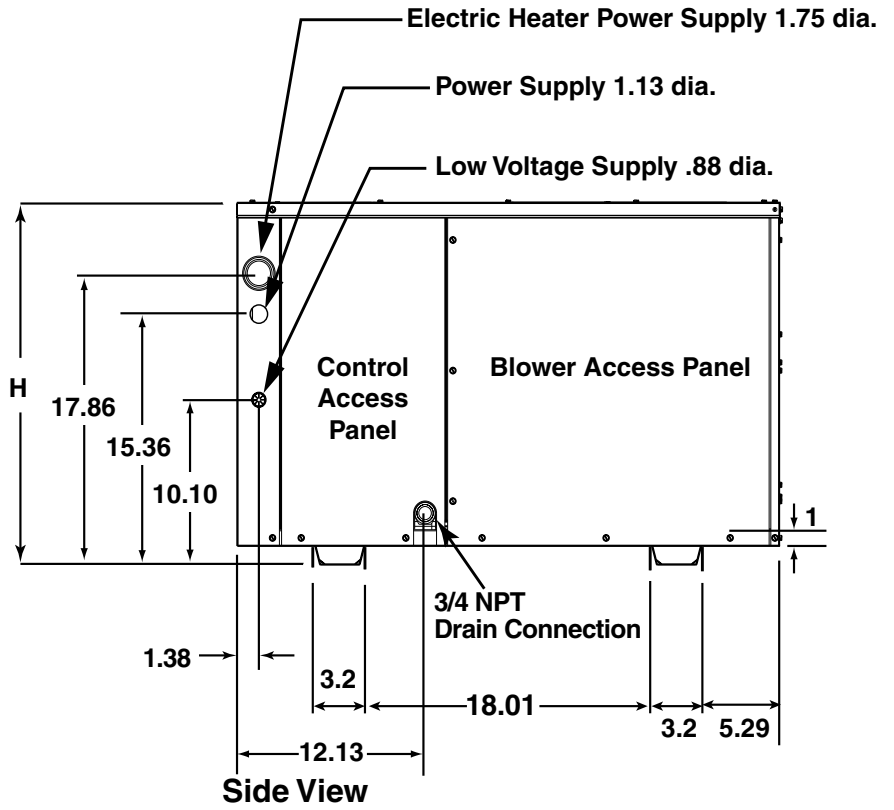
DIMENSIONS (all in lbs. and inches)



Model No. RQ94RD	Shipping Weight	(L) Length	(W) Width	(H) Height
024K	286	49	35	30.2
030K	288	49	35	30.2
036K	300	49	35	30.2
042K	348	63	35	38.2
048K	353	63	35	38.2
060K	353	63	35	38.2

DIMENSIONS Continued (all in inches)

Model Number RQ94RD-	Return Diameter	Supply Diameter
024K	14	12
030K	14	12
036K	14	12
042K	14	12
048K	14	12
060K	14	12



Back (Duct) View (2-5 Ton)

PHYSICAL SPECIFICATIONS

RQ94RD Models

Model No. RQ94RD		024K	030K	036K	042K	048K	060K
Performance Data	Cooling Btu/h	23,000	28,600	34,200	40,000	45,500	56,000
	SEER2	13.4	13.4	13.4	13.4	13.4	13.4
	EER2-A	10.6	10.6	10.6	10.6	10.6	10.6
	Heating Btu/h	22,800	28,600	34,200	40,000	46,000	58,500
	HSPF2	6.7	6.7	6.7	6.7	6.7	6.7
	Sound Ratings Cooling	76.8	77.6	76.3	76.5	76.3	72.5
	Sound Ratings Heating	76.5	78.4	77.1	77.2	77.2	72.7
Electrical Data	Volts-Cycles-Phase (1)	60 Hz					
	Operating Voltage Range	187 - 253					
	Total Amps	14.9	17.2	22.5	26.9	28.7	40.8
	Delay Fuse - Max. (2)	25	30	40	45	50	70
	Min. Circuit Ampacity	16.2	18.7	24.6	29.3	31.4	44.5
Compressor Data	RLA	9.2	11.3	16.0	17.9	19.6	26.9
	LRA	43.0	57.0	91.9	112.0	130.0	171.0
Fan Motor	HP	1/8	1/8	1/8	1/4	1/4	1/2
	Amps	0.8	0.8	0.8	1.5	1.5	3.8
Blower Motor	HP	1/2	1/2	1/2	3/4	3/4	1
	Amps	3.8	3.8	3.8	5.4	5.4	7.0
R410A Refrigerant Charge	Oz.	75.8	73.8	70.6	97.4	99.5	106.1
Approximate Weight (lbs.)	Shipping	286	288	300	348	353	353

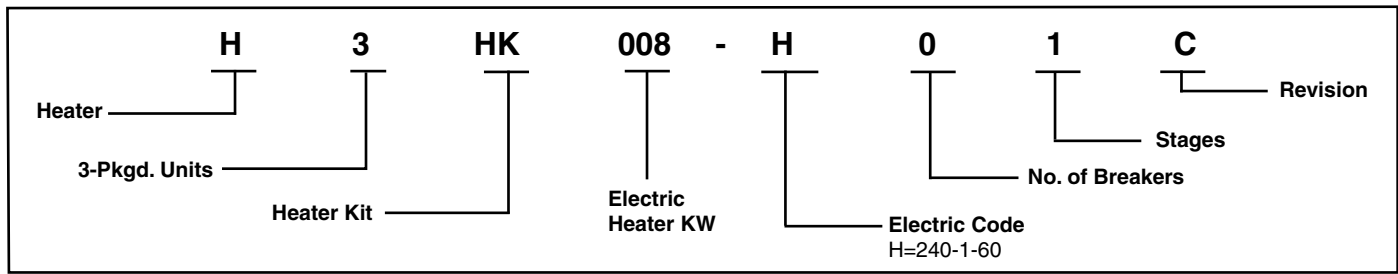
(1) Operating Voltage Range: 187v min. - 253v max. Amperage and wire size based on refrigeration system only. See electrical data tables for supplemental electric heaters.

(2) HACR Type Circuit Breakers may be used.

ELECTRICAL DATA

Model	Heater kW	Single		Multiple Supply Options					
		MCA	MOP	Circuit A (Compressor, Blower & Fan)		Circuit B (Heater)		Circuit C (Heater)	
				MCA	MOP	MCA	MOP	MCA	MOP
RQ94RD-024K	0	16.2	25	-	-	-	-	-	-
	5	41.2	45	-	-	-	-	-	-
	8	55.7	60	-	-	-	-	-	-
	10	66.2	70	16.2	25	50.0	50	-	-
	15	91.2	100	41.2	45	50.0	50	-	-
RQ94RD-030K	0	18.7	30	-	-	-	-	-	-
	5	43.7	50	-	-	-	-	-	-
	8	58.3	60	18.7	30	39.6	40	-	-
	10	68.7	70	18.7	30	50.0	50	-	-
	15	93.7	100	43.7	50	50.0	50	-	-
RQ94RD-036K	0	24.6	40	-	-	-	-	-	-
	5	49.6	60	-	-	-	-	-	-
	8	64.2	70	24.6	40	39.6	40	-	-
	10	74.7	80	24.6	40	50.0	50	-	-
	15	99.7	100	24.6	40	25.0	25	50.0	50
RQ94RD-042K	0	29.3	45	-	-	-	-	-	-
	5	54.3	60	-	-	-	-	-	-
	8	68.9	70	29.3	45	39.6	40	-	-
	10	79.3	80	29.3	45	50.0	50	-	-
	15	104.3	100	29.3	45	25.0	25	50.0	50
	20	129.3	150	29.3	45	50.0	50	50.0	50
RQ94RD-048K	0	31.4	50	-	-	-	-	-	-
	5	56.4	70	31.4	50	25.0	25	-	-
	8	70.9	80	31.4	50	39.6	40	-	-
	10	81.4	90	31.4	50	50.0	50	-	-
	15	106.4	110	31.4	50	25.0	25	50.0	50
	20	131.4	150	31.4	50	50.0	50	50.0	50
RQ94RD-060K	0	44.5	70	-	-	-	-	-	-
	5	69.5	90	44.5	70	25.0	25	-	-
	8	84.0	100	44.5	70	39.6	40	-	-
	10	94.5	110	44.5	70	50.0	50	-	-
	15	119.5	125	44.5	70	25.0	25	50.0	50
	20	144.5	150	44.5	70	50.0	50	50.0	50

HEATER KIT MODEL IDENTIFICATION CODE



RQ94RD Heater Kit Application Matrix				
Tonnage	Nominal kW	Heater Kit Model	Heater Kit Part Number	Breakers (required)
024K	5	H3HK005H-01C	917166C	None
	8	H3HK008H-01C	917167C	2
	10	H3HK010H-01C	917168C	2
030K	5	H3HK005H-01C	917166C	None
	8	H3HK008H-01C	917167C	2
	10	H3HK010H-01C	917168C	2
	15	H3HK015H-01C	917169C	2
	15	H3HK015H-21C	917172C	None
036K	5	H3HK005H-01C	917166C	None
	8	H3HK008H-01C	917167C	2
	10	H3HK010H-01C	917168C	2
	15	H3HK015H-01C	917169C	2
	15	H3HK015H-21C	917172C	None
042K	5	H3HK005H-01C	917166C	None
	8	H3HK008H-01C	917167C	2
	10	H3HK010H-01C	917168C	2
	15	H3HK015H-01C	917169C	2
	15	H3HK015H-21C	917172C	None
	20	H3HK020H-01C	917170C	3
	20	H3HK020H-21C	917173C	1
048KA	5	H3HK005H-01C	917166C	2
	8	H3HK008H-01C	917167C	2
	10	H3HK010H-01C	917168C	2
	15	H3HK015H-01C	917169C	2
	15	H3HK015H-21C	917172C	None
	20	H3HK020H-01C	917170C	3
	20	H3HK020H-21C	917173C	1
060K	5	H3HK005H-01C	917166C	2
	8	H3HK008H-01C	917167C	2
	10	H3HK010H-01C	917168C	2
	15	H3HK015H-01C	917169C	2
	15	H3HK015H-21C	917172C	None
	20	H3HK020H-01C	917170C	3
	20	H3HK020H-21C	917173C	1

ACCESSORIES

Description	Part Number
4-Pole single circuit adaptor	913350
Circuit Breaker Single Phase (2-pole)	913554
Duct collars - 12"	250101R
Duct collars - 14"	250102R
High Wind Kit	1013934

AIR FLOW DATA

HEAT RISE DATA (Based on Nominal 10kw Electric Heat Kit)																	
RQ94RD Unit	Blower Setting	External Static Pressure Drop - inches water column															
		0.1		0.2		0.3		0.4		0.5		0.6		0.7		0.8	
		CFM	HEAT RISE	CFM	HEAT RISE	CFM	HEAT RISE	CFM	HEAT RISE	CFM	HEAT RISE	CFM	HEAT RISE	CFM	HEAT RISE	CFM	HEAT RISE
024K	Tap T1	1,009	31	951	33	910	35	856	37	797	40	725	44	660	48	605	52
	Tap T2**	1,146	28	1,102	29	1,049	30	1,004	31	955	33	898	35	829	38	761	42
	Tap T3*	1,198	26	1,154	27	1,107	29	1,059	30	1,010	31	959	33	895	35	827	38
	Tap T4	1,290	24	1,242	25	1,197	26	1,150	27	1,102	29	1,049	30	1,003	31	939	34
	Tap T5	1,425	22	1,383	23	1,334	24	1,287	25	1,246	25	1,194	26	1,149	27	1,092	29
030K	Tap T1	1,009	31	951	33	910	35	856	37	797	40	725	44	660	48	605	52
	Tap T2**	1,146	28	1,102	29	1,049	30	1,004	31	955	33	898	35	829	38	761	42
	Tap T3	1,290	24	1,242	25	1,197	26	1,150	27	1,102	29	1,049	30	1,003	31	939	34
	Tap T4*	1,397	23	1,353	23	1,306	24	1,262	25	1,213	26	1,168	27	1,120	28	1,060	30
	Tap T5	1,546	20	1,505	21	1,467	22	1,417	22	1,366	23	1,320	24	1,272	25	1,223	26
036K	Tap T1	1,146	28	1,107	29	1,056	30	1,004	31	960	33	910	35	842	38	782	40
	Tap T2**	1,269	25	1,232	26	1,197	26	1,146	28	1,098	29	1,056	30	993	32	932	34
	Tap T3	1,400	23	1,363	23	1,316	24	1,276	25	1,229	26	1,191	27	1,142	28	1,087	29
	Tap T4*	1,485	21	1,445	22	1,404	23	1,366	23	1,325	24	1,282	25	1,236	26	1,184	27
	Tap T5	1,612	20	1,571	20	1,530	21	1,492	21	1,453	22	1,409	22	1,364	23	1,322	24
042K	Tap T1	1,512	21	1,459	22	1,443	22	1,400	23	1,367	23	1,335	24	1,298	24	1,271	25
	Tap T2**	1,627	19	1,596	20	1,558	20	1,534	21	1,503	21	1,467	22	1,433	22	1,400	23
	Tap T3	1,734	18	1,700	19	1,670	19	1,642	19	1,606	20	1,575	20	1,543	20	1,509	21
	Tap T4*	1,840	17	1,813	17	1,780	18	1,750	18	1,716	18	1,685	19	1,650	19	1,613	20
	Tap T5	1,942	16	1,920	16	1,884	17	1,853	17	1,821	17	1,787	18	1,752	18	1,713	18
048KA	Tap T1	1,474	21	1,417	22	1,379	23	1,344	24	1,304	24	1,266	25	1,230	26	1,184	27
	Tap T2**	1,590	20	1,559	20	1,519	21	1,467	22	1,439	22	1,396	23	1,360	23	1,320	24
	Tap T3*	1,749	18	1,711	18	1,665	19	1,633	19	1,589	20	1,551	20	1,514	21	1,476	21
	Tap T4	1,913	17	1,873	17	1,835	17	1,802	18	1,760	18	1,718	18	1,688	19	1,643	19
	Tap T5	2,097	15	2,052	15	2,016	16	1,980	16	1,939	16	1,894	17	1,856	17	1,814	17
060K	Tap T1	1,455	22	1,412	22	1,362	23	1,323	24	1,277	25	1,238	26	1,188	27	1,160	27
	Tap T2**	1,668	19	1,627	19	1,599	20	1,558	20	1,521	21	1,478	21	1,444	22	1,405	22
	Tap T3	1,854	17	1,809	17	1,783	18	1,745	18	1,707	19	1,667	19	1,629	19	1,593	20
	Tap T4*	2,008	16	1,976	16	1,939	16	1,904	17	1,875	17	1,833	17	1,801	18	1,760	18
	Tap T5	2,174	15	2,133	15	2,101	15	2,066	15	2,038	16	2,002	16	1,969	16	1,932	16

Temperature rises shaded gray are for reference only. These conditions are not recommended.

* Denotes factory set cooling & heating

** Denotes factory set electric HEAT speed (10KW)

Heat rise

$$\text{Btu/h} = \text{CFM} \times \Delta T \times 1.08$$

$$\Delta T = (\text{Btu/h}) / (\text{CFM} \times 1.08)$$

Conversion	
KW/h to Btu/h	3412.1
KW/h	Btu/h
5	17061
8	27297
10	34121
15	51182
20	68243

HEAT PUMP COOLING EXPANDED RATINGS

T.C. Total Cooling Capacity
 S.C. Sensible Cooling Capacity
 K.W. Total Kilowatts

RQ94RD-024K

CFM	O.D.T. I.W.B.		65°F			75°F			85°F			95°F			105°F			115°F		
	E.D.B.	E.W.B.	T.C.	S.C.	K.W.	T.C.	S.C.	K.W.	T.C.	S.C.	K.W.	T.C.	S.C.	K.W.	T.C.	S.C.	K.W.	T.C.	S.C.	K.W.
850	80.00	62.00	26.8	23.7	1.43	25.2	23.0	1.57	23.3	22.2	1.73	21.1	20.9	1.92	19.0	19.0	2.12	16.9	17.0	2.32
	80.00	67.00	28.3	18.8	1.42	27.6	19.1	1.57	25.8	18.4	1.74	23.4	17.4	1.93	20.7	16.3	2.13	17.7	15.3	2.33
	80.00	72.00	29.1	14.7	1.48	27.5	13.8	1.68	27.2	14.0	1.85	25.6	13.5	2.05	23.3	12.6	2.23	20.5	11.6	2.40
	75.00	62.00	26.3	19.9	1.43	24.8	19.2	1.57	22.9	18.3	1.74	20.5	17.4	1.92	18.0	16.2	2.11	15.6	15.0	2.31
	75.00	67.00	27.4	15.2	1.43	27.1	15.3	1.57	25.3	14.6	1.74	23.0	13.5	1.94	20.3	12.4	2.13	17.3	11.2	2.33
950	80.00	62.00	27.3	24.9	1.43	25.7	24.3	1.57	23.7	23.3	1.74	21.7	21.7	1.93	19.6	19.6	2.13	17.4	17.4	2.33
	80.00	67.00	28.6	19.4	1.43	28.0	20.0	1.57	26.2	19.3	1.75	23.8	18.3	1.94	21.0	17.4	2.14	17.9	16.1	2.34
	80.00	72.00	29.3	14.9	1.48	27.6	14.0	1.68	27.5	14.3	1.86	25.9	14.0	2.06	23.6	13.2	2.24	20.8	12.1	2.40
	75.00	62.00	26.8	20.8	1.43	25.2	20.1	1.57	23.2	19.3	1.74	20.9	18.1	1.93	18.3	17.2	2.12	15.9	15.6	2.32
	75.00	67.00	27.6	15.5	1.44	27.4	15.8	1.57	25.7	15.2	1.75	23.3	14.1	1.94	20.5	13.0	2.14	17.4	11.7	2.34
1050	80.00	62.00	27.6	26.1	1.43	26.1	25.4	1.58	24.2	24.2	1.75	22.2	22.2	1.93	20.0	20.0	2.14	17.8	17.8	2.35
	80.00	67.00	28.9	19.8	1.43	28.4	20.7	1.58	26.5	20.2	1.76	24.0	19.3	1.95	21.2	18.2	2.15	18.1	17.0	2.35
	80.00	72.00	29.4	15.0	1.49	27.7	14.1	1.69	27.7	14.6	1.87	26.1	14.5	2.07	23.8	13.7	2.25	21.0	12.6	2.42
	75.00	62.00	27.2	21.7	1.43	25.6	21.0	1.58	23.5	20.2	1.75	21.0	19.3	1.94	18.5	18.0	2.13	16.2	16.2	2.34
	75.00	67.00	27.8	15.7	1.44	27.7	16.2	1.58	26.0	15.6	1.76	23.6	14.6	1.95	20.7	13.6	2.15	17.6	12.3	2.35

RQ94RD-030K

CFM	O.D.T. I.W.B.		65°F			75°F			85°F			95°F			105°F			115°F		
	E.D.B.	E.W.B.	T.C.	S.C.	K.W.	T.C.	S.C.	K.W.	T.C.	S.C.	K.W.	T.C.	S.C.	K.W.	T.C.	S.C.	K.W.	T.C.	S.C.	K.W.
1050	80.00	62.00	32.5	28.8	1.87	30.5	27.9	2.08	28.2	27.1	2.29	25.7	25.3	2.52	23.5	23.6	2.76	21.3	21.3	3.04
	80.00	67.00	34.6	23.0	1.87	33.6	23.3	2.08	31.4	22.5	2.30	28.7	21.4	2.54	25.6	20.4	2.78	22.4	19.0	3.05
	80.00	72.00	36.1	18.1	1.91	33.9	17.0	2.16	34.1	17.6	2.38	32.3	17.0	2.63	29.4	15.9	2.88	26.1	14.7	3.14
	75.00	62.00	32.2	24.3	1.87	30.1	23.3	2.08	27.7	22.5	2.29	25.2	21.3	2.52	22.6	20.1	2.76	20.0	18.9	3.02
	75.00	67.00	33.9	18.8	1.88	33.2	18.8	2.08	31.0	17.9	2.31	28.3	16.7	2.54	25.3	15.5	2.78	22.0	14.1	3.05
1150	80.00	62.00	33.2	30.2	1.85	31.1	29.4	2.06	28.7	28.2	2.27	26.4	26.5	2.50	24.2	24.2	2.74	21.9	21.9	3.02
	80.00	67.00	35.0	23.6	1.85	34.2	24.3	2.06	31.9	23.5	2.28	29.2	22.4	2.52	26.0	21.5	2.76	22.7	19.7	3.03
	80.00	72.00	36.4	18.5	1.88	34.1	17.3	2.14	34.6	18.2	2.36	32.8	17.7	2.61	29.8	16.6	2.86	26.4	15.3	3.12
	75.00	62.00	32.7	25.3	1.85	30.7	24.4	2.06	28.3	23.6	2.27	25.6	22.3	2.50	23.0	20.8	2.74	20.3	19.7	3.01
	75.00	67.00	34.3	19.2	1.85	33.7	19.5	2.06	31.5	18.6	2.28	28.8	17.4	2.52	25.6	16.2	2.77	22.3	14.7	3.03
1250	80.00	62.00	33.7	31.5	1.82	31.6	30.7	2.03	29.3	29.2	2.25	27.1	27.1	2.47	24.8	24.8	2.72	22.4	22.4	3.00
	80.00	67.00	35.4	24.2	1.82	34.7	25.3	2.03	32.4	24.5	2.26	29.6	23.6	2.49	26.4	22.5	2.74	23.0	21.0	3.01
	80.00	72.00	36.7	18.8	1.86	34.3	17.6	2.11	34.9	18.6	2.33	33.2	18.4	2.58	30.2	17.2	2.83	26.8	16.0	3.10
	75.00	62.00	33.3	26.4	1.82	31.2	25.4	2.03	28.7	24.6	2.25	26.0	23.4	2.47	23.3	22.2	2.72	20.6	20.3	2.99
	75.00	67.00	34.6	19.6	1.83	34.3	20.2	2.03	32.0	19.2	2.26	29.2	18.1	2.49	26.0	16.9	2.74	22.6	15.3	3.01

RQ94RD-036K

CFM	O.D.T. I.W.B.		65°F			75°F			85°F			95°F			105°F			115°F		
	E.D.B.	E.W.B.	T.C.	S.C.	K.W.	T.C.	S.C.	K.W.	T.C.	S.C.	K.W.	T.C.	S.C.	K.W.	T.C.	S.C.	K.W.	T.C.	S.C.	K.W.
1150	80.00	62.00	39.2	33.9	2.19	36.8	33.6	2.41	34.5	32.5	2.65	32.0	31.2	2.92	29.7	29.7	3.23	27.4	27.4	3.58
	80.00	67.00	42.6	28.7	2.22	40.3	27.6	2.43	38.0	26.7	2.68	35.3	25.8	2.96	32.4	24.6	3.27	29.4	23.4	3.62
	80.00	72.00	46.1	23.2	2.25	44.0	22.3	2.47	41.4	21.2	2.72	38.9	20.3	3.00	36.0	19.1	3.32	33.0	17.9	3.68
	75.00	62.00	38.7	29.2	2.20	36.4	28.0	2.41	34.2	26.9	2.65	31.7	25.8	2.92	29.1	24.7	3.22	26.3	23.4	3.57
	75.00	67.00	42.2	23.4	2.22	40.0	22.4	2.44	37.6	21.3	2.68	35.0	20.1	2.95	32.2	19.1	3.27	29.1	17.8	3.62
1250	80.00	62.00	39.6	35.6	2.26	37.2	33.8	2.47	34.7	33.7	2.71	32.4	31.9	2.98	30.2	30.0	3.30	27.8	27.8	3.65
	80.00	67.00	43.1	29.6	2.28	40.7	28.5	2.50	38.3	27.4	2.74	35.5	26.7	3.02	32.6	25.5	3.34	29.5	24.3	3.68
	80.00	72.00	46.6	23.7	2.32	44.4	22.8	2.54	41.8	21.8	2.78	39.2	20.7	3.06	36.3	19.5	3.38	33.2	18.4	3.74
	75.00	62.00	39.1	30.1	2.26	36.8	28.9	2.47	34.4	27.8	2.71	31.9	26.8	2.98	29.3	25.5	3.29	26.4	23.2	3.63
	75.00	67.00	42.7	23.9	2.29	40.3	22.8	2.50	37.9	21.8	2.74	35.2	20.6	3.02	32.4	19.5	3.33	29.2	18.3	3.68
1350	80.00	62.00	39.9	36.8	2.33	37.4	36.0	2.55	35.0	34.6	2.79	32.9	32.7	3.06	30.6	30.5	3.37	28.1	28.1	3.73
	80.00	67.00	43.4	30.4	2.36	41.0	29.3	2.57	38.5	28.1	2.81	35.6	27.5	3.10	32.6	26.4	3.41	29.5	25.2	3.76
	80.00	72.00	47.1	24.2	2.39	44.7	23.3	2.61	42.1	22.1	2.86	39.3	21.0	3.14	36.3	19.9	3.45	33.2	18.8	3.81
	75.00	62.00	39.4	30.9	2.34	37.0	29.8	2.55	34.6	28.8	2.79	32.0	27.6	3.05	29.3	26.3	3.36	26.4	24.9	3.71
	75.00	67.00	43.0	24.3	2.36	40.6	23.3	2.57	38.1	22.2	2.81	35.4	20.9	3.09	32.5	19.9	3.41	29.2	18.8	3.76

HEAT PUMP COOLING EXPANDED RATINGS (CONTINUED)

RQ94RD-042KA

CFM	O.D.T.	I.W.B.	65°F			75°F			85°F			95°F			105°F			115°F		
	E.D.B.	E.W.B.	T.C.	S.C.	K.W.	T.C.	S.C.	K.W.	T.C.	S.C.	K.W.	T.C.	S.C.	K.W.	T.C.	S.C.	K.W.	T.C.	S.C.	K.W.
1450	80.00	62.00	44.6	38.6	2.77	41.8	37.4	3.02	38.8	36.0	3.30	35.6	34.4	3.62	32.5	32.5	4.00	29.7	29.7	4.46
	80.00	67.00	48.8	32.3	2.82	45.8	31.1	3.07	42.8	29.7	3.37	39.5	28.2	3.71	36.0	26.7	4.10	32.4	25.3	4.56
	80.00	72.00	49.5	24.2	2.82	48.1	23.7	3.10	46.4	23.2	3.42	43.4	22.0	3.78	39.9	20.7	4.20	36.2	19.1	4.68
	75.00	62.00	44.1	32.4	2.77	41.3	31.1	3.02	38.3	29.6	3.30	35.1	28.1	3.62	31.8	26.4	4.00	28.4	24.9	4.43
	75.00	67.00	47.9	26.0	2.82	45.3	24.8	3.07	42.2	23.4	3.37	38.9	21.9	3.71	35.5	20.5	4.10	31.9	19.0	4.56
1600	80.00	62.00	45.8	41.1	2.66	42.9	39.7	2.91	39.8	38.2	3.19	36.6	36.4	3.52	33.9	33.9	3.91	30.9	30.9	4.37
	80.00	67.00	49.8	34.1	2.71	47.0	32.8	2.97	43.9	31.5	3.26	40.5	29.9	3.60	36.9	28.6	4.00	33.3	27.0	4.46
	80.00	72.00	50.2	25.0	2.71	49.1	24.8	2.99	47.3	24.3	3.32	44.3	23.3	3.68	40.8	21.8	4.10	37.1	20.3	4.58
	75.00	62.00	45.3	34.2	2.66	42.3	32.9	2.91	39.3	31.4	3.19	36.0	29.9	3.52	32.7	28.2	3.89	29.1	26.7	4.33
	75.00	67.00	49.2	27.4	2.71	46.4	26.1	2.97	43.3	24.7	3.26	39.9	23.2	3.60	36.4	21.6	4.00	32.7	20.1	4.45
1750	80.00	62.00	47.0	43.3	2.53	44.0	42.1	2.78	40.8	40.1	3.06	38.0	38.0	3.40	35.1	35.1	3.79	32.1	32.1	4.25
	80.00	67.00	51.0	35.8	2.58	48.1	34.6	2.84	44.9	33.3	3.14	41.4	31.7	3.48	37.8	30.3	3.87	34.1	28.7	4.33
	80.00	72.00	51.0	25.8	2.57	50.0	25.8	2.86	48.4	25.5	3.19	45.3	24.5	3.56	41.7	23.0	3.97	37.9	21.6	4.45
	75.00	62.00	46.4	36.0	2.53	43.4	34.8	2.78	40.3	33.2	3.06	37.0	31.7	3.39	33.5	30.1	3.76	29.9	28.3	4.20
	75.00	67.00	50.4	28.8	2.58	47.5	27.4	2.84	44.3	26.0	3.13	40.9	24.5	3.48	37.3	23.0	3.87	33.6	21.4	4.33

RQ94RD-048KA

CFM	O.D.T.	I.W.B.	65°F			75°F			85°F			95°F			105°F			115°F		
	E.D.B.	E.W.B.	T.C.	S.C.	K.W.	T.C.	S.C.	K.W.	T.C.	S.C.	K.W.	T.C.	S.C.	K.W.	T.C.	S.C.	K.W.	T.C.	S.C.	K.W.
1350	80.00	62.00	52.1	42.6	3.04	48.6	41.1	3.33	44.9	39.2	3.65	41.0	37.4	4.01	36.9	35.3	4.42	33.0	33.0	4.88
	80.00	67.00	56.9	36.4	3.06	53.3	34.6	3.36	49.6	32.9	3.68	45.3	31.1	4.07	41.0	29.2	4.49	36.5	27.2	4.95
	80.00	72.00	61.7	29.8	3.09	57.8	28.1	3.37	54.1	26.5	3.70	50.1	24.8	4.07	45.6	22.9	4.52	41.0	21.0	4.98
	75.00	62.00	51.3	36.3	3.05	47.8	34.6	3.33	44.2	32.7	3.65	40.3	30.8	4.01	36.2	28.9	4.42	31.9	26.7	4.88
	75.00	67.00	56.1	29.9	3.06	52.6	28.2	3.36	48.7	26.4	3.68	44.7	24.5	4.06	40.3	22.7	4.48	35.7	20.6	4.95
1500	80.00	62.00	53.2	44.7	3.07	49.5	42.8	3.36	45.6	41.5	3.69	41.7	39.5	4.05	37.6	36.7	4.46	33.9	33.9	4.92
	80.00	67.00	58.0	38.0	3.09	54.3	36.1	3.38	50.4	34.3	3.72	46.1	32.6	4.10	41.6	30.6	4.52	36.9	28.6	4.98
	80.00	72.00	63.2	30.9	3.12	58.9	29.1	3.40	55.3	27.5	3.73	50.9	25.7	4.10	46.5	23.8	4.52	41.6	21.9	5.02
	75.00	62.00	52.3	38.0	3.09	48.7	36.1	3.37	44.9	34.2	3.69	41.0	32.4	4.05	36.7	30.3	4.46	32.3	28.2	4.91
	75.00	67.00	57.2	30.9	3.09	53.5	29.1	3.38	49.8	27.3	3.72	45.5	25.5	4.09	40.9	23.5	4.52	36.2	21.5	4.98
1650	80.00	62.00	54.1	46.7	3.11	50.2	45.2	3.40	46.3	43.5	3.72	42.2	41.2	4.09	38.6	38.6	4.50	34.7	34.7	4.97
	80.00	67.00	59.0	39.3	3.13	55.2	37.5	3.41	51.2	35.7	3.74	46.8	34.0	4.12	42.1	32.1	4.56	37.3	29.5	5.02
	80.00	72.00	63.8	31.6	3.16	60.1	30.1	3.45	55.9	28.3	3.77	51.6	26.4	4.13	47.0	24.6	4.55	42.0	22.6	5.06
	75.00	62.00	53.1	39.5	3.12	49.5	37.5	3.41	45.5	35.8	3.72	41.5	33.8	4.09	37.2	31.1	4.49	32.6	29.6	4.95
	75.00	67.00	58.1	31.7	3.13	54.4	30.0	3.41	50.4	28.2	3.74	46.0	26.2	4.13	41.3	24.3	4.56	36.6	22.4	5.02

RQ94RD-060K

CFM	O.D.T.	I.W.B.	65°F			75°F			85°F			95°F			105°F			115°F		
	E.D.B.	E.W.B.	T.C.	S.C.	K.W.	T.C.	S.C.	K.W.	T.C.	S.C.	K.W.	T.C.	S.C.	K.W.	T.C.	S.C.	K.W.	T.C.	S.C.	K.W.
1500	80.00	62.00	64.3	50.2	3.42	60.2	48.2	3.74	55.8	45.9	4.12	50.9	43.6	4.56	45.9	41.1	5.03	40.7	38.5	5.58
	80.00	67.00	69.4	42.9	3.45	65.6	41.0	3.77	61.3	39.0	4.15	56.6	36.7	4.60	51.2	34.2	5.10	45.4	31.8	5.66
	80.00	72.00	73.3	35.1	3.47	69.1	33.1	3.79	64.5	30.8	4.16	59.9	28.6	4.59	56.2	27.0	5.11	51.2	25.1	5.68
	75.00	62.00	63.3	43.3	3.44	59.2	41.0	3.76	54.7	38.7	4.13	50.0	36.3	4.56	45.0	33.7	5.03	39.8	31.3	5.58
	75.00	67.00	68.8	36.0	3.47	64.6	33.9	3.78	60.2	31.7	4.16	55.6	29.5	4.59	50.5	27.1	5.09	44.9	24.6	5.64
1700	80.00	62.00	66.0	53.0	3.46	61.8	50.8	3.79	57.1	48.6	4.16	52.1	46.3	4.60	46.8	43.8	5.08	41.5	41.0	5.62
	80.00	67.00	71.1	44.8	3.49	67.2	42.9	3.82	62.7	40.8	4.20	57.9	38.6	4.65	52.2	36.1	5.16	46.3	33.5	5.71
	80.00	72.00	74.5	36.1	3.51	70.1	33.9	3.83	65.4	31.6	4.20	60.6	29.3	4.63	57.1	27.9	5.16	52.0	26.0	5.73
	75.00	62.00	65.0	45.4	3.48	60.7	43.1	3.80	56.0	40.7	4.17	51.1	38.3	4.60	45.9	35.8	5.08	40.5	33.1	5.62
	75.00	67.00	70.5	37.3	3.51	66.2	35.2	3.83	61.7	33.0	4.20	56.7	30.6	4.64	51.5	28.3	5.13	45.7	25.6	5.69
1900	80.00	62.00	67.4	55.7	3.52	63.0	53.4	3.84	58.2	51.2	4.22	52.9	48.9	4.65	47.6	46.1	5.13	42.7	42.7	5.68
	80.00	67.00	72.3	46.5	3.54	68.4	44.6	3.87	63.9	42.6	4.26	58.8	40.4	4.70	53.1	37.7	5.21	46.9	35.5	5.76
	80.00	72.00	75.4	36.7	3.56	70.8	34.5	3.88	65.9	32.1	4.25	61.0	29.6	4.68	57.6	28.6	5.21	52.8	26.9	5.78
	75.00	62.00	66.4	47.3	3.54	61.8	45.0	3.85	57.1	42.6	4.23	51.9	40.2	4.66	46.3	37.4	5.13	41.1	34.7	5.67
	75.00	67.00	72.0	38.6	3.56	67.5	36.4	3.88	62.7	34.0	4.26	57.7	31.8	4.69	52.3	29.3	5.19	46.4	26.6	5.74

HEAT PUMP HEATING EXPANDED RATINGS

RQ94RD-024K

		OUTDOOR TEMPERATURE (Deg. F)																										
Indoor T.		5			10			17			20			30			40			47			50			60		
CFM	Deg.F	MBH	COP	K.W.	MBH	COP	K.W.	MBH	COP	K.W.	MBH	COP	K.W.	MBH	COP	K.W.	MBH	COP	K.W.	MBH	COP	K.W.	MBH	COP	K.W.	MBH	COP	K.W.
850	60.00	9.0	1.69	1.57	10.5	1.95	1.57	12.5	2.32	1.59	13.5	2.49	1.60	17.0	3.07	1.62	20.7	3.66	1.66	24.0	4.22	1.67	25.5	4.43	1.69	10.4	1.95	1.57
	70.00	7.8	1.43	1.61	9.2	1.66	1.63	11.3	2.01	1.66	12.3	2.16	1.67	16.0	2.70	1.73	20.1	3.25	1.81	23.3	3.65	1.87	24.8	3.86	1.88	29.7	4.33	2.01
	80.00	6.5	1.14	1.67	7.9	1.37	1.70	10.0	1.68	1.75	10.9	1.82	1.77	14.4	2.29	1.85	18.4	2.78	1.94	21.5	3.11	2.03	22.8	3.23	2.06	27.6	3.74	2.16
950	60.00	9.0	1.69	1.57	10.4	1.94	1.58	12.5	2.30	1.59	13.5	2.48	1.60	16.9	3.05	1.63	20.6	3.65	1.66	24.0	4.20	1.67	25.3	4.39	1.69	10.4	1.94	1.58
	70.00	7.8	1.42	1.61	9.2	1.66	1.63	11.3	2.00	1.66	12.3	2.15	1.67	15.9	2.69	1.73	20.0	3.24	1.81	23.2	3.61	1.88	24.7	3.85	1.88	29.5	4.30	2.01
	80.00	6.5	1.14	1.67	7.9	1.36	1.70	10.0	1.67	1.75	10.9	1.81	1.77	14.4	2.29	1.85	18.4	2.77	1.95	21.5	3.10	2.03	22.7	3.22	2.07	27.4	3.72	2.16
1050	60.00	9.1	1.69	1.58	10.5	1.94	1.58	12.6	2.32	1.60	13.6	2.49	1.60	17.0	3.08	1.62	20.8	3.70	1.64	24.1	4.28	1.65	25.6	4.51	1.67	10.5	1.94	1.58
	70.00	7.9	1.43	1.62	9.3	1.66	1.63	11.4	2.01	1.66	12.3	2.16	1.67	16.0	2.72	1.73	20.2	3.29	1.80	23.5	3.74	1.84	24.8	3.91	1.86	29.8	4.41	1.98
	80.00	6.5	1.14	1.68	8.0	1.37	1.71	10.1	1.69	1.75	11.0	1.83	1.77	14.5	2.31	1.84	18.5	2.81	1.93	21.7	3.16	2.01	23.0	3.33	2.03	27.7	3.80	2.14

RQ94RD-030K

		OUTDOOR TEMPERATURE (Deg. F)																										
Indoor T.		5			10			17			20			30			40			47			50			60		
CFM	Deg.F	MBH	COP	K.W.	MBH	COP	K.W.	MBH	COP	K.W.	MBH	COP	K.W.	MBH	COP	K.W.	MBH	COP	K.W.	MBH	COP	K.W.	MBH	COP	K.W.	MBH	COP	K.W.
1050	60.00	12.4	1.93	1.88	14.2	2.16	1.92	16.7	2.47	1.98	17.7	2.59	2.00	21.7	3.08	2.07	26.5	3.58	2.16	30.4	3.96	2.25	31.9	4.08	2.29	14.2	2.16	1.92
	70.00	11.5	1.68	2.00	13.2	1.89	2.05	15.7	2.18	2.12	16.9	2.30	2.15	21.1	2.72	2.27	26.0	3.19	2.38	29.7	3.46	2.52	31.1	3.55	2.57	36.5	3.86	2.77
	80.00	10.2	1.42	2.10	11.8	1.60	2.15	14.4	1.89	2.24	15.5	2.00	2.27	19.5	2.38	2.41	24.4	2.81	2.54	27.8	3.04	2.68	29.1	3.10	2.75	34.4	3.35	3.01
1150	60.00	12.4	1.96	1.85	14.2	2.20	1.89	16.7	2.51	1.94	17.7	2.65	1.97	21.8	3.16	2.02	26.5	3.69	2.11	30.5	4.09	2.19	32.1	4.22	2.23	14.2	2.20	1.89
	70.00	11.5	1.70	1.97	13.2	1.92	2.02	15.8	2.22	2.08	16.9	2.35	2.11	21.1	2.79	2.23	26.0	3.27	2.33	29.8	3.55	2.46	31.2	3.62	2.52	36.7	3.99	2.70
	80.00	10.2	1.43	2.08	11.9	1.64	2.13	14.4	1.92	2.20	15.5	2.03	2.24	19.6	2.43	2.37	24.4	2.88	2.49	27.9	3.11	2.63	29.2	3.18	2.70	34.5	3.45	2.93
1250	60.00	12.3	2.00	1.81	14.1	2.24	1.85	16.7	2.57	1.90	17.8	2.71	1.93	21.8	3.24	1.97	26.6	3.79	2.06	30.7	4.22	2.13	32.2	4.36	2.17	14.1	2.24	1.85
	70.00	11.4	1.72	1.94	13.2	1.95	1.98	15.7	2.26	2.05	16.9	2.39	2.07	21.2	2.86	2.17	26.1	3.35	2.28	29.9	3.63	2.41	31.3	3.73	2.47	36.8	4.10	2.64
	80.00	10.1	1.45	2.04	11.8	1.65	2.09	14.4	1.95	2.17	15.5	2.06	2.20	19.6	2.48	2.32	24.4	2.93	2.44	28.0	3.18	2.58	29.5	3.27	2.64	34.7	3.53	2.88

RQ94RD-036K

		OUTDOOR TEMPERATURE (Deg. F)																										
Indoor T.		5			10			17			20			30			40			47			50			60		
CFM	Deg.F	MBH	COP	K.W.	MBH	COP	K.W.	MBH	COP	K.W.	MBH	COP	K.W.	MBH	COP	K.W.	MBH	COP	K.W.	MBH	COP	K.W.	MBH	COP	K.W.	MBH	COP	K.W.
1150	60.00	14.9	2.08	2.11	16.9	2.32	2.14	20.3	2.70	2.21	22.1	2.43	2.67	27.5	3.04	2.66	33.4	3.68	2.66	37.9	4.11	2.70	39.6	4.28	2.72	16.9	2.32	2.14
	70.00	13.5	1.72	2.29	15.4	1.94	2.33	18.4	2.27	2.38	20.2	2.45	2.42	25.9	2.93	2.59	31.4	3.38	2.73	35.4	3.73	2.78	36.7	3.88	2.77	40.5	4.27	2.78
	80.00	11.9	1.08	3.25	14.2	1.28	3.25	17.9	1.89	2.78	18.1	2.04	2.61	22.5	2.44	2.70	27.1	2.84	2.80	30.7	3.13	2.88	32.2	3.28	2.88	37.8	3.70	3.00
1250	60.00	15.2	2.09	2.14	17.2	2.32	2.17	20.7	2.70	2.24	22.3	2.40	2.73	27.7	2.99	2.72	33.6	3.62	2.72	38.3	4.10	2.74	39.9	4.25	2.75	17.2	2.31	2.18
	70.00	13.8	1.73	2.33	15.7	1.95	2.36	18.7	2.27	2.41	20.5	2.45	2.45	26.2	2.92	2.62	31.8	3.39	2.75	35.8	3.77	2.78	37.2	3.94	2.76	41.1	4.34	2.77
	80.00	12.2	1.08	3.32	14.4	1.27	3.32	18.1	1.87	2.84	18.4	2.05	2.64	22.8	2.46	2.72	27.5	2.87	2.81	31.2	3.17	2.89	32.7	3.33	2.88	38.3	3.75	2.99
1350	60.00	15.5	2.07	2.20	17.5	2.30	2.23	21.0	2.69	2.29	22.5	2.36	2.80	28.0	2.94	2.79	33.9	3.57	2.78	38.5	4.03	2.80	40.3	4.20	2.81	17.5	2.30	2.23
	70.00	14.1	1.74	2.38	16.0	1.94	2.42	19.0	2.27	2.46	20.8	2.44	2.50	26.4	2.90	2.68	32.1	3.36	2.80	36.2	3.77	2.81	37.6	3.96	2.79	41.7	4.38	2.79
	80.00	12.4	1.07	3.40	14.6	1.26	3.40	18.3	1.84	2.92	18.8	2.04	2.69	23.2	2.46	2.76	27.9	2.88	2.84	31.7	3.18	2.91	33.2	3.35	2.91	38.8	3.79	3.01

RQ94RD-042K

		OUTDOOR TEMPERATURE (Deg. F)																										
Indoor T.		5			10			17			20			30			40			47			50			60		
CFM	Deg.F	MBH	COP	K.W.	MBH	COP	K.W.	MBH	COP	K.W.	MBH	COP	K.W.	MBH	COP	K.W.	MBH	COP	K.W.	MBH	COP	K.W.	MBH	COP	K.W.	MBH	COP	K.W.
1450	60.00	18.2	1.91	2.80	20.6	2.12	2.84	24.1	2.43	2.91	25.7	2.57	2.93	31.5	3.09	2.99	38.2	3.59	3.12	43.6	3.94	3.24	45.9	4.07	3.31	20.6	2.12	2.84
	70.00	16.8	1.62	3.05	19.2	1.82	3.10	22.7	2.11	3.16	24.3	2.23	3.20	30.6	2.74	3.28	37.6	3.19	3.45	43.3	3.49	3.64	45.5	3.58	3.72	53.1	3.92	3.97
	80.00	15.1	1.34	3.30	17.5	1.53	3.36	21.0	1.79	3.43	22.5	1.91	3.47	28.7	2.37	3.55	35.4	2.77	3.75	41.0	3.04	3.95	42.9	3.12	4.03	50.8	3.42	4.36
1600	60.00	17.9	1.98	2.66	20.2	2.19	2.70	23.8	2.53	2.76	25.4	2.68	2.78	31.2	3.24	2.83	38.1	3.79	2.95	43.5	4.17	3.06	45.9	4.32	3.12	20.2	2.19	2.70
	70.00	16.5	1.66	2.91	18.9	1.87	2.95	22.4	2.18	3.02	24.1	2.32	3.04	30.4	2.86	3.12	37.4	3.35	3.28	43.2	3.67	3.45	45.4	3.77	3.53	53.0	4.14	3.75
	80.00	14.8	1.37	3.17	17.2	1.57	3.22	20.7	1.85	3.28	22.3	1.97	3.31	28.4	2.46	3.39	35.2	2.90	3.57	40.8	3.19	3.75	43.0	3.28	3.84	50.7	3.60	4.13
1750	60.00	17.5	2.05	2.50	19.7	2.28	2.53	23.4	2.65	2.59	25.0	2.81	2.61	30.8	3.41	2.65	37.8	4.01	2.76	43.5	4.44	2.87	45.7	4.59	2.92	19.8	2.29	2.53
	70.00	16.1	1.71	2.75	18.5	1.94	2.79	22.0	2.27	2.85	23.6	2.41	2.87	30.0	2.99	2.94	37.2	3.53	3.09	42.9	3.87	3.25	45.2	3.97	3.34	53.1	4.40	3.54
	80.00	14.4	1.40	3.01	16.8	1.61	3.05	20.3	1.91	3.11	21.9	2.04	3.14	28.1	2.56	3.21	35.0	3.04	3.38	40.4	3.33	3.55	4					

HEAT PUMP HEATING EXPANDED RATINGS (CONTINUED)

RQ94RD-048K

		OUTDOOR TEMPERATURE (Deg. F)																										
	Indoor T.	5			10			17			20			30			40			47			50			60		
CFM	Deg.F	MBH	COP	K.W.	MBH	COP	K.W.	MBH	COP	K.W.	MBH	COP	K.W.	MBH	COP	K.W.	MBH	COP	K.W.	MBH	COP	K.W.	MBH	COP	K.W.	MBH	COP	K.W.
1350	60.00	17.5	1.72	2.99	20.7	1.99	3.05	26.6	2.43	3.21	29.9	2.43	3.60	37.8	3.02	3.67	46.2	3.53	3.84	52.5	3.93	3.92	55.3	4.06	3.99	20.7	1.99	3.05
	70.00	15.1	1.38	3.22	18.2	1.62	3.28	23.5	2.01	3.42	26.1	2.19	3.51	34.6	2.67	3.80	42.7	3.07	4.07	48.7	3.46	4.13	50.9	3.58	4.17	56.6	3.91	4.24
	80.00	13.8	0.95	4.24	17.4	1.20	4.26	22.4	1.68	3.91	22.8	1.79	3.74	28.7	2.17	3.88	35.3	2.54	4.08	41.3	2.91	4.15	43.3	3.01	4.21	51.1	3.36	4.45
1500	60.00	17.7	1.74	2.99	20.9	2.01	3.04	26.7	2.46	3.19	30.1	2.42	3.64	38.0	3.03	3.67	46.6	3.61	3.79	53.0	4.04	3.85	55.8	4.19	3.91	20.9	2.01	3.04
	70.00	15.3	1.39	3.22	18.4	1.65	3.28	23.7	2.04	3.40	26.4	2.23	3.48	35.0	2.72	3.77	43.1	3.15	4.01	49.3	3.57	4.05	51.5	3.70	4.08	57.4	4.08	4.12
	80.00	13.8	0.94	4.30	17.4	1.19	4.32	22.5	1.68	3.93	23.0	1.82	3.72	29.0	2.21	3.84	35.8	2.61	4.02	41.8	3.00	4.08	43.9	3.11	4.13	51.9	3.50	4.34
1650	60.00	17.9	1.75	3.00	21.1	2.03	3.05	27.1	2.50	3.19	30.1	2.39	3.68	38.1	3.02	3.69	46.9	3.64	3.77	53.4	4.11	3.81	56.3	4.27	3.86	21.1	2.03	3.05
	70.00	15.5	1.41	3.23	18.6	1.66	3.28	24.0	2.07	3.40	26.7	2.25	3.47	35.1	2.75	3.75	43.4	3.20	3.98	49.7	3.65	3.99	52.0	3.80	4.01	58.1	4.22	4.04
	80.00	13.8	0.93	4.36	17.5	1.17	4.37	22.6	1.67	3.98	23.3	1.84	3.71	29.3	2.25	3.82	36.2	2.67	3.98	42.3	3.08	4.03	44.4	3.19	4.08	52.5	3.61	4.27

RQ94RD-060K

		OUTDOOR TEMPERATURE (Deg. F)																										
	Indoor T.	5			10			17			20			30			40			47			50			60		
CFM	Deg.F	MBH	COP	K.W.	MBH	COP	K.W.	MBH	COP	K.W.	MBH	COP	K.W.	MBH	COP	K.W.	MBH	COP	K.W.	MBH	COP	K.W.	MBH	COP	K.W.	MBH	COP	K.W.
1500	60.00	23.4	1.91	3.60	27.2	2.17	3.68	34.7	2.61	3.90	39.8	2.73	4.28	49.2	3.25	4.44	59.1	3.66	4.73	66.8	3.92	4.99	69.5	4.00	5.10	27.2	2.17	3.68
	70.00	20.4	1.55	3.87	24.0	1.78	3.96	30.7	2.16	4.16	34.0	2.33	4.28	45.3	2.86	4.64	55.2	3.19	5.07	61.9	3.44	5.28	64.1	3.52	5.34	69.7	3.76	5.44
	80.00	20.23	1.18	5.01	24.6	1.43	5.04	30.2	1.87	4.74	29.5	1.90	4.56	37.3	2.33	4.69	45.4	2.67	4.98	51.7	2.90	5.23	54.1	2.98	5.32	63.2	3.25	5.70
1700	60.00	23.7	1.94	3.59	27.5	2.21	3.65	34.9	2.66	3.85	39.8	2.71	4.31	50.0	3.34	4.39	59.7	3.79	4.62	67.7	4.10	4.84	70.4	4.20	4.92	27.5	2.21	3.65
	70.00	20.2	1.54	3.85	24.6	1.83	3.94	30.9	2.20	4.11	34.3	2.38	4.22	45.5	2.93	4.55	55.7	3.32	4.92	62.6	3.60	5.10	64.8	3.69	5.15	71.0	3.98	5.23
	80.00	20.4	1.17	5.08	25.1	1.46	5.03	30.3	1.88	4.73	30.0	1.95	4.51	37.7	2.39	4.61	45.9	2.77	4.87	52.6	3.03	5.09	55.0	3.12	5.17	64.3	3.42	5.51
1900	60.00	24.0	1.96	3.59	28.0	2.24	3.65	35.3	2.70	3.83	40.0	2.74	4.28	49.8	3.29	4.44	60.6	3.89	4.57	68.1	4.17	4.78	71.1	4.33	4.81	27.8	2.23	3.65
	70.00	20.8	1.58	3.86	24.6	1.84	3.93	31.3	2.24	4.09	34.6	2.42	4.19	46.1	2.99	4.52	56.5	3.41	4.86	63.4	3.70	5.02	65.5	3.82	5.02	71.9	4.16	5.07
	80.00	20.5	1.16	5.16	24.9	1.42	5.16	30.8	1.91	4.73	30.1	1.97	4.47	38.1	2.45	4.57	46.6	2.85	4.80	53.3	3.13	5.00	55.7	3.22	5.07	65.4	3.57	5.37



GENERAL TERMS OF LIMITED WARRANTY

For complete details of the Limited Warranty, including applicable terms and conditions, see your local installer or contact the warranty department for a copy.

Before purchasing this appliance, read important energy cost and efficiency information available from your retailer. Specifications and illustrations subject to change without notice and without incurring obligations. Printed in U.S.A (08/2022)